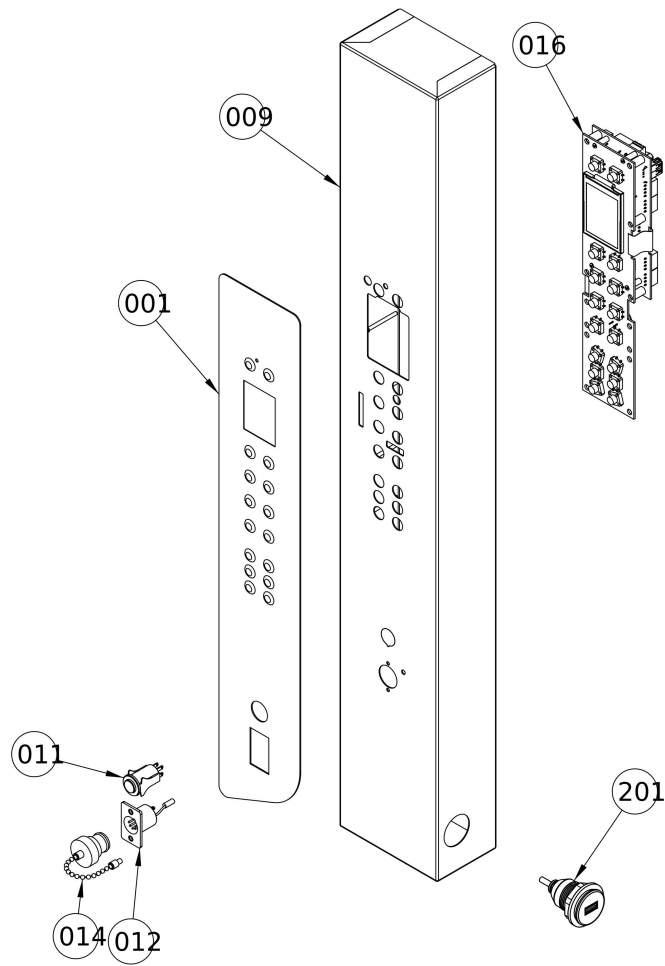
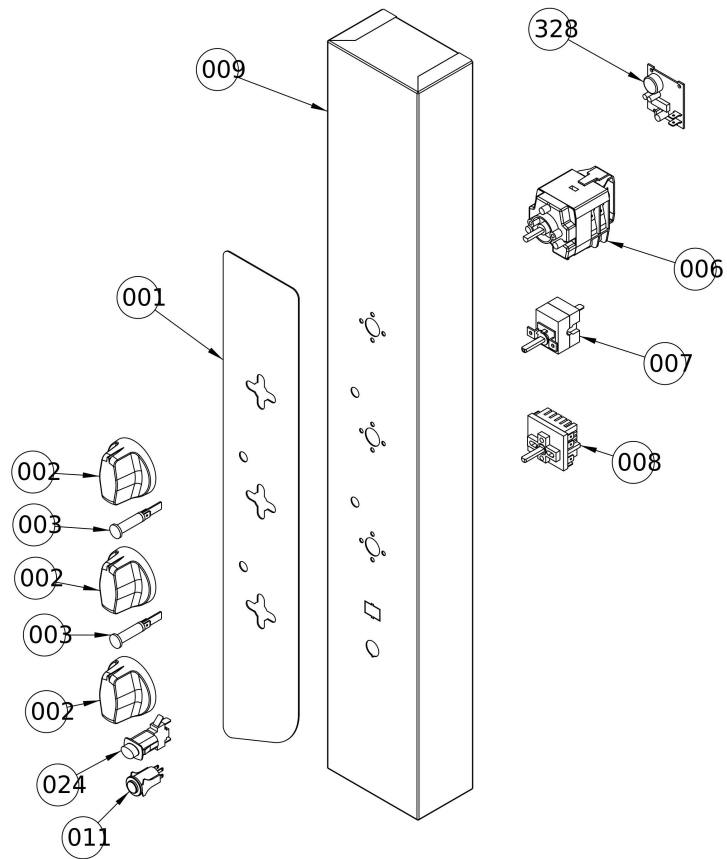


Index

| | |
|---------------------------------------|----|
| Digital frontal panel | 2 |
| Mechanical frontal panel | 4 |
| Electrical box | 6 |
| Door | 8 |
| Oven body | 10 |
| Cooking chamber | 12 |
| Internal accessories | 14 |

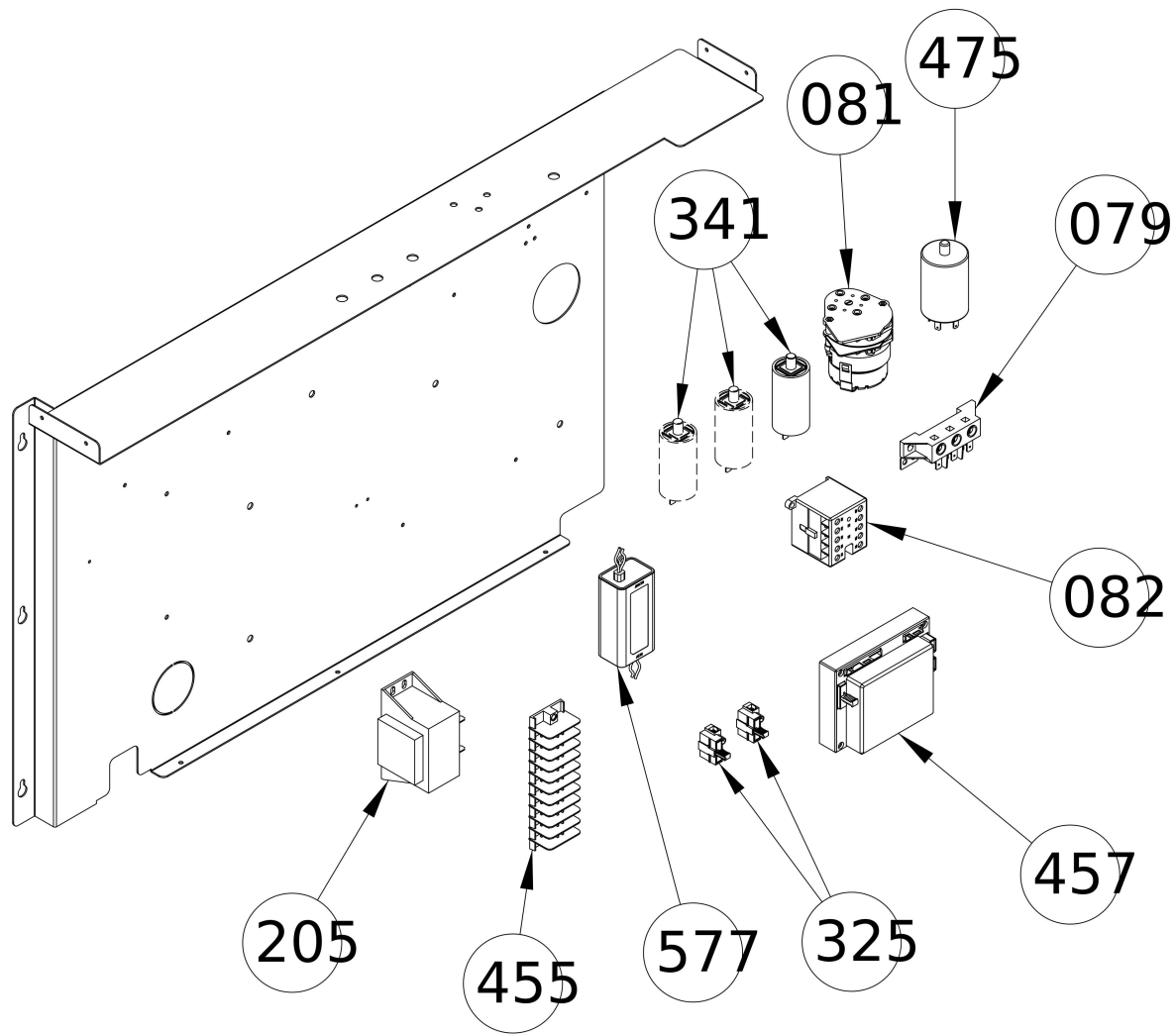


| # | Code | Description | Specification | UM | Qty |
|-----|-------------|-----------------------------------|--------------------|----|-----|
| 001 | TBC-FRO* | FRONTAL STICKER | To order share s/n | pz | 1 |
| 009 | TBC-CRU | OVEN FRONTAL PANEL | To order share s/n | pz | 1 |
| 011 | 20PUL00016 | RED LIGHT BUTTON ?19-12 220V NO | | pz | 1 |
| 012 | 020CNT0001 | PANEL PLUG SOCKET 6 POLES FLANGED | | pz | 1 |
| 014 | 040TAP00012 | TAP+CHAIN FOR PLUG SOCKET | | pz | 1 |
| 016 | 20SCH00072 | DIGITAL BOARD DISPLAY 2.4" | | pz | 1 |
| 201 | 020CNT0020 | USB PLUG COMPLETE | | pz | 1 |



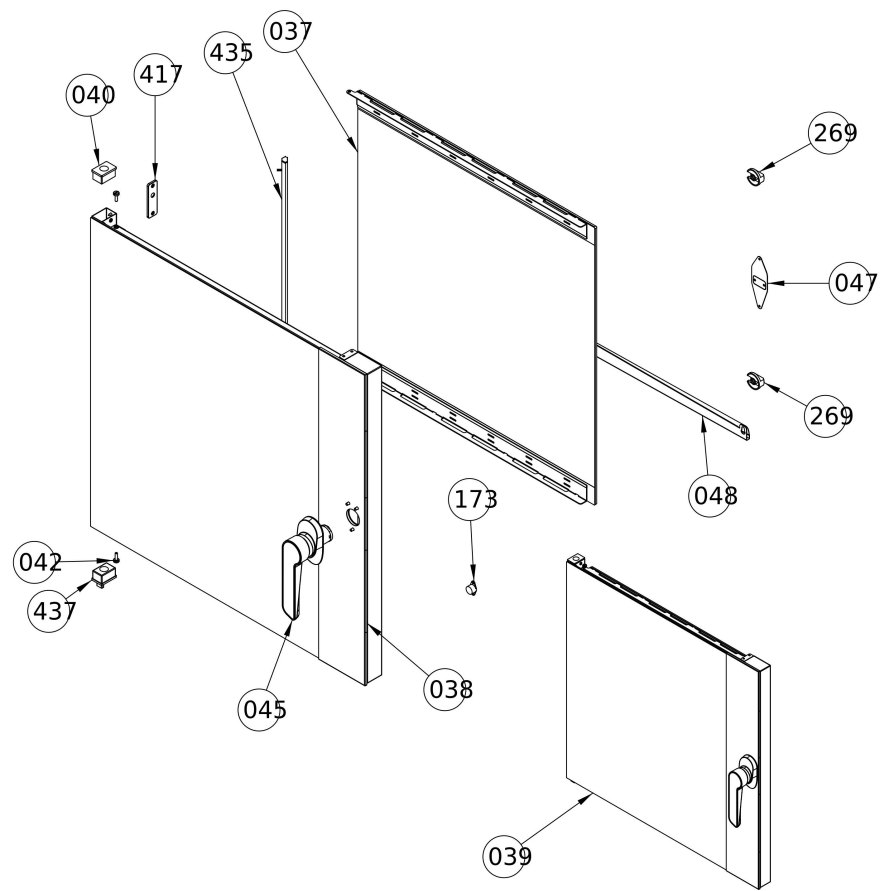
Mechanical frontal panel

| # | Code | Description | Specification | UM | Qty |
|-----|------------|------------------------------------|--------------------|----|-----|
| 001 | TBC-FRO* | FRONTAL STICKER | To order share s/n | pz | 1 |
| 002 | 40MAN00015 | ENCODER KNOB | | pz | 3 |
| 003 | 020LSP0004 | ORANGE LIGHT | | pz | 2 |
| 006 | 020TMR0001 | LINEAR TIMER | | pz | 1 |
| 006 | 020TMR0002 | TIMER LOGARITMIC FOR LIDO/GIUDECCA | | pz | 1 |
| 007 | 020TER0001 | CHAMBER THERMOSTAT | | pz | 1 |
| 008 | 020RDE0001 | HUMIDIFICATION TIMED SWITCH | | pz | 1 |
| 009 | TBC-CRU | OVEN FRONTAL PANEL | To order share s/n | pz | 1 |
| 011 | 20PUL00016 | RED LIGHT BUTTON ?19-12 220V NO | | pz | 1 |
| 024 | 020DEV0001 | 2 SPEED ELECTRIC DIVERTER | | pz | 1 |
| 328 | 020SCH0016 | BUZZER ELECTRONIC BOARD | | pz | 1 |



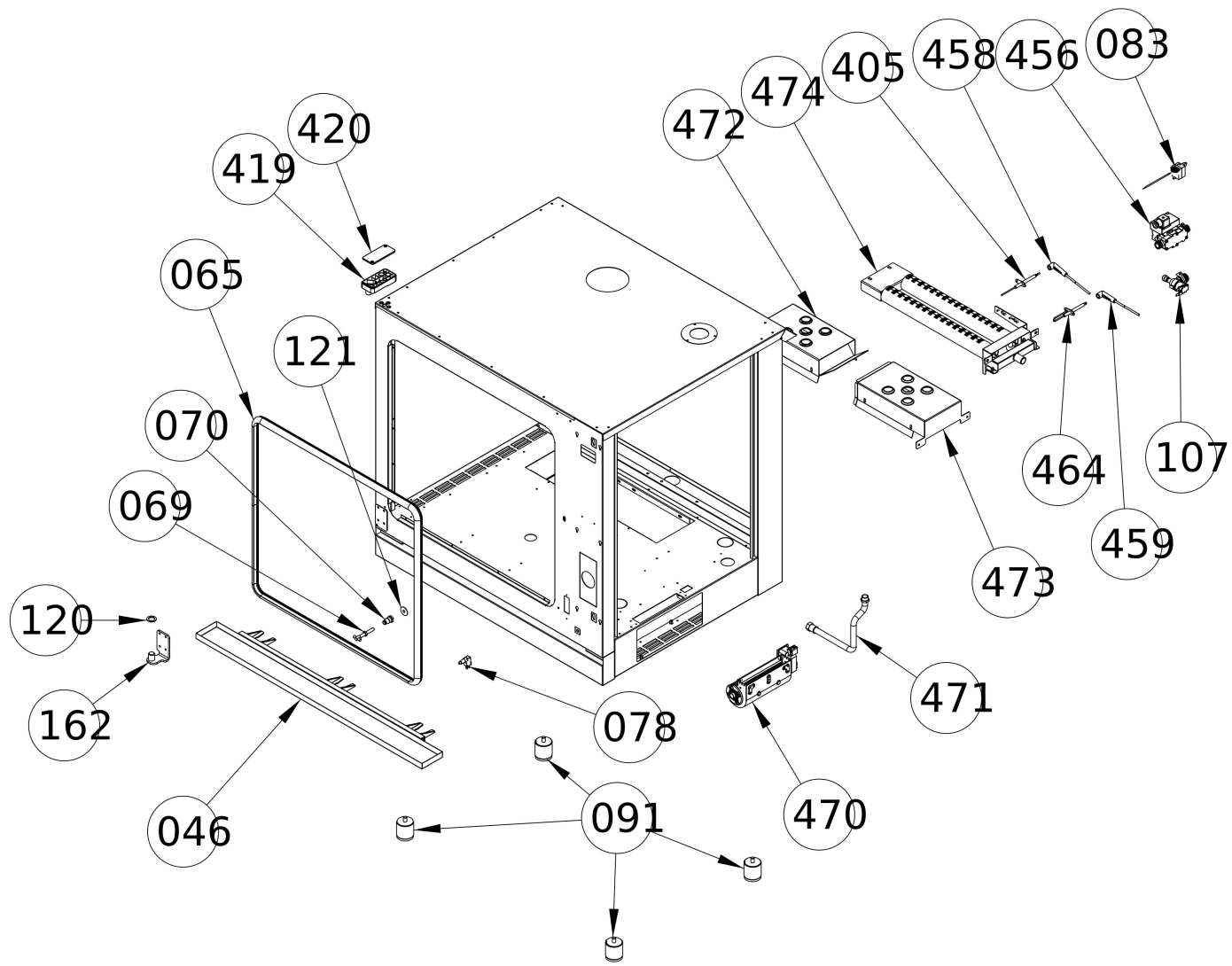
Electrical box

| # | Code | Description | Specification | UM | Qty |
|-----|------------|----------------------------------|--------------------|----|-----|
| 079 | 020MOR0003 | TERMINAL BLOCK | | pz | 1 |
| 081 | 020PRC0001 | MOTOR DIRECTION TIMED SWITCH | | pz | 1 |
| 082 | 020TEL0004 | BRAKER | | pz | 1 |
| 205 | 020TRS0001 | TRANSFORMER | | pz | 1 |
| 325 | 20PUL00012 | FUSE RACK | | pz | 2 |
| 341 | TBC-COND | CAPACITOR | To order share s/n | pz | 2 |
| 455 | 020MOR0008 | TERMINAL BLOCK 10 POLES FASTON | | pz | 1 |
| 457 | 63FCN00001 | GAS FLAME CONTROL NDM31 CAM10568 | | pz | 1 |
| 475 | TBC-FIL | EMC FILTER | To order share s/n | pz | 1 |
| 577 | 20ALM00004 | POWER SUPPLIER 16,8W | | pz | 1 |



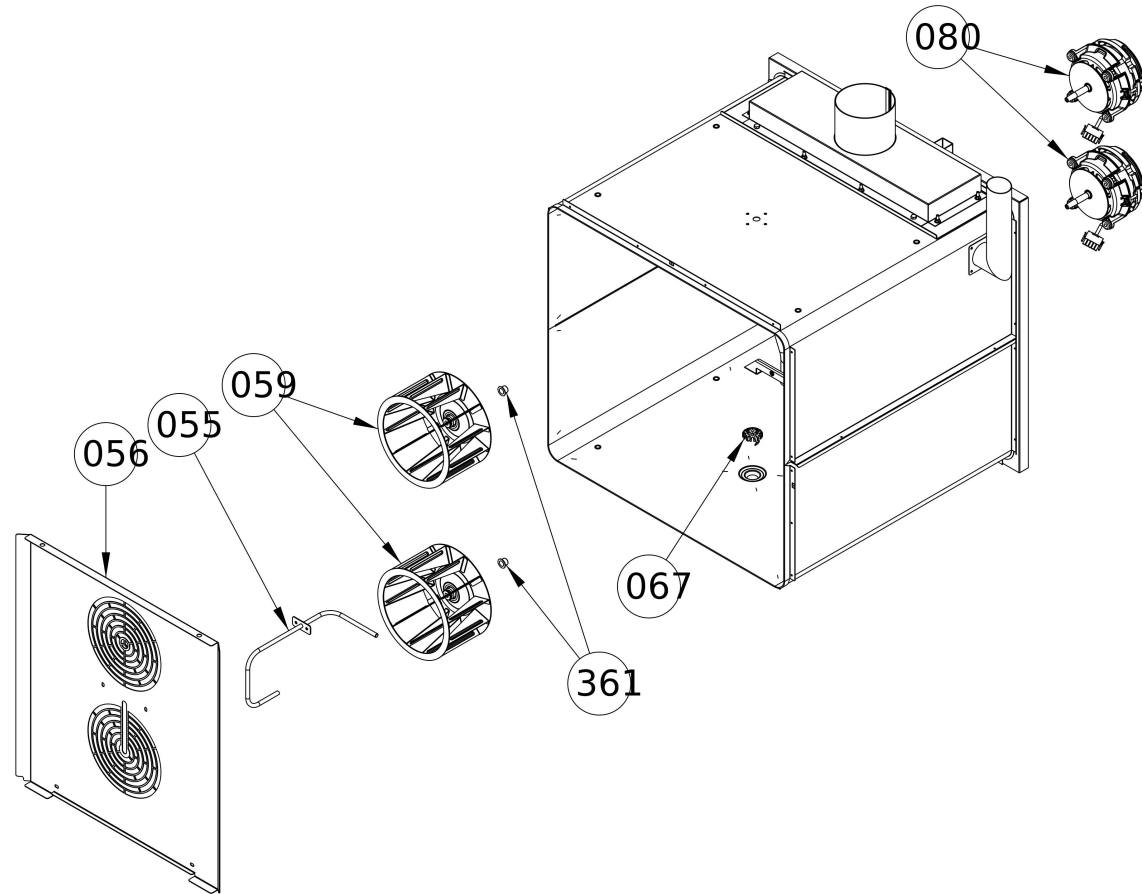
Door

| # | Code | Description | Specification | UM | Qty |
|-----|-----------------|--------------------------------|--------------------|----|-----|
| 037 | 85AVI00002 | INTERNAL GLASS ASSY | | pz | 1 |
| 038 | TBC-85AVE00003* | EXTERNAL GLASS | To order share s/n | pz | 1 |
| 039 | TBC-85PTA00056* | DOOR SQ06-07 | To order share s/n | pz | 1 |
| 040 | 040TAP00001 | BLACK CAP | | pz | 1 |
| 042 | 70VIT029 | DOOR ROTATION SCREW | | pz | 2 |
| 045 | 60MAG00013 | HANDLE | | pz | 1 |
| 047 | 10PIAA10SAA012 | HANDLE PLATE | | pz | 1 |
| 048 | 10VAS006 | DROPS COLLECTOR TRAY | | pz | 1 |
| 173 | 60MGNSN002 | DOOR SENSOR MAGNET | | pz | 1 |
| 269 | 040MAN00010 | INTERNAL GLASS BLOCKING KNOB | | pz | 2 |
| 417 | 40DIS00014 | MAGNETIC SENSOR PLATE | | pz | 1 |
| 435 | 020LED0002 | LAM LED PT 6T CR530OP4 L=565MM | | pz | 1 |
| 437 | 040TAP00025 | BOTTOM DOOR CAP | | pz | 1 |



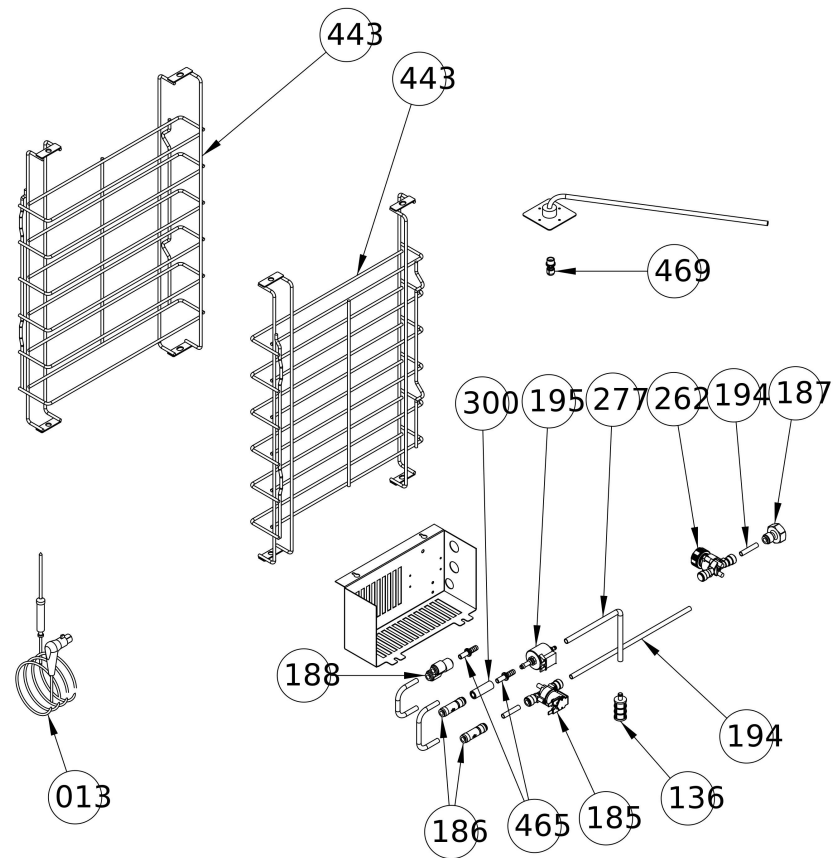
Oven body

| # | Code | Description | Specification | UM | Qty |
|-----|----------------|--|---------------------------|----|-----|
| 046 | 85VAS00012 | CONDENSATE TRAY | | pz | 1 |
| 065 | 040GUA00002 | DOOR GASKET COMBISTEAMER | | cm | 260 |
| 069 | 60NASAI001 | HANDLE STUD L70MM | | pz | 1 |
| 070 | 60PERAI003 | HANDLE PIVOT RCB-RCG | | pz | 1 |
| 078 | 020PUL0002 | MICRO SWITCH | | pz | 1 |
| 083 | 020TER0007 | SAFETY THERMAL SWITCH | | pz | 1 |
| 091 | 50PIEAI002 | OVEN FEET H50 | | pz | 4 |
| 107 | 20ELE00014 | SOLENOID VALVE | | pz | 1 |
| 120 | 10PIAA20NAA010 | DOOR SPACER RING | | pz | 1 |
| 121 | 10PIAA10SAA013 | DOOR LOCK PLATE | | pz | 1 |
| 162 | 85CER00008 | BOTTOM HINGE | | pz | 1 |
| 405 | 020ELT00002 | FLAME CONTROL ELECTRODE | | pz | 1 |
| 419 | 40CER00001 | TOP HINGE | | pz | 1 |
| 420 | 40CER00002 | TOP HINGE COVER | | pz | 1 |
| 456 | 63VLV00002 | MULTIFUNCTION GAS ELECTROVALVE GVK12 | | pz | 1 |
| 458 | 180CAV026 | CONNECTOR FOR FLAME CONTROL ELECTRODE | | pz | 1 |
| 459 | 180CAV027 | CONNECTOR FOR IGNITION SPARK ELECTRODE | | pz | 1 |
| 464 | 020ELT00001 | IGNITION SPARK ELECTRODE | | pz | 1 |
| 470 | 20VNT00001 | CROSS-FLOW FAN TG6 180 | | pz | 1 |
| 471 | 50GAS00011 | GAS PIPE | | pz | 1 |
| 472 | 85BRU00004 | BURNER COVER | | pz | 1 |
| 473 | 10TBA00004 | BRUNER COVER | | pz | 1 |
| 474 | 85BRU00002* | FIXING PLATE ASSEMBLY FOR SQG ATM | To order please specif... | pz | 1 |



Cooking chamber

| # | Code | Description | Specification | UM | Qty |
|-----|------------|---------------------------------------|---------------|----|-----|
| 055 | 85TBA00044 | HUMIDIFICATION PIPE | | pz | 1 |
| 056 | 10DEF00047 | AIR DEFLECTOR SQ06G-SQ07G | | pz | 1 |
| 059 | 60VEN00021 | FAN | | pz | 2 |
| 067 | 85PIA00003 | PLATE | | pz | 1 |
| 080 | 20MOT00035 | MOT.MFA80H25 1SPEED CONE SHAFT ?12 M6 | | pz | 2 |
| 361 | 40BOC00012 | FLANGE BEARING ?12 INT. ZFM-1214-12 | | pz | 2 |



| # | Code | Description | Specification | UM | Qty |
|-----|-------------|-----------------------------------|--------------------|----|-----|
| 013 | 020SON0003 | CORE PROBE TCJ + PLUG | | pz | 1 |
| 136 | 40FIL00004 | DETERGENT FILTER | | pz | 1 |
| 185 | 020ELE0004 | SELF CLEAN SOLENOID VALVE | | pz | 1 |
| 186 | 040RAC00005 | CHECK VALVE IN/OUT JG 8MM 5/16SCV | | pz | 2 |
| 187 | 040RAC00006 | JG8-3/4G JOINT | | pz | 1 |
| 188 | 040RAC00003 | Y JOINT 5/16 | | pz | 1 |
| 194 | 30TUBP80007 | PLASTIC PIPE 8X6 | | cm | 300 |
| 195 | 20PMP00004 | MICROPUMP 220V/60 HZ | | pz | 1 |
| 262 | 040FIL002 | WATER FILTER | | pz | 1 |
| 277 | 30TUBPVC003 | PLASTIC WATER PIPE PVC 6X9 | | cm | 100 |
| 300 | 30TBG00004 | HT DETERGENTE PIPE 8X15 BLUE | | pz | 5 |
| 443 | TBC-GRI | TRAYS HOLDER | To order share s/n | pz | 2 |
| 465 | 40RAC00034 | PIPE HOSE 8-8 | | pz | 2 |
| 469 | 60UGE00003 | SELF CLEANING NOZZLE | | pz | 1 |