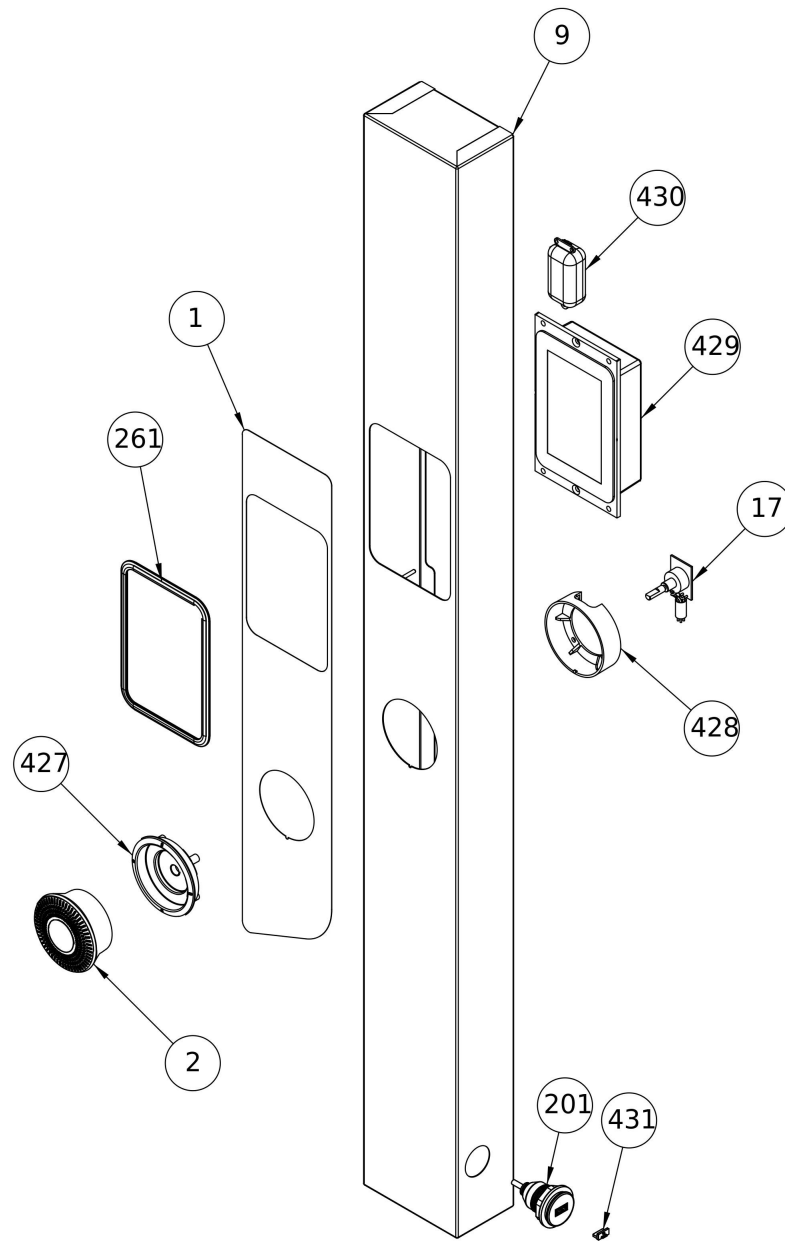


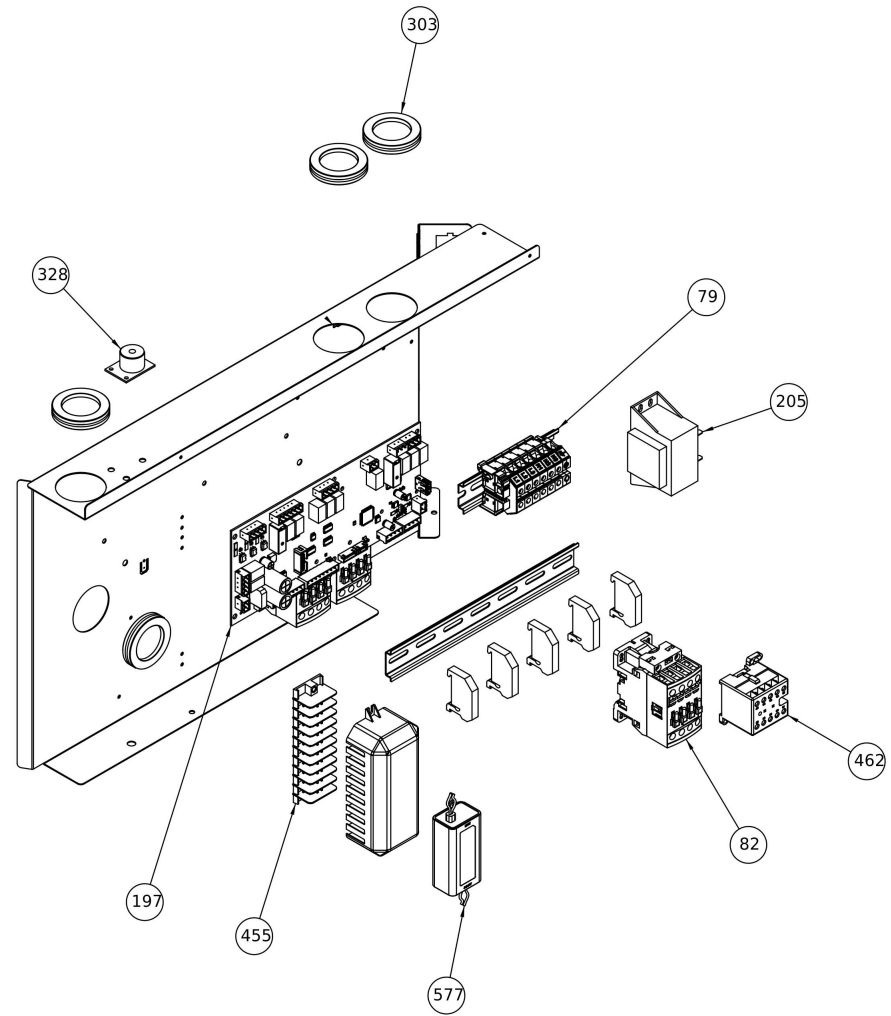
# Index

<b>DASHBOARD PANEL</b> .....	2
<b>Electrical box</b> .....	4
<b>Oven body</b> .....	6
<b>Cooking chamber</b> .....	8
<b>Internal accessories</b> .....	10
<b>Door</b> .....	12
<b>All glass door</b> .....	14



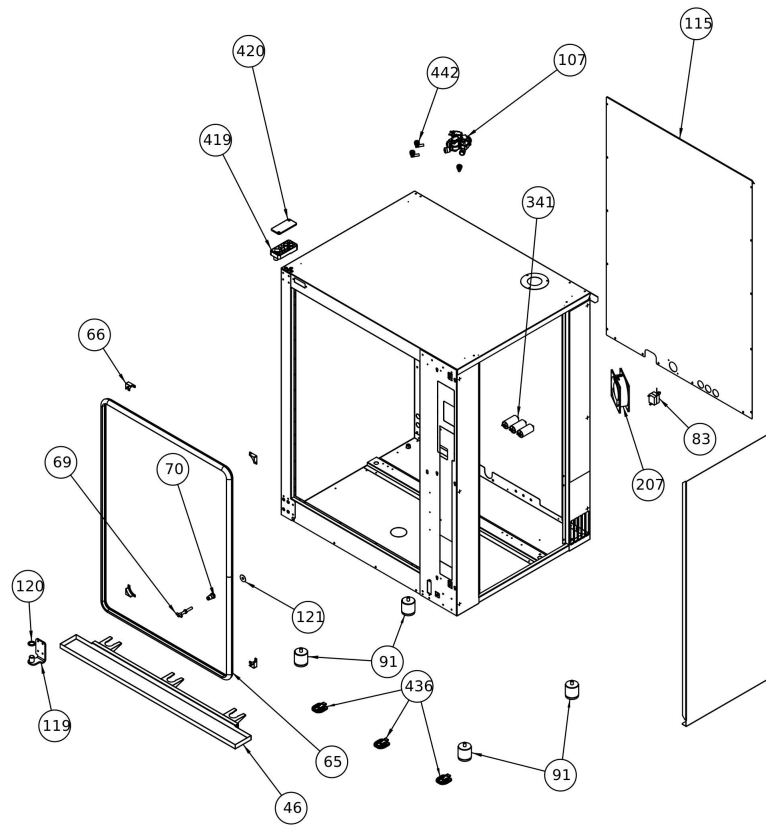
DASHBOARD PANEL

#	Code	Description	Specification	UM	Qty
1	TBC-FRO*	FRONTAL STICKER	To order share s/n	pz	1
2	TBC-MAN	KNOB	To order share s/n	pz	1
9	TBC-CRU	OVEN FRONTAL PANEL	To order share s/n	pz	1
17	020SCH0006	PC BOARD ENCODER.1		pz	1
201	020CNT0020	USB PLUG COMPLETE		pz	1
261	040GUA00018	DISPLAY GASKET		pz	1
427	40MAN00017	KNOB BASE		pz	1
428	40MAN00018	ENCODER PROTECTION		pz	1
429	020SCH0036	HMI 5" VERT. VCOLOR 318M		pz	1
430	020SCH0037	MODULE WIFI		pz	1
431	040TAP00023	USB COVER		pz	1



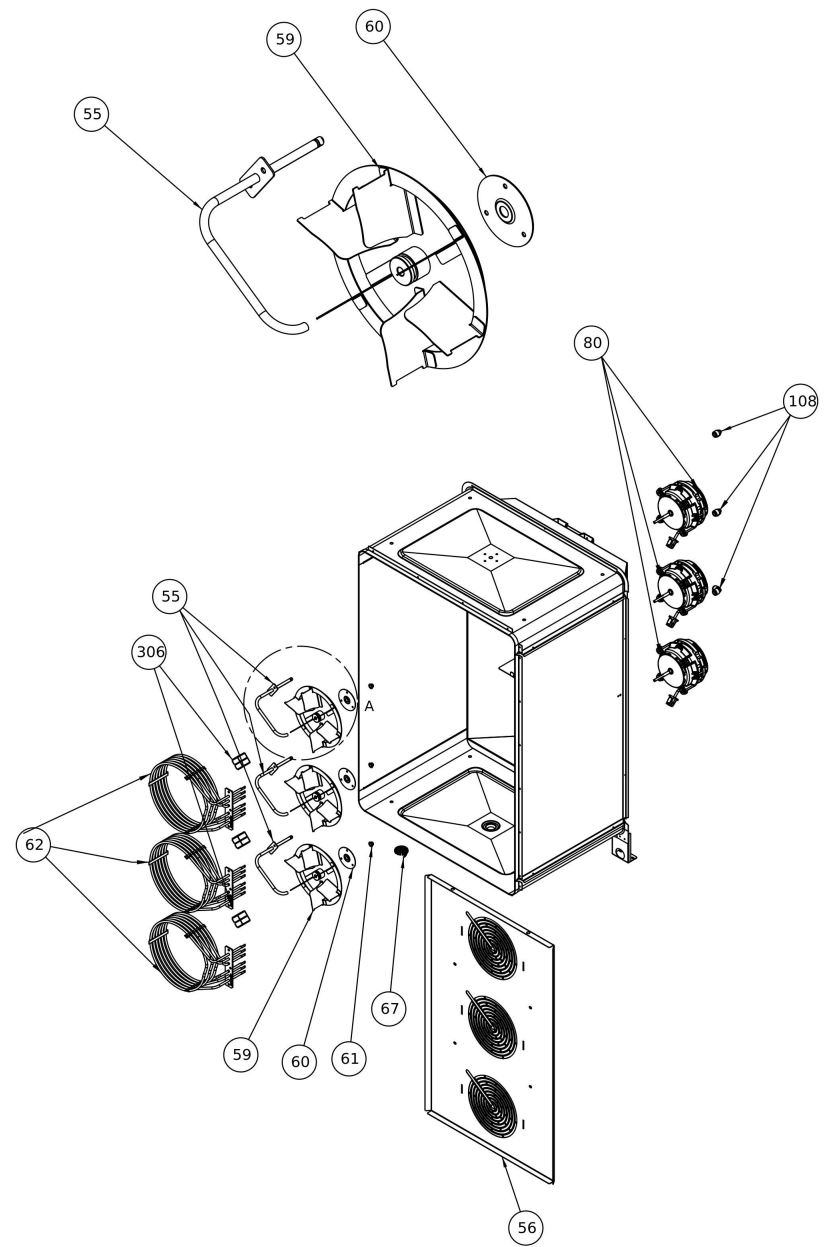
Electrical box

#	Code	Description	Specification	UM	Qty
79	020MOR0004	MAIN TERMINAL BLOCK KLEMSAN		pz	1
82	020TEL0003	BRAKER 4POLES 230V 25A (6500W HEATERS)		pz	3
197	020SCH0035	POWER BOARD 31 I/O 12VAC/DC 8XPT1000 5"		pz	1
205	020TRS0001	TRANSFORMER		pz	1
303	040PPC00007	WIRING PLASTIC CONNECTOR		pz	4
328	020SCH0010_C	ESPANSIONE BUZZER		pz	1
455	020MOR0008	TERMINAL BLOCK 10 POLES FASTON		pz	1
462	020TEL0004	BRAKER		pz	1
577	20ALM00004	POWER SUPPLIER 16,8W		pz	1



Oven body

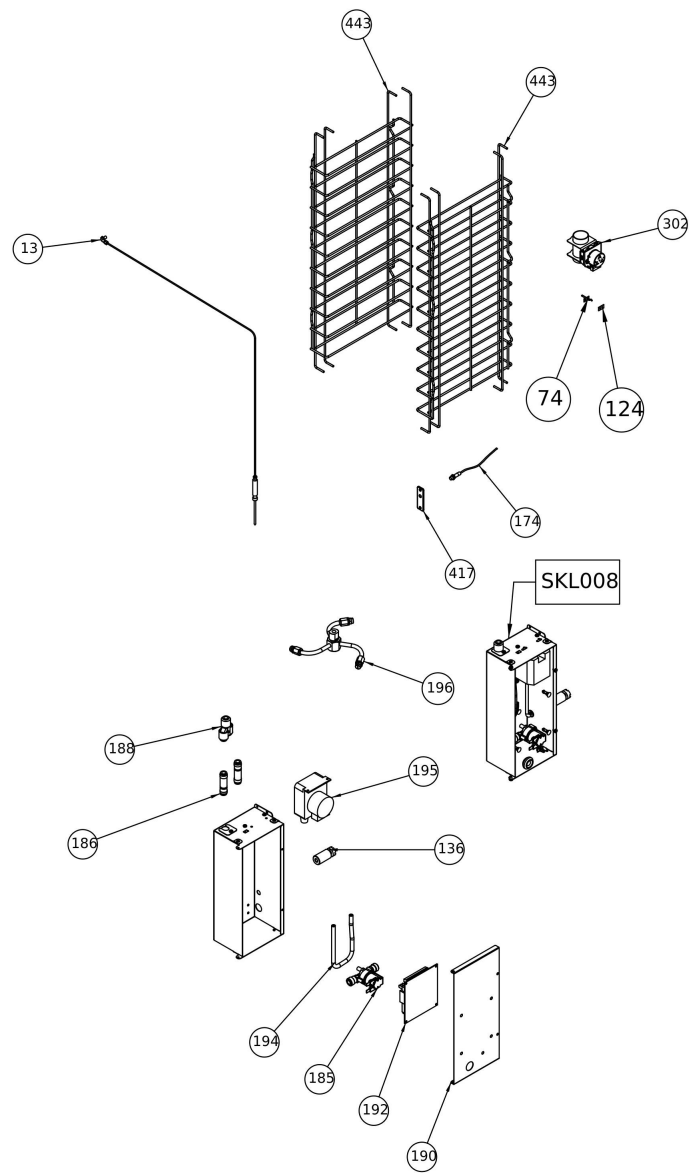
#	Code	Description	Specification	UM	Qty
46	10VAS00059	COLLECT DROP (DOOR)		pz	1
65	040GUA00002	DOOR GASKET COMBISTEAMER		cm	330
66	040ANG00002	DOOR GASKET ANGLE SUPPORT		pz	4
69	60NASAI001	HANDLE STUD L70MM		pz	1
70	60PERAI003	HANDLE PIVOT RCB-RCG		pz	1
83	020TER0007	SAFETY THERMAL SWITCH		pz	1
91	50PIEAI002	OVEN FEET H50		pz	4
107	020ELE0003	THREE-WAY SOLENOID VALVE REDUCER BROWN		pz	1
115	10SCE00041	OVEN BACKSIDE		pz	1
119	10CER00021	LOWER HINGE		pz	1
120	10PIAA20NAA010	DOOR SPACER RING		pz	1
121	10PIAA10SAA013	DOOR LOCK PLATE		pz	1
207	020MOT0009	AXIAL MOTOR		pz	1
341	020CND00001	CAPACITOR 6,3 ?F		pz	3
419	40CER00001	TOP HINGE		pz	1
420	40CER00002	TOP HINGE COVER		pz	1
436	40DIS00011	CONDENSATE TRAY OVEN SIDE SUPPORT		pz	3
442	40RAC00029	90° JOINT W/STRAIGHT PIPE 5/16MM		pz	3



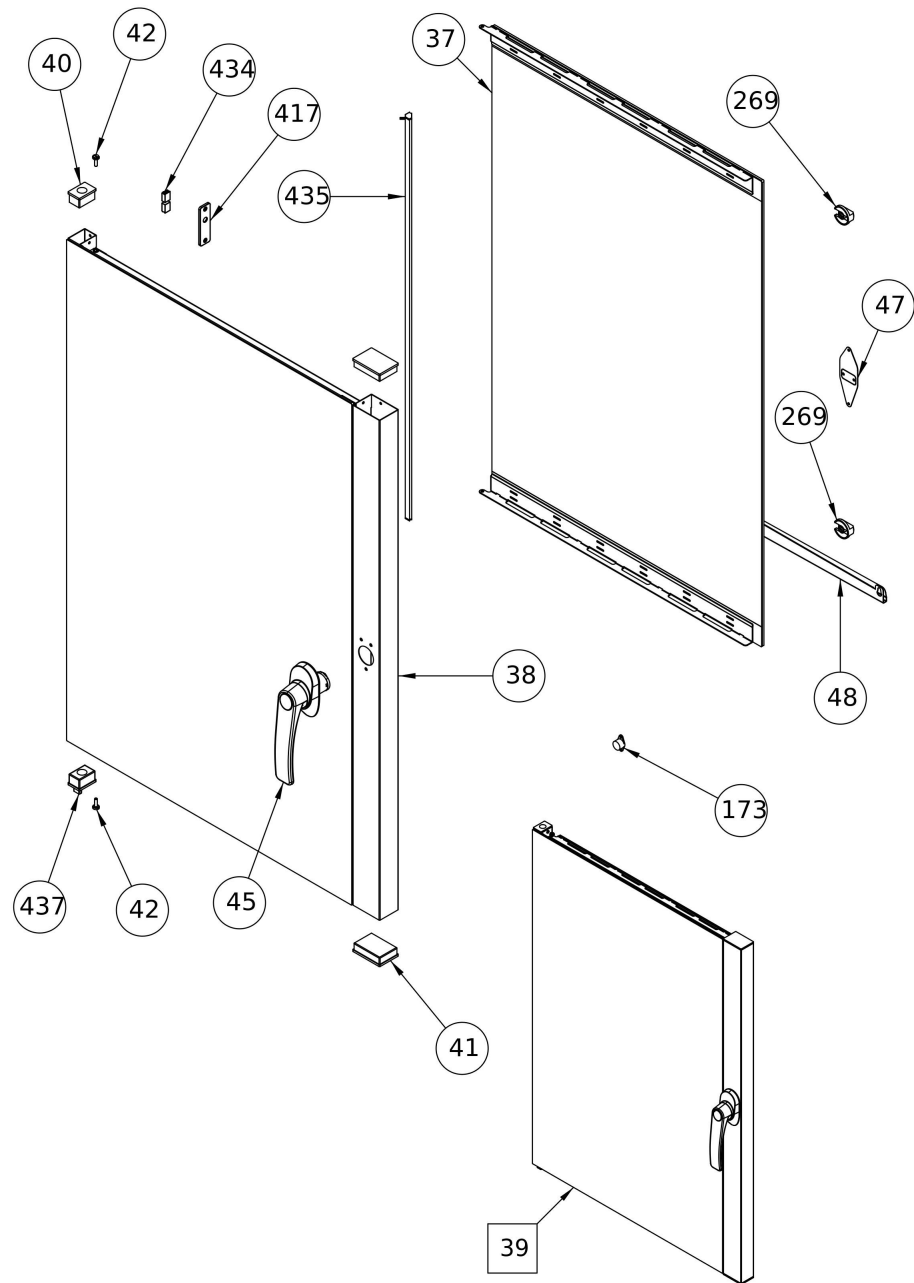
Cooking chamber



#	Code	Description	Specification	UM	Qty
55	85TBA00017	HUMIDIFICATION PIPE		pz	3
56	10DEF00034	AIR DEFLECTOR		pz	1
59	60VENAI013	FAN 200X61 AIRTEK 2.0		pz	3
60	10PIAA10LAA009	PLATE FOR MOTOR		pz	3
61	040BOC00006	CRANKSHAFT BUSH		pz	3
62	20RES00041	HEATER 5KW 230V 6 COILS		pz	3
67	85PIA00003	PLATE		pz	1
80	020MOT0029	MOT. INV. MLC80 2/4 POLI 230V 50/60HZ M		pz	3
108	040RAC00001	PLASTIC JUNCTION		pz	3
306	10PIA00014	HUMIDIFICATION DROP BRAKER		pz	3

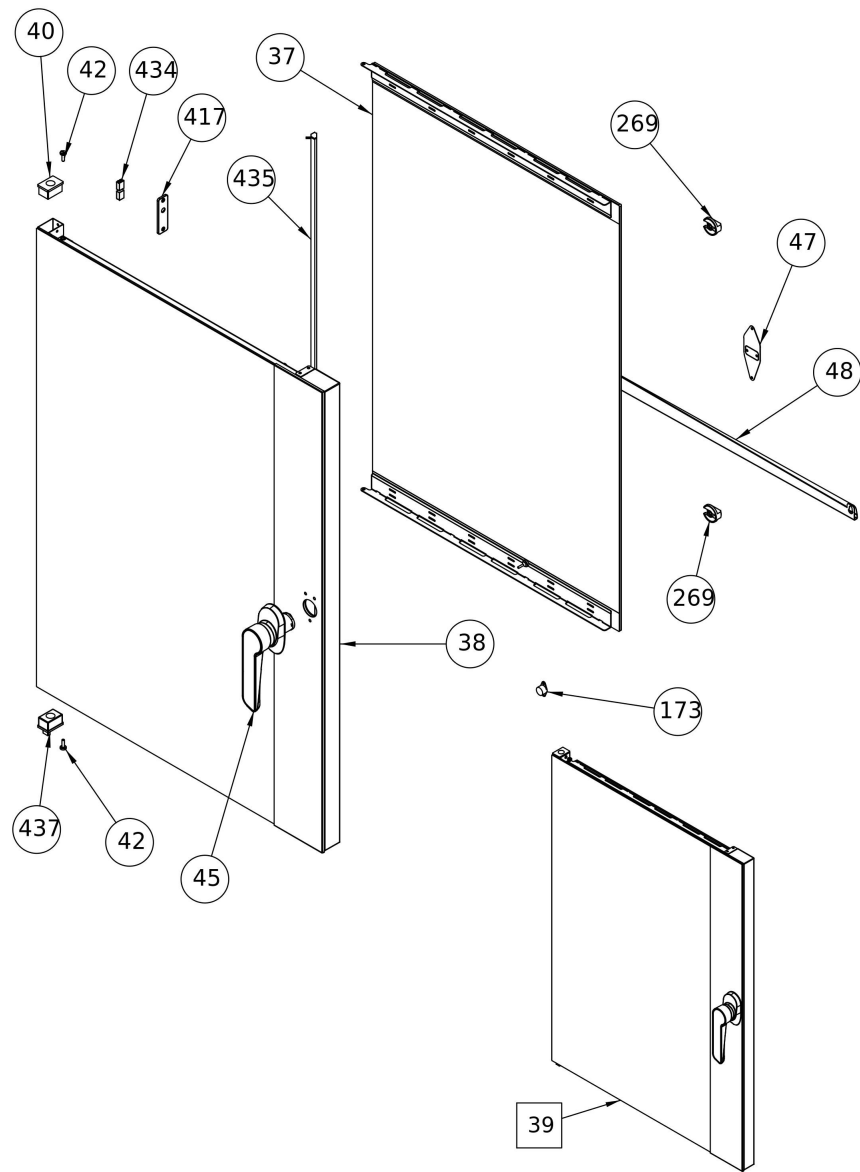


#	Code	Description	Specification	UM	Qty
13	020SON0006	CORE PROBE		pz	1
74	020SON0001	TEMPERATURE PROBE		pz	1
124	040GUA00007	CHAMBER PROBE FLANGE GASKET		pz	1
136	50FFO0001	WATER FILTER WITH CERAMIC WEIGHT		pz	1
174	020SNS0005	DOOR MAGNETIC SENSOR		pz	1
185	020ELE0004	SELF CLEAN SOLENOID VALVE		pz	1
186	040RAC00005	CHECK VALVE IN/OUT JG 8MM 5/16SCV		pz	2
188	040RAC00003	Y JOINT 5/16		pz	1
190	10SCB00021	WASHING BOX COVER		pz	1
192	020SCH0007	RCB/RCG ELECTRONIC BOARD		pz	1
194	30TUBP80006	TUBE		cm	50
195	020PMP0002	DETERGENT PUMP		pz	1
196	85LAV00001	SPRINKLER FOR WASHING SYSTEM		pz	1
302	60VAPVA001	CHIMNEY VALVE		pz	1
417	40DIS00014	MAGNETIC SENSOR PLATE		pz	1
443	TBD-GRI	TRAYS HOLDER		pz	2



Door

#	Code	Description	Specification	UM	Qty
37	85AVI00003	COMPLETE INTERNAL GLASS DOOR FOR OVEN		pz	1
38	TBC-85AVE00007*	EXTERNAL GLASS	To order share s/n	pz	1
39	TBC-85PTA00057*	COMPLETE DOOR	To order share s/n	pz	1
40	040TAP00001	BLACK CAP		pz	1
41	040TAP00002	BLACK CAP		pz	2
42	70VIT029	DOOR ROTATION SCREW		pz	2
45	60MAGTR003	MANIG. 6302-020072VX VENIX SX		pz	1
47	10PIAA10SAA012	HANDLE PLATE		pz	1
48	10VAS006	DROPS COLLECTOR TRAY		pz	1
173	60MGNSN002	DOOR SENSOR MAGNET		pz	1
269	040MAN00010	INTERNAL GLASS BLOCKING KNOB		pz	2
417	40DIS00014	MAGNETIC SENSOR PLATE		pz	1
434	20MOR00010	MAIN TERMINAL BLOCK KLEMSAN		pz	2
435	020LED0003	LAM LED PT 10T CR880OP4 L=900MM		pz	1
437	040TAP00025	BOTTOM DOOR CAP		pz	1



All glass door

#	Code	Description	Specification	UM	Qty
37	85AVI00003	COMPLETE INTERNAL GLASS DOOR FOR OVEN		pz	1
38	TBC-85AVE00009*	COMPLETE EXTERNAL GLASS SQ10-SQ12	To order share s/n	pz	1
39	TBC-85PTA00060*	DOOR SQ10-12	To order share s/n	pz	1
40	040TAP00001	BLACK CAP		pz	1
42	70VIT029	DOOR ROTATION SCREW		pz	2
44	040TAP00015	RUBBER SPACER FOR INTERNAL GLASS		pz	17
45	60MAG00013	HANDLE		pz	1
47	10PIAA10SAA012	HANDLE PLATE		pz	1
48	10VAS006	DROPS COLLECTOR TRAY		pz	1
173	60MGNSN002	DOOR SENSOR MAGNET		pz	1
269	040MAN00010	INTERNAL GLASS BLOCKING KNOB		pz	2
417	40DIS00014	MAGNETIC SENSOR PLATE		pz	1
434	20MOR00010	MAIN TERMINAL BLOCK KLEMSAN		pz	2
435	020LED0003	LAM LED PT 10T CR880OP4 L=900MM		pz	1
437	040TAP00025	BOTTOM DOOR CAP		pz	1
542	70VIT048	SCREW M5X20 SH PH SS		pz	2
544	040PPC00008	WIRING PLASTIC CONNECTOR		pz	1
594	70VIT038	SCREW M5X14 RH PH NP		pz	3