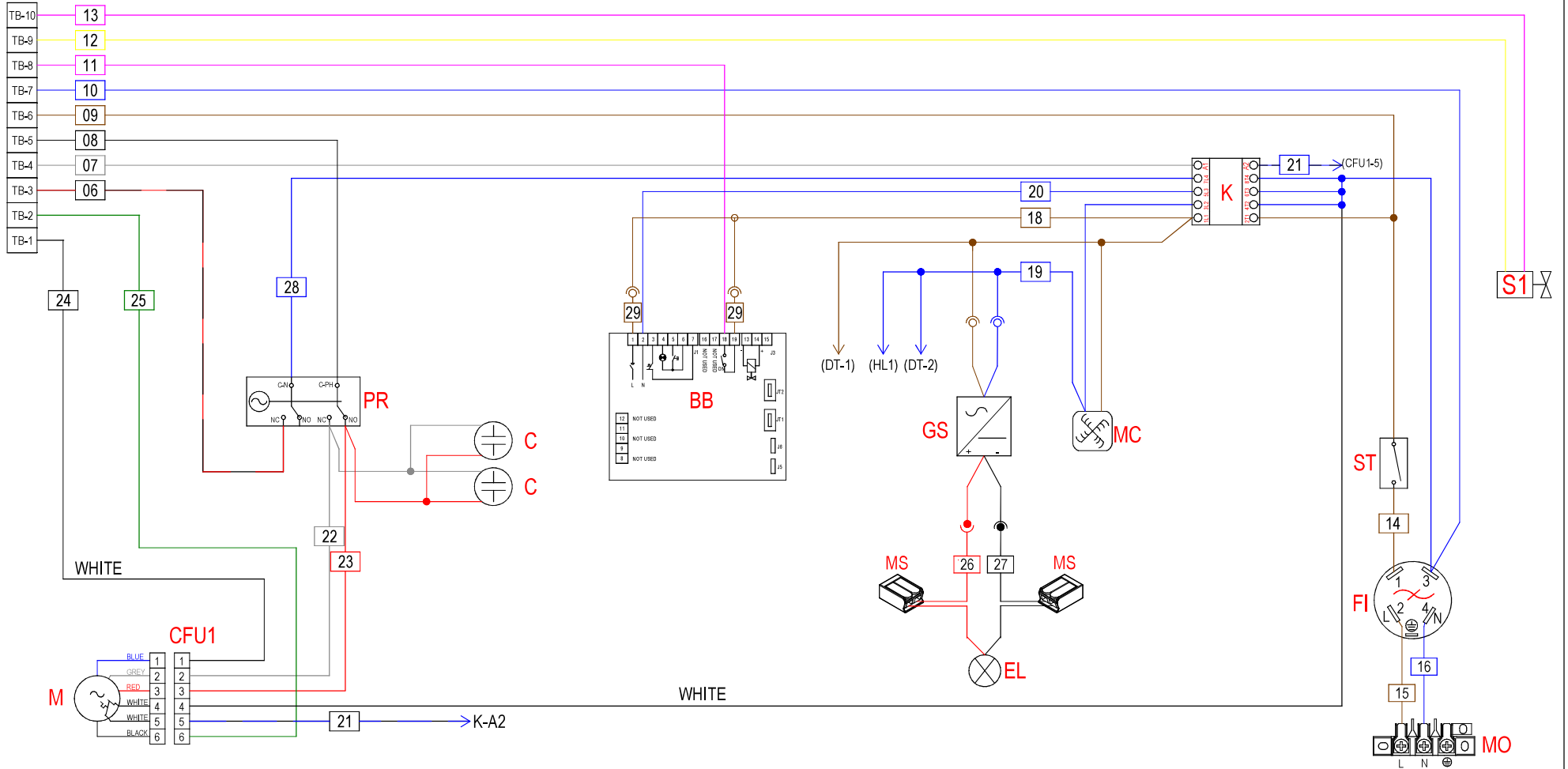
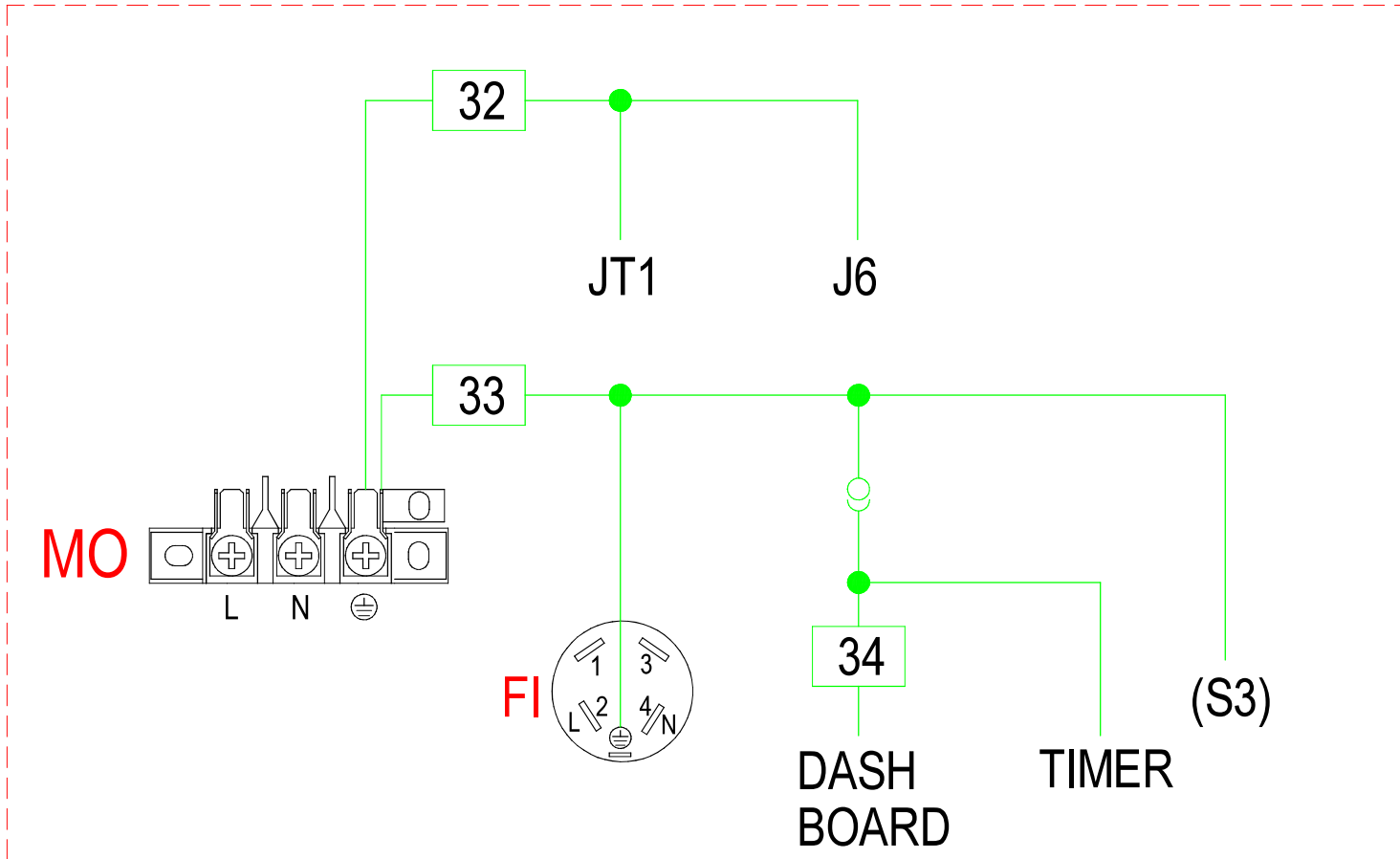


TB



GROUND CONNECTION:



LEGEND:

BB = Burner board

BD = Door button

BR = Reset button

BS = Speed button

C = Capacitor

EL = Led

FI = Filter

FU = Fuse

GS = Power supply

HA = Acoustic signal

HL1 = Thermostat signal lamp

HL2 = Humidity signal lamp

M = Motor

MC = Cooling motor

MO = Main terminal block

MS = Wago connector

PR = Cam programmer

S1 = Solenoid valve

S3 = Gas valve

ST = Safety thermostat

TB = Terminal block

TH = Thermostat

TI = Timer

K = Contactor