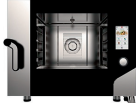


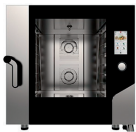
spare parts

CE

LIEV - HOOD - SUP
CAV - FIK



CONVE 464 TS _____ p 04



CONVE 664 TS _____ p 09



CONVE 1064 TS _____ p 14



CONVE 1664 TS _____ p 19



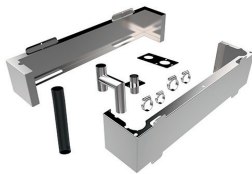
LIEV 664 _____ p 24



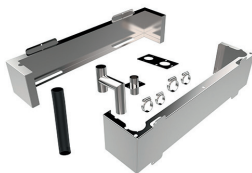
HOOD 16 _____ p 28



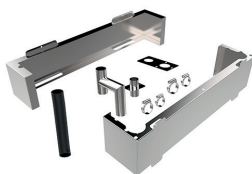
HOOD 4610 _____ p 29



SUPP 64 _____ p 30



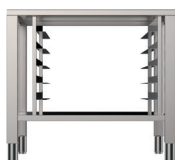
SUPP ST464 _____ p 36



SUPP T664 _____ p 38



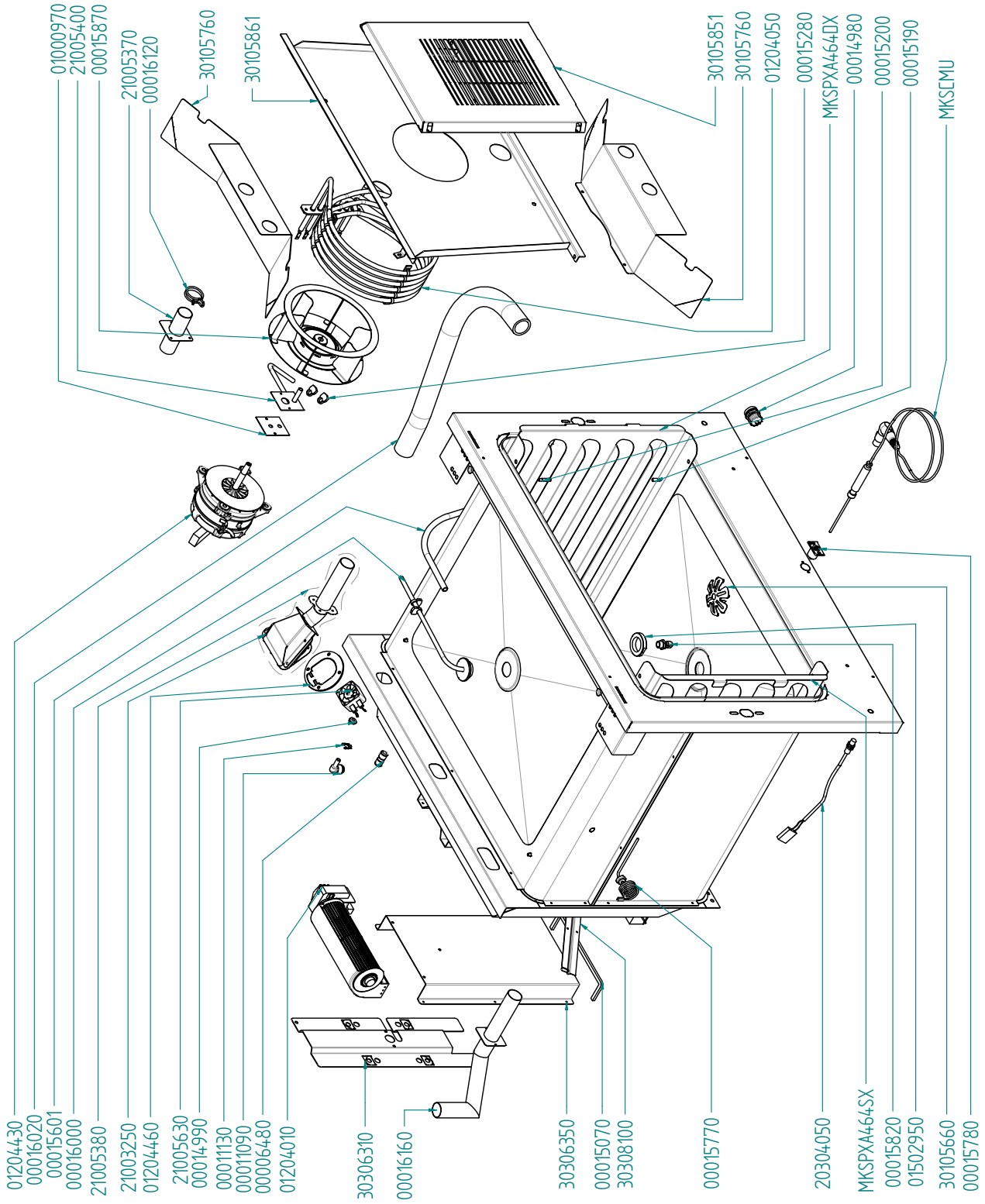
CAV 64D _____ p 42



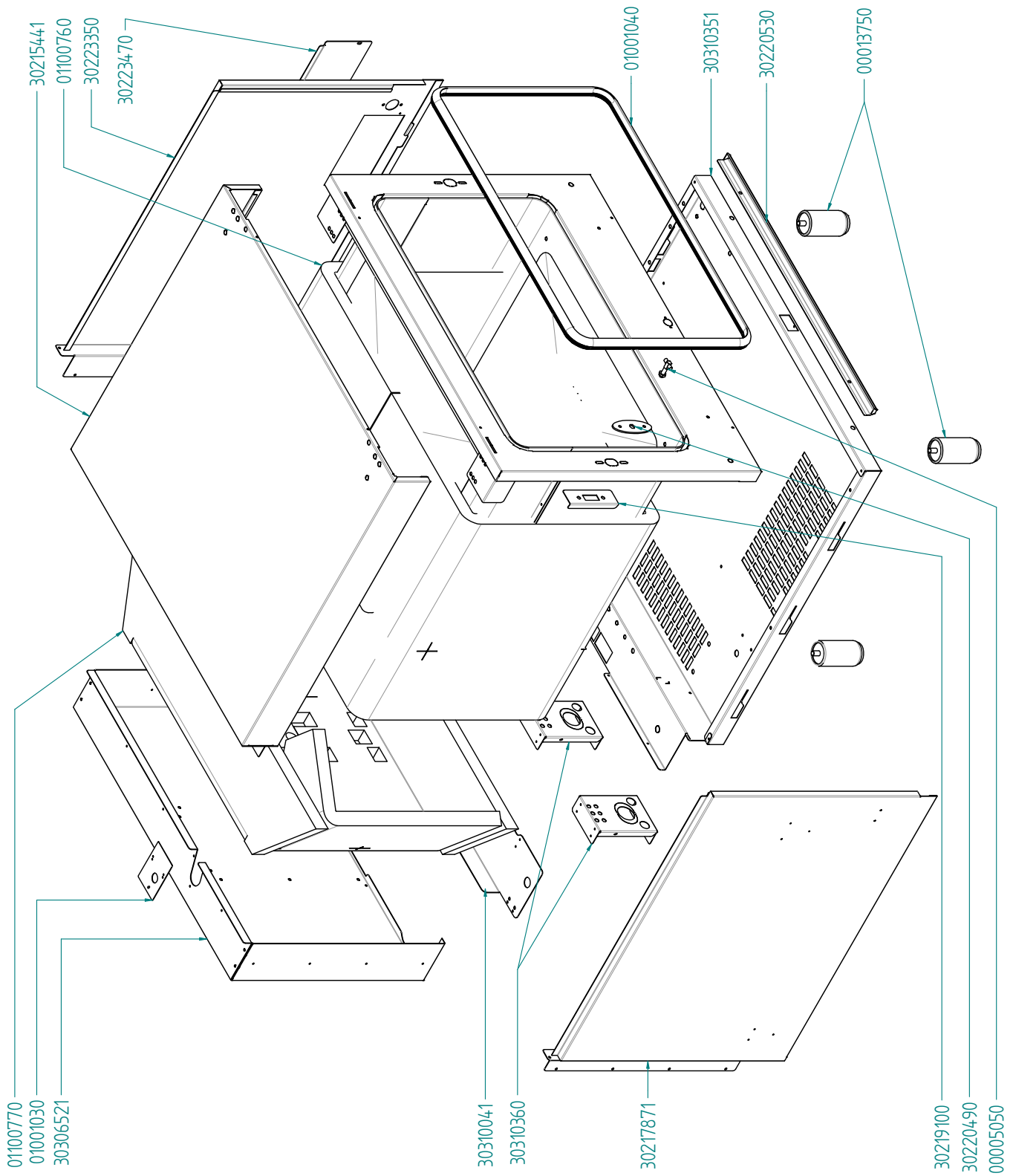
CAV S64 _____ p 45



F.I.K. _____ p 51

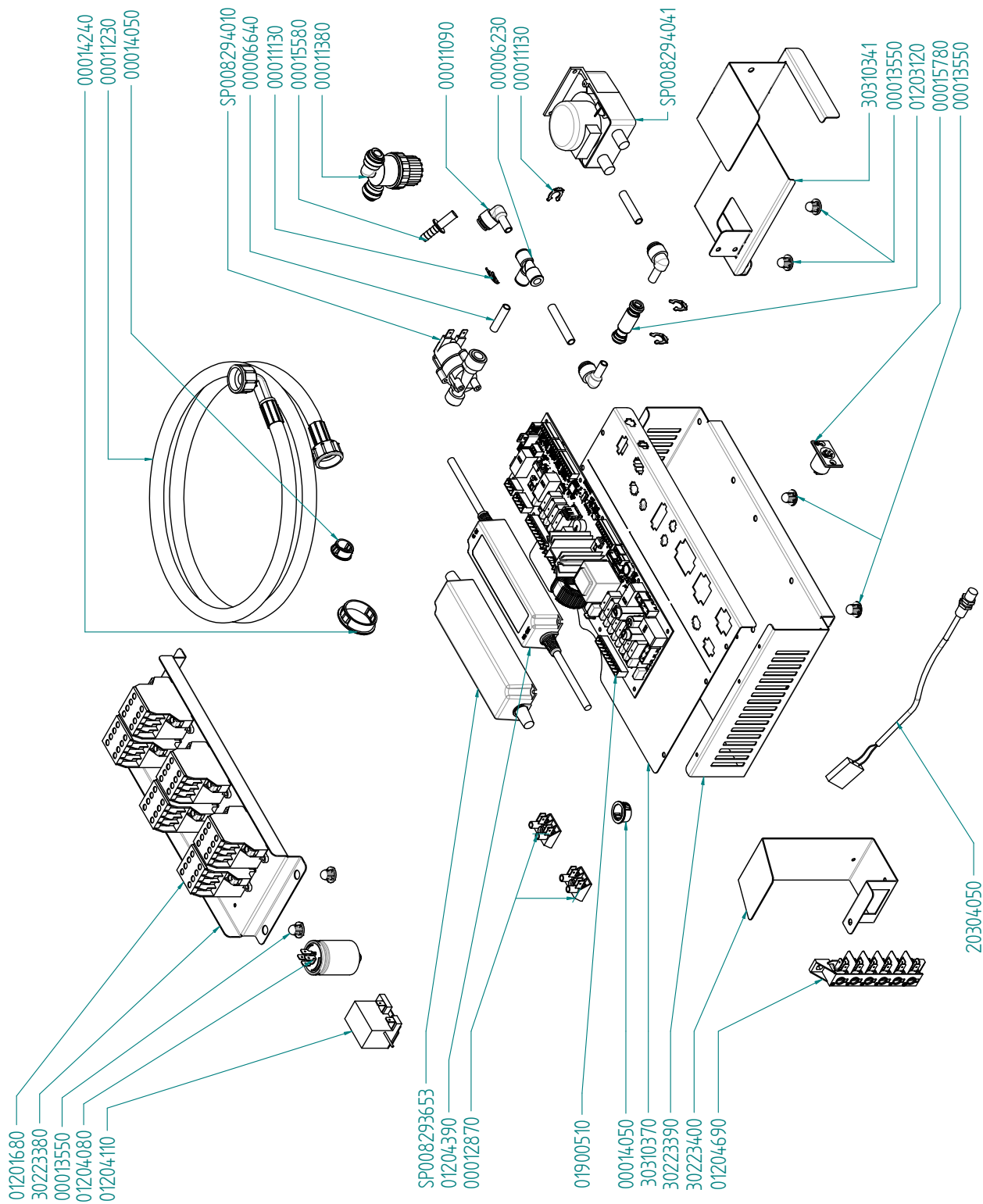


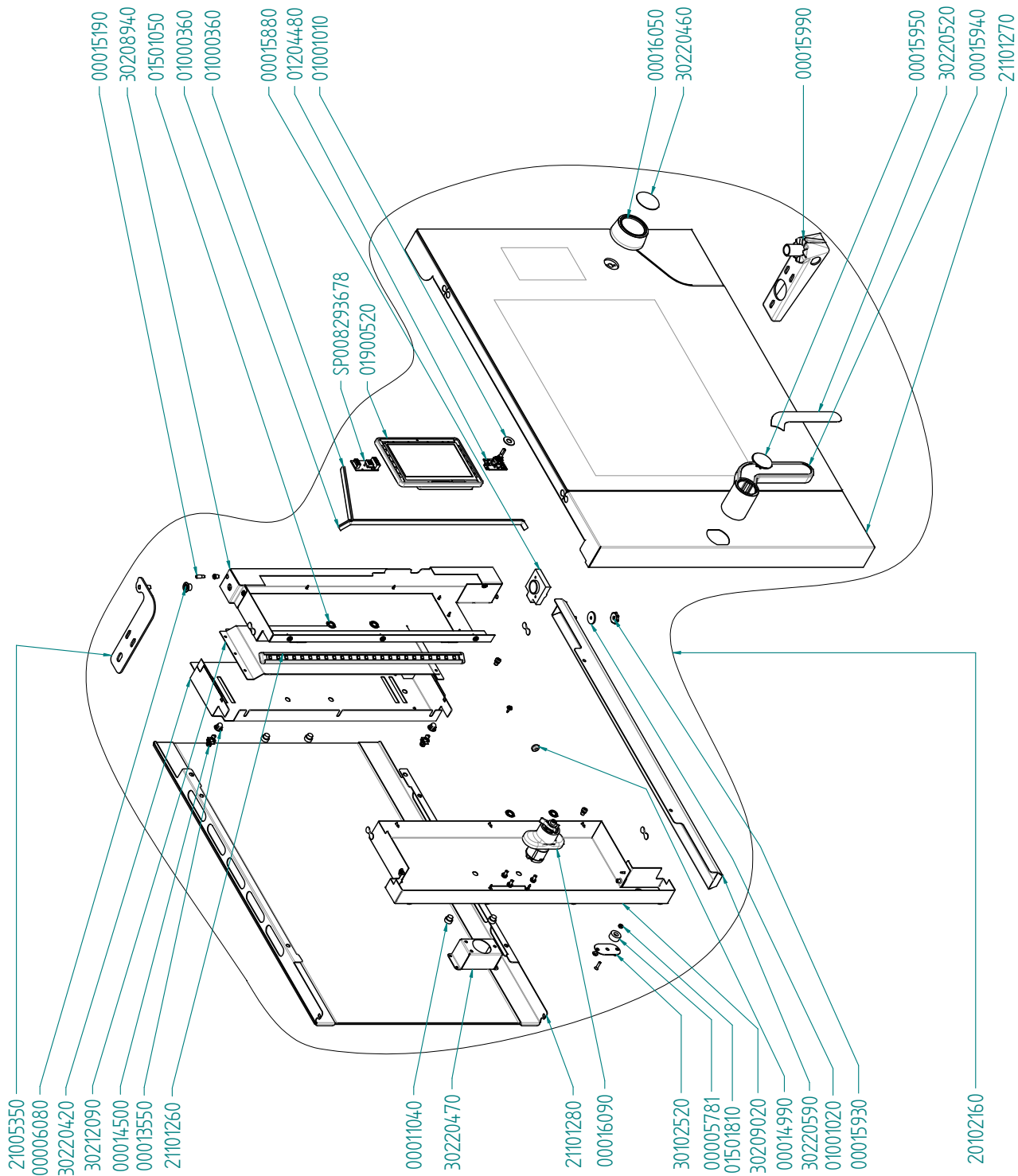
MADE IN ITALY

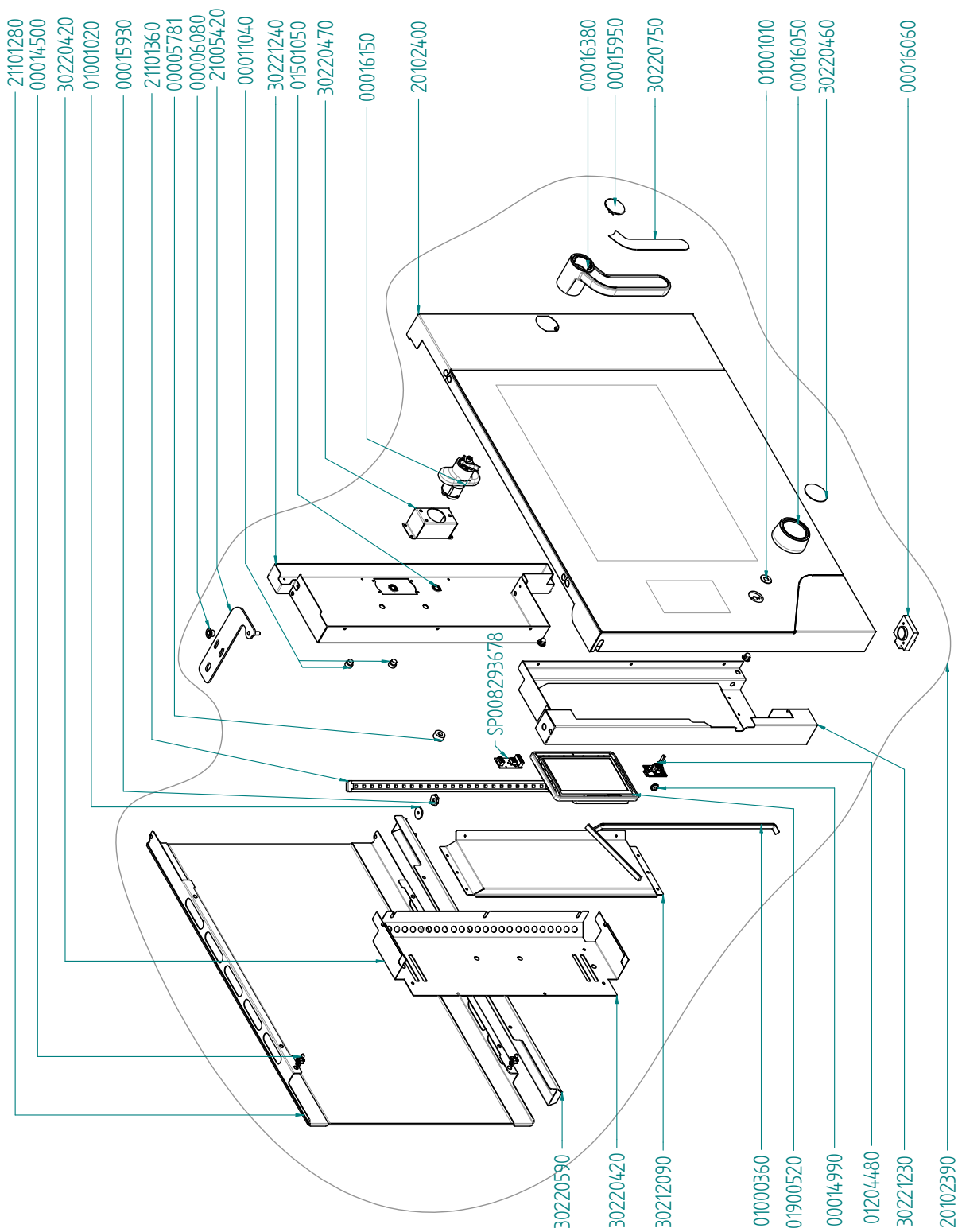


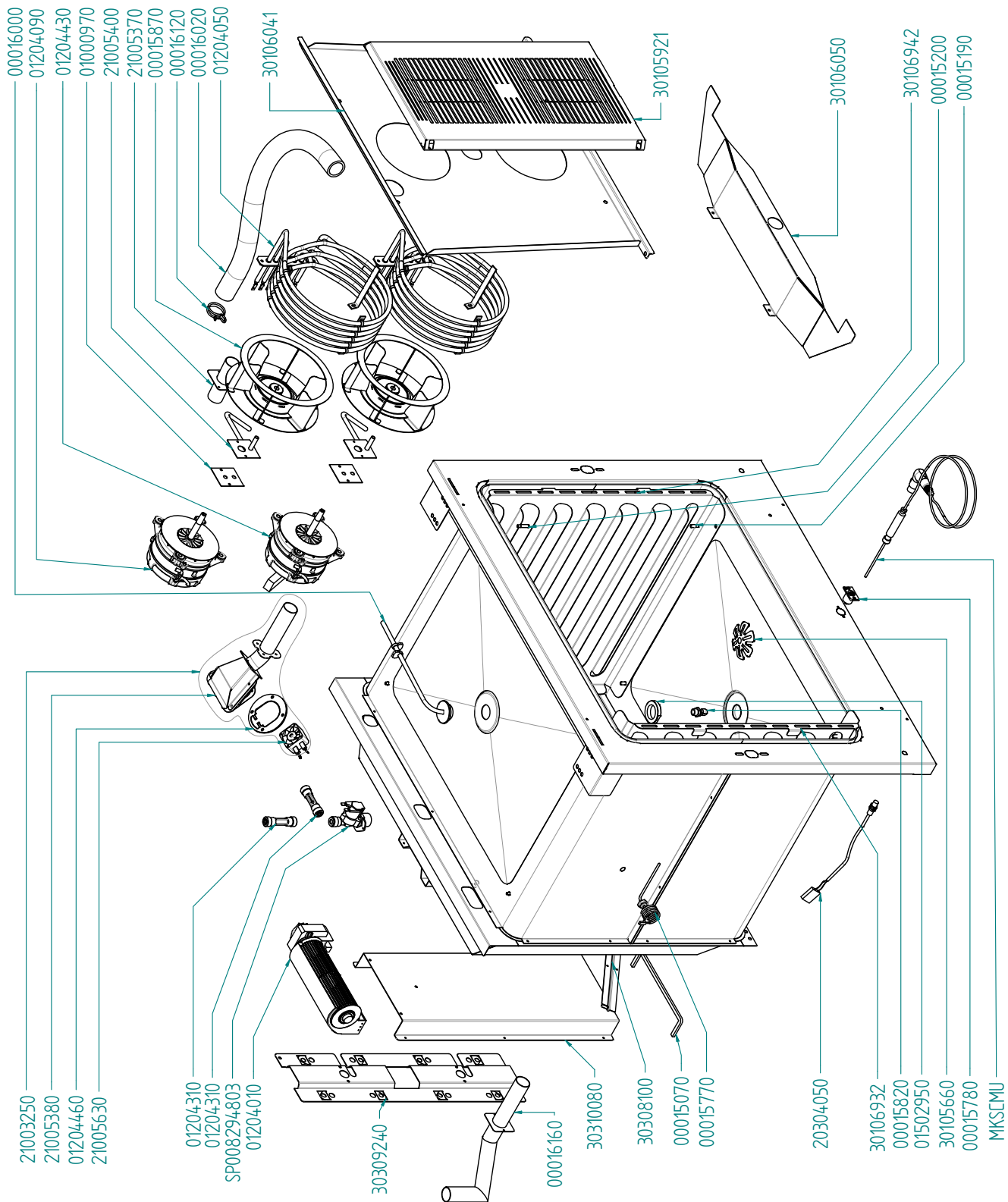
MADE IN ITALY

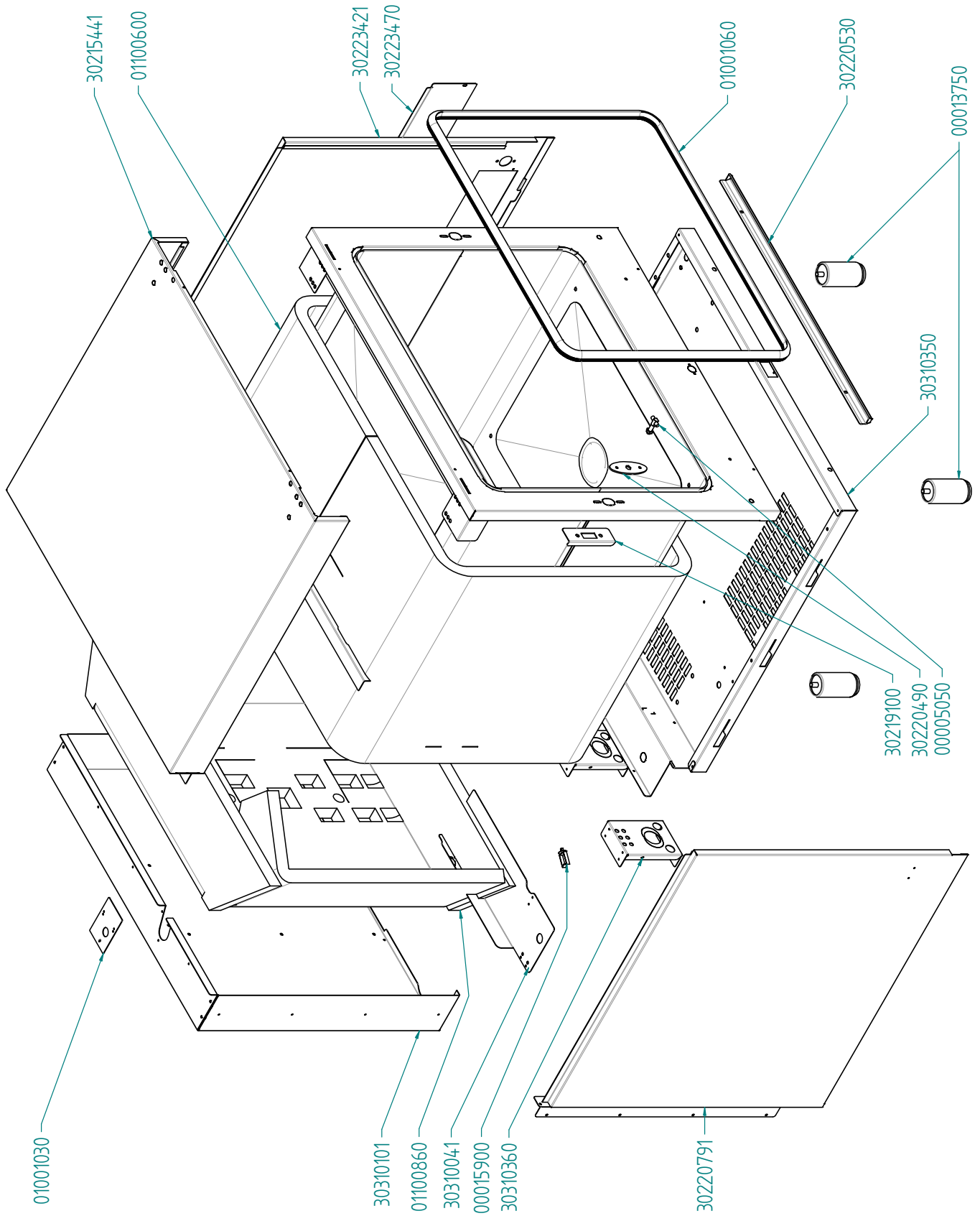
CONVE 464 TS



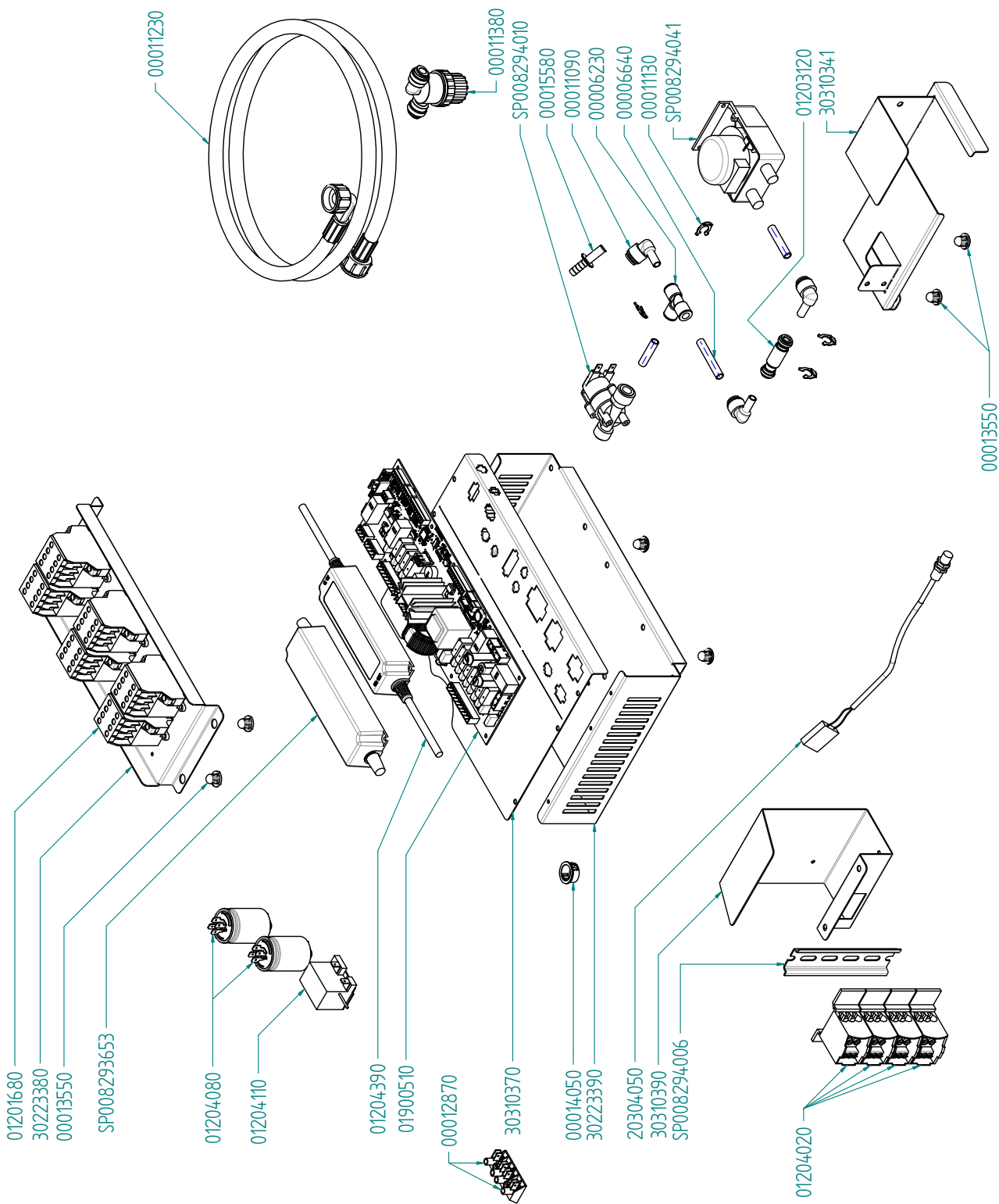


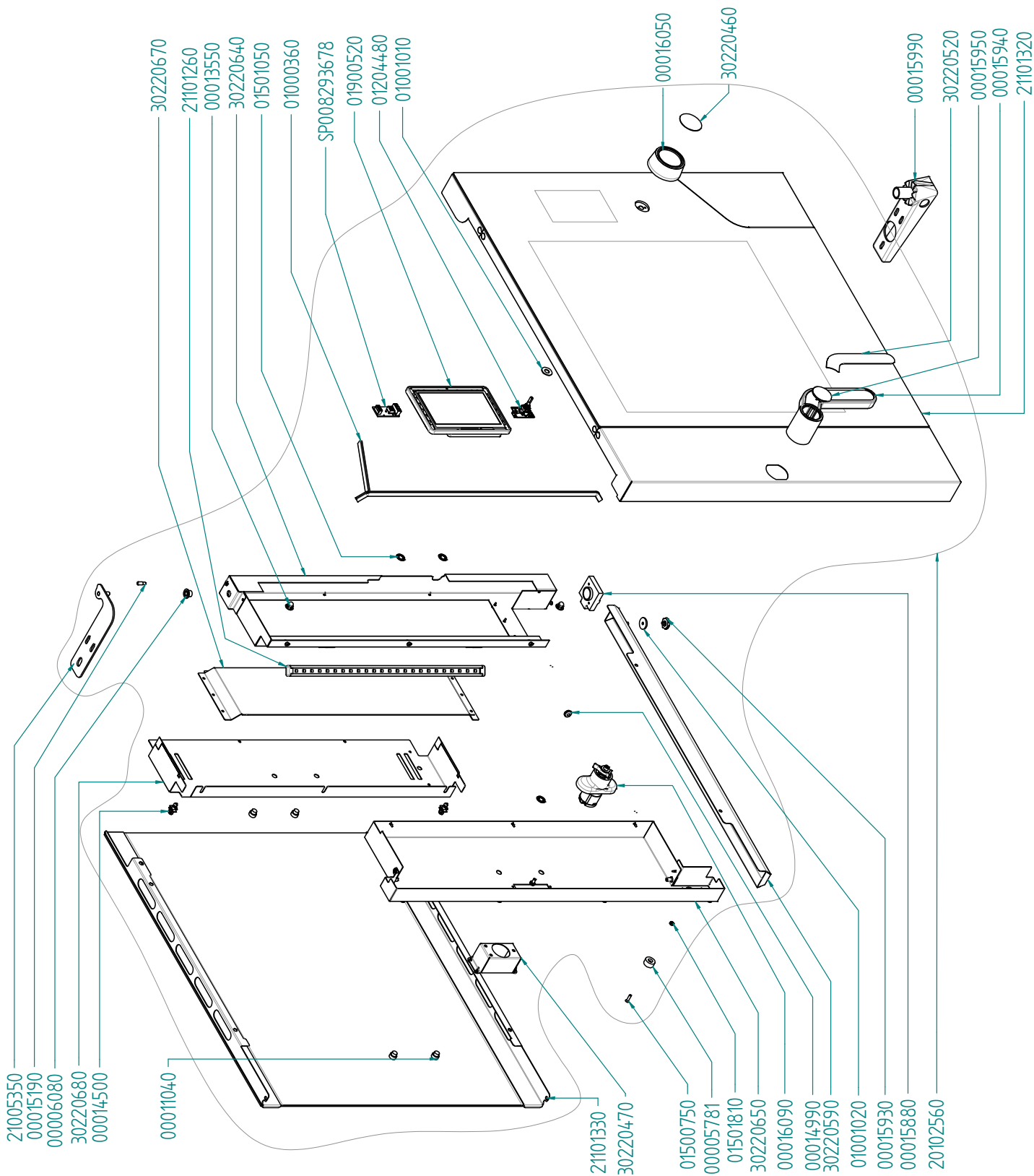




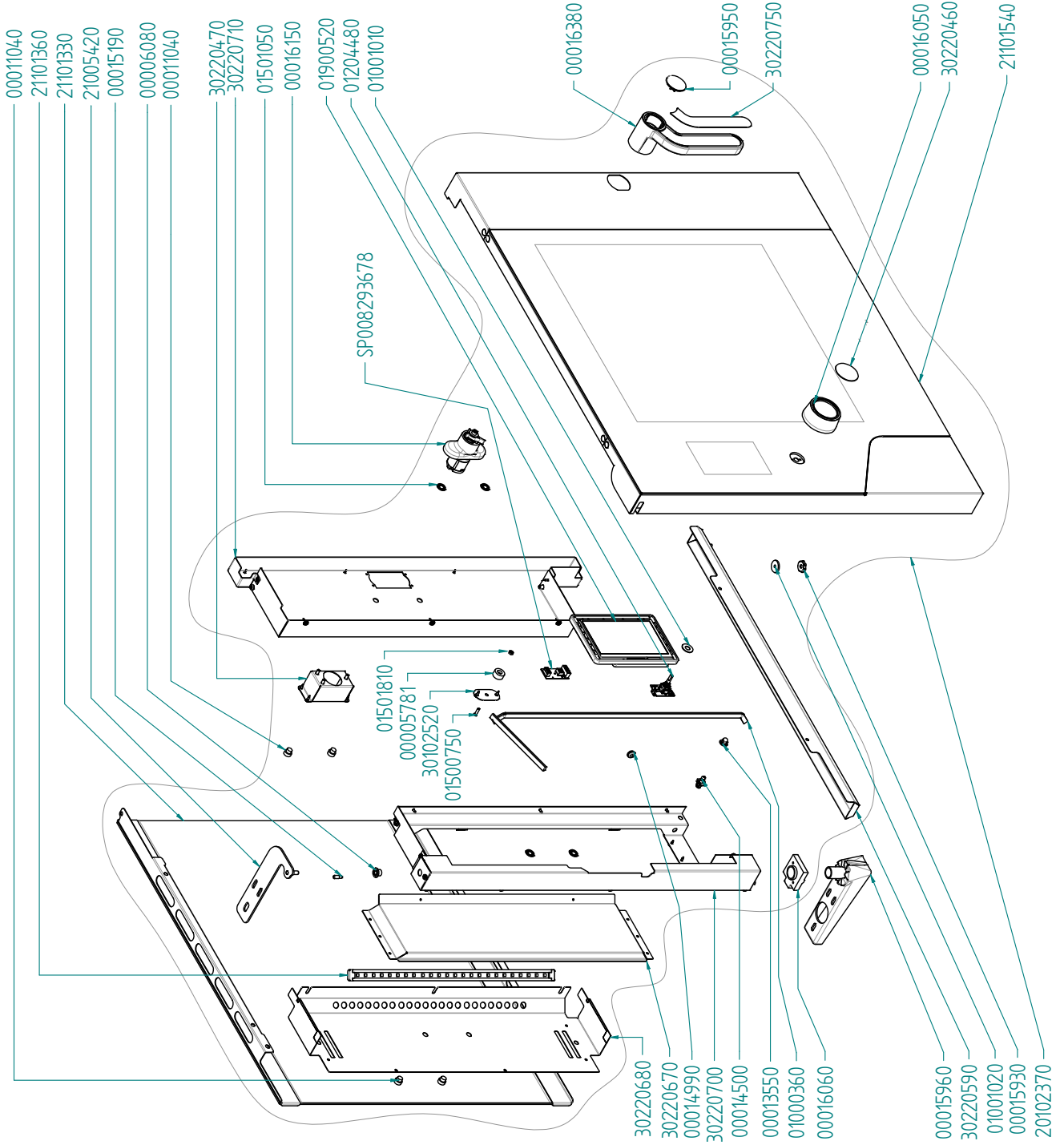


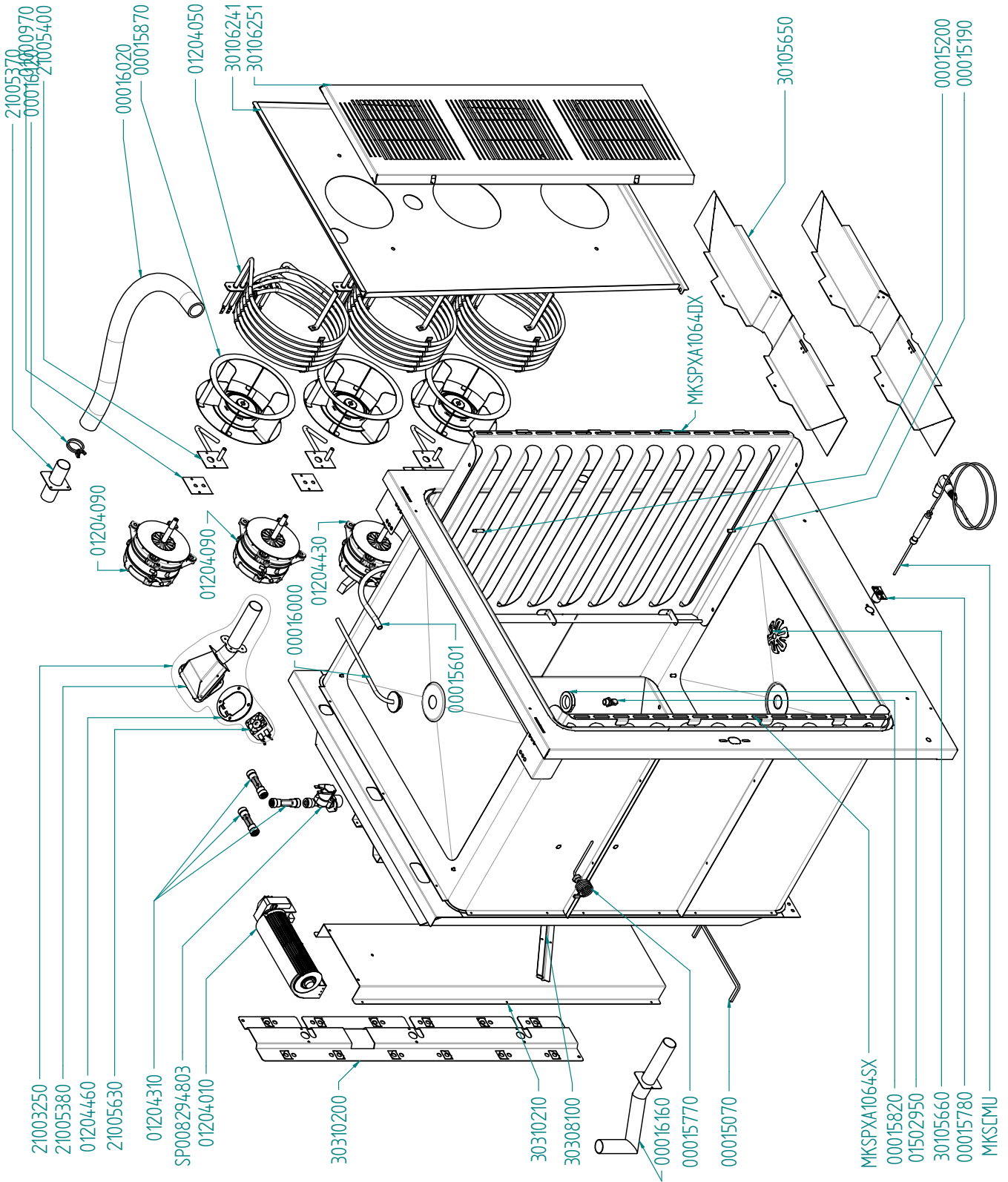
MADE IN ITALY



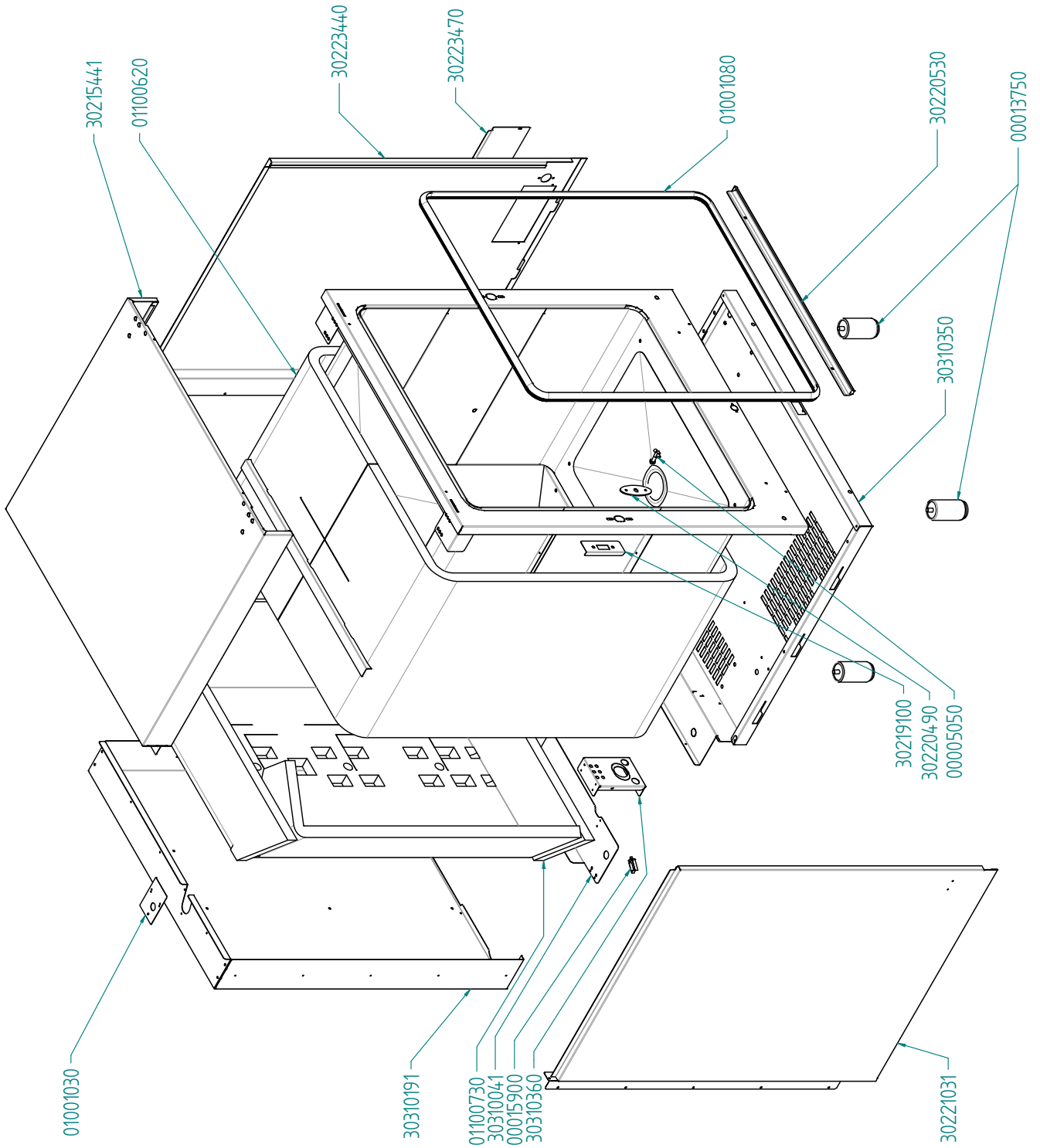


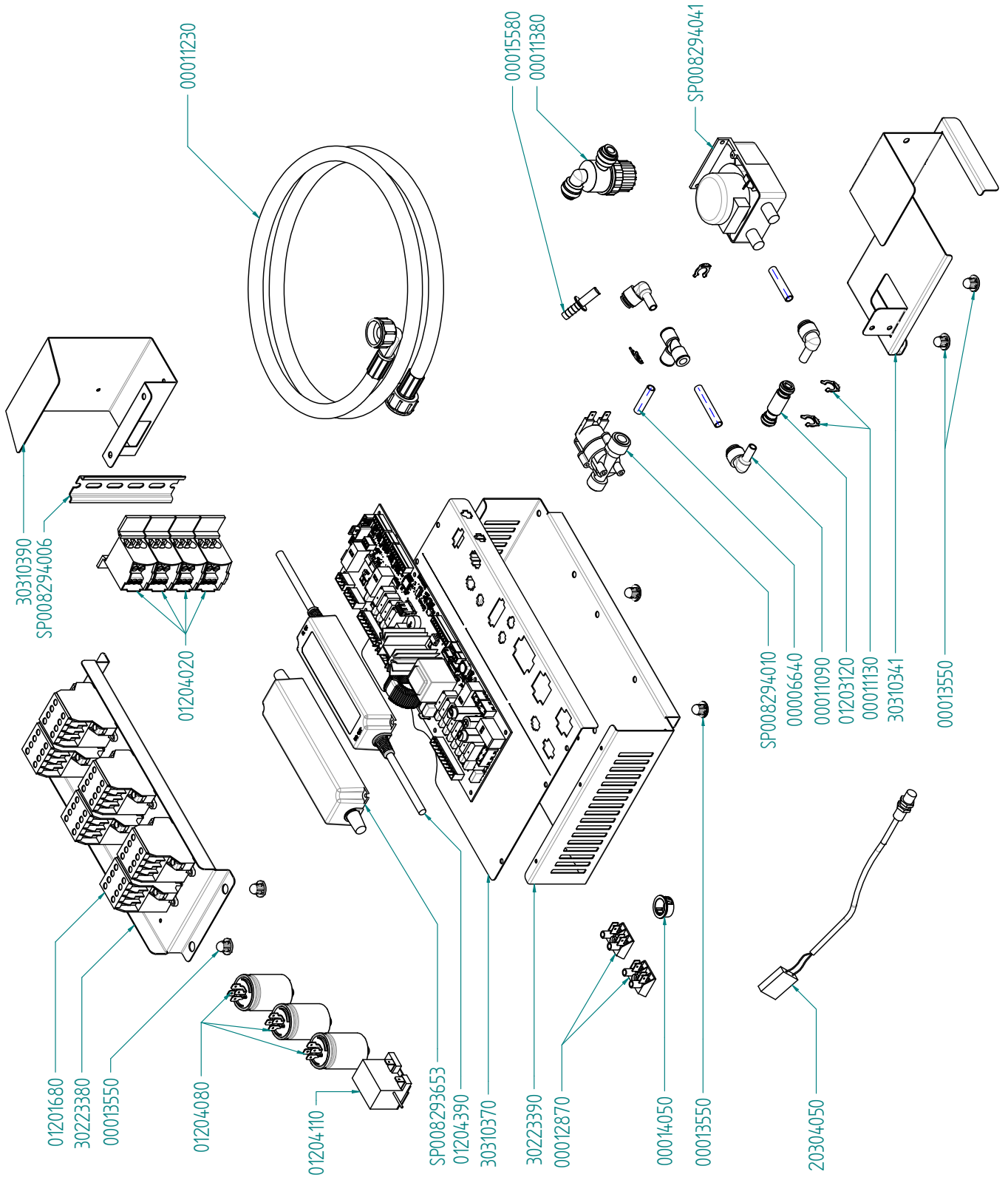
CONVE 664 TS

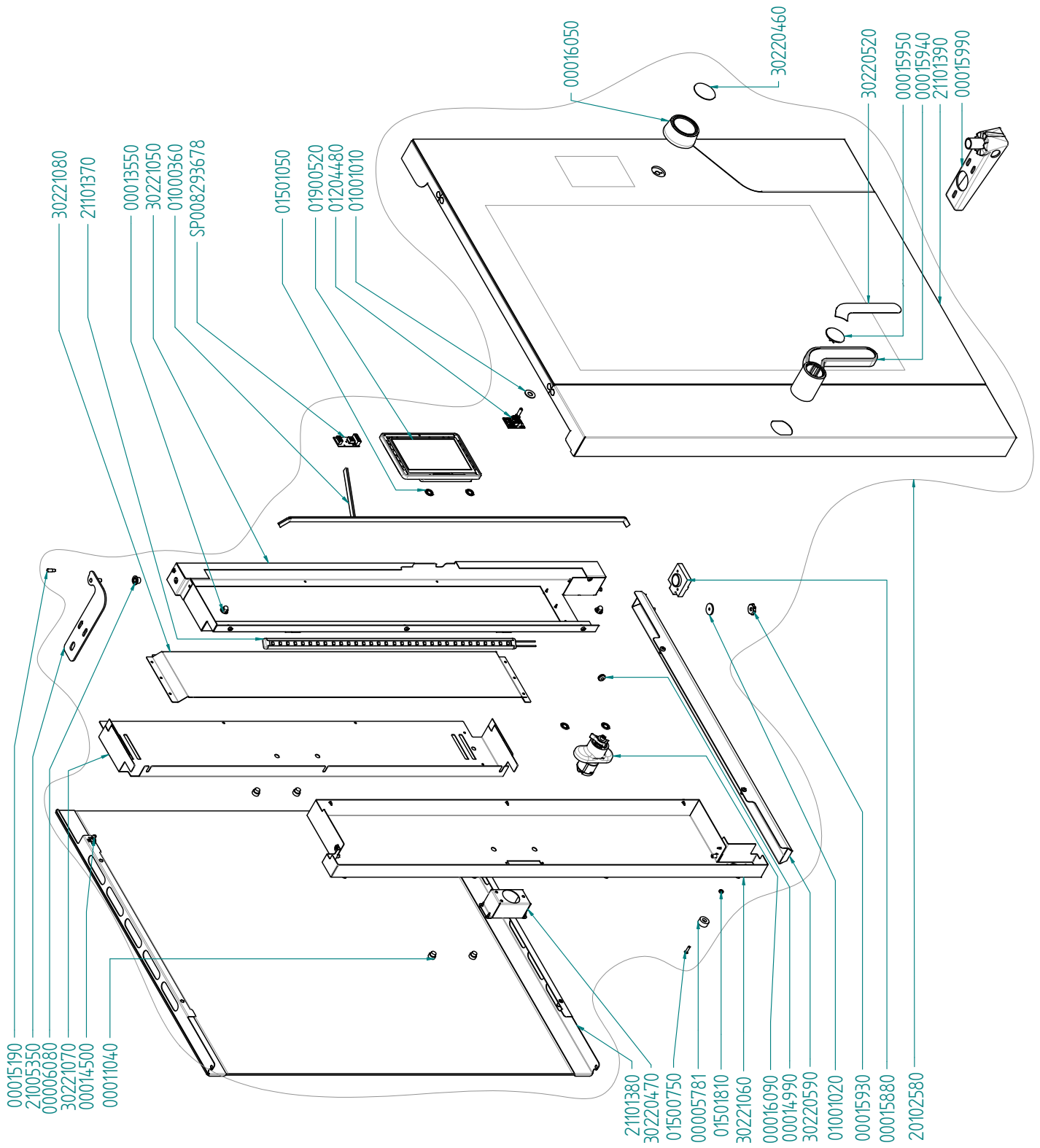




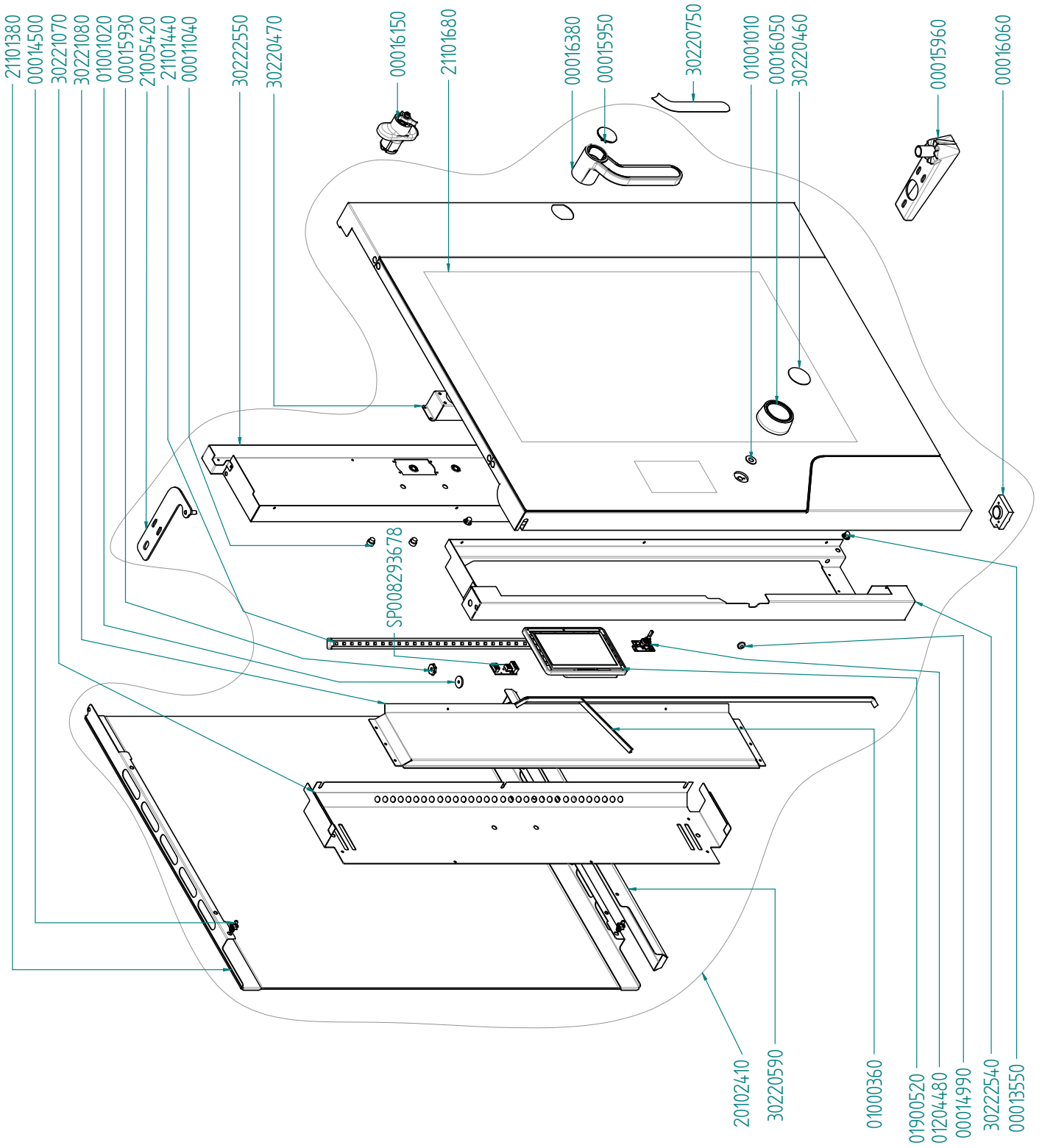
CONVE 1064 TS

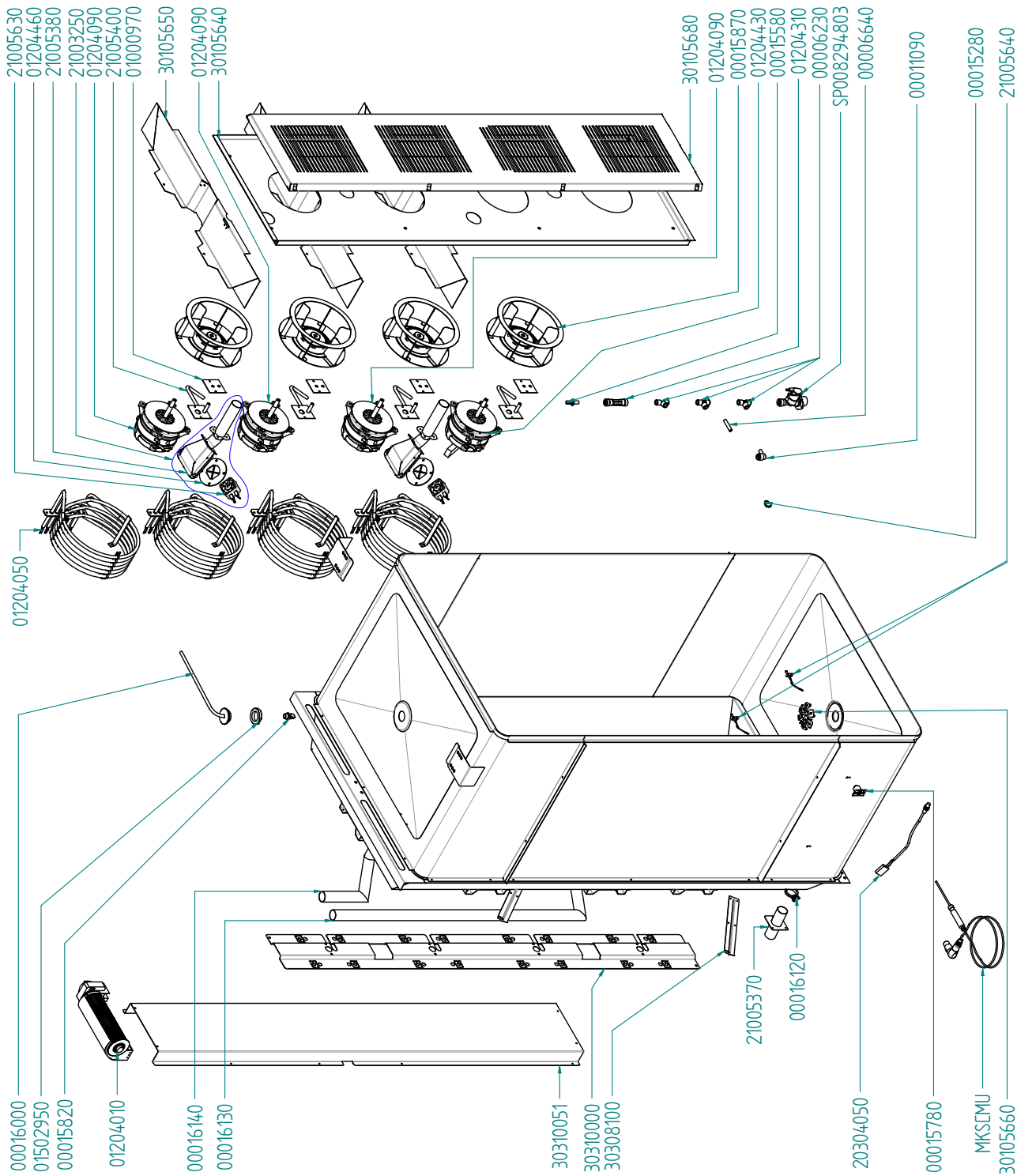


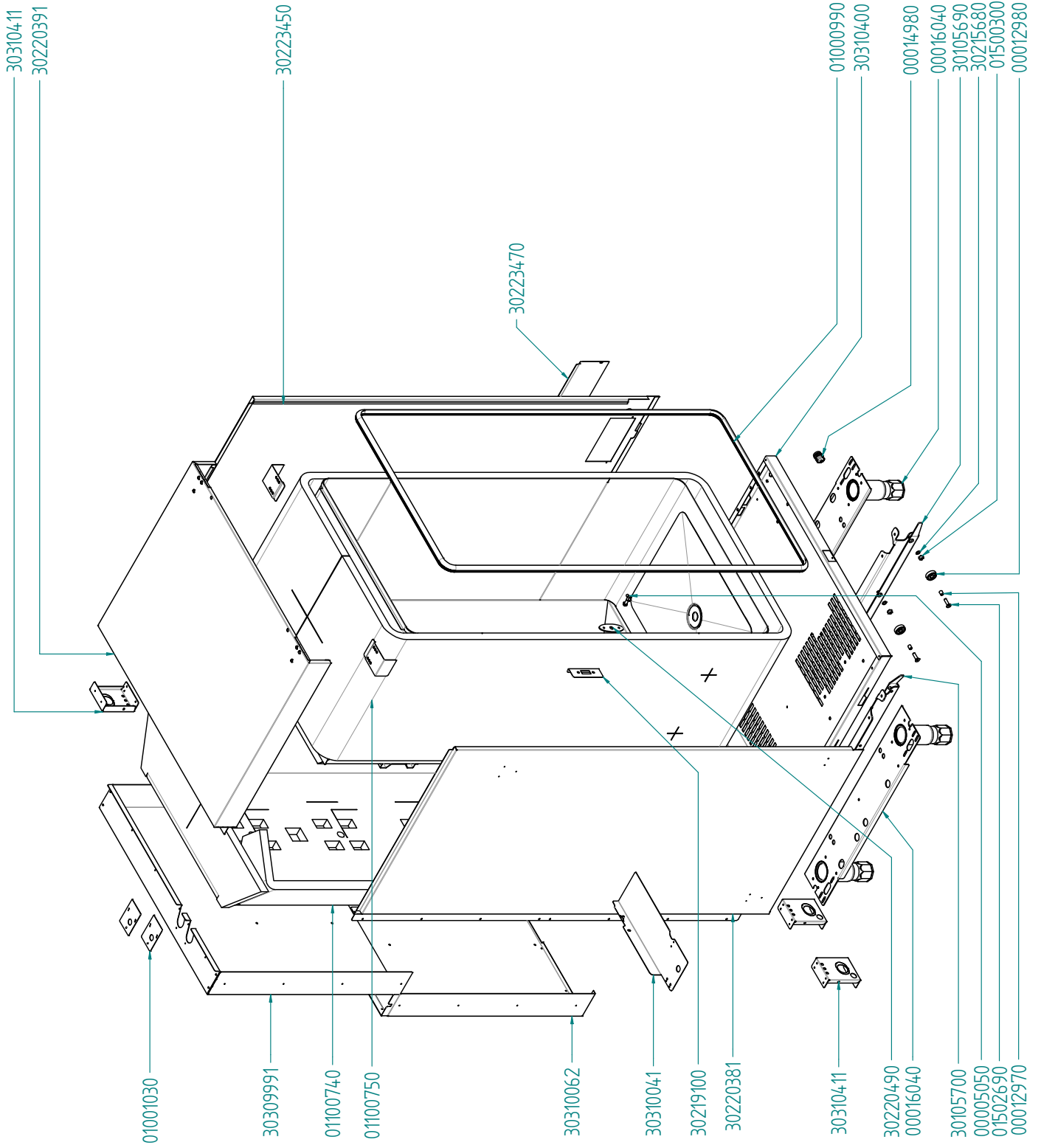


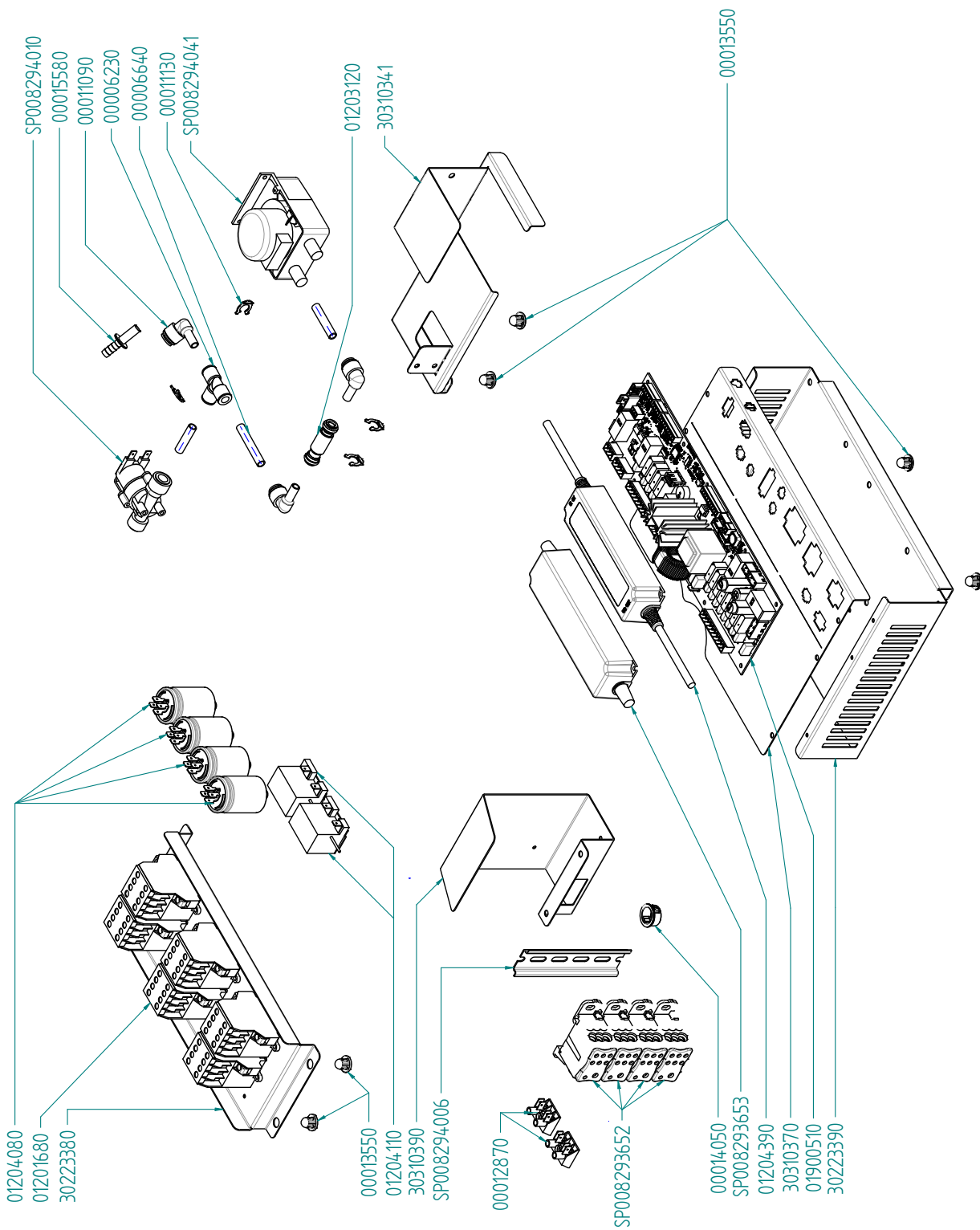


CONVE 1064 TS

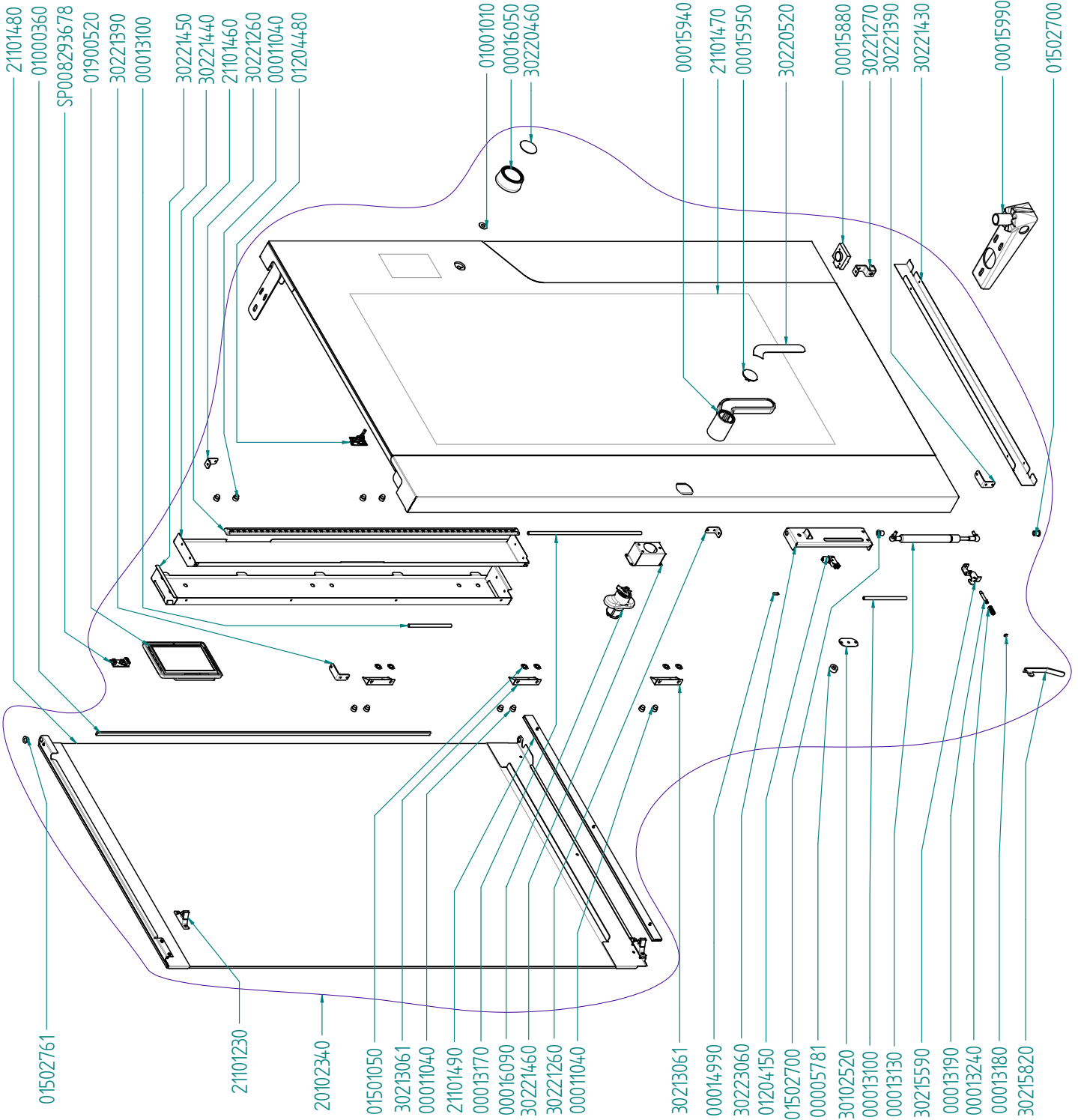


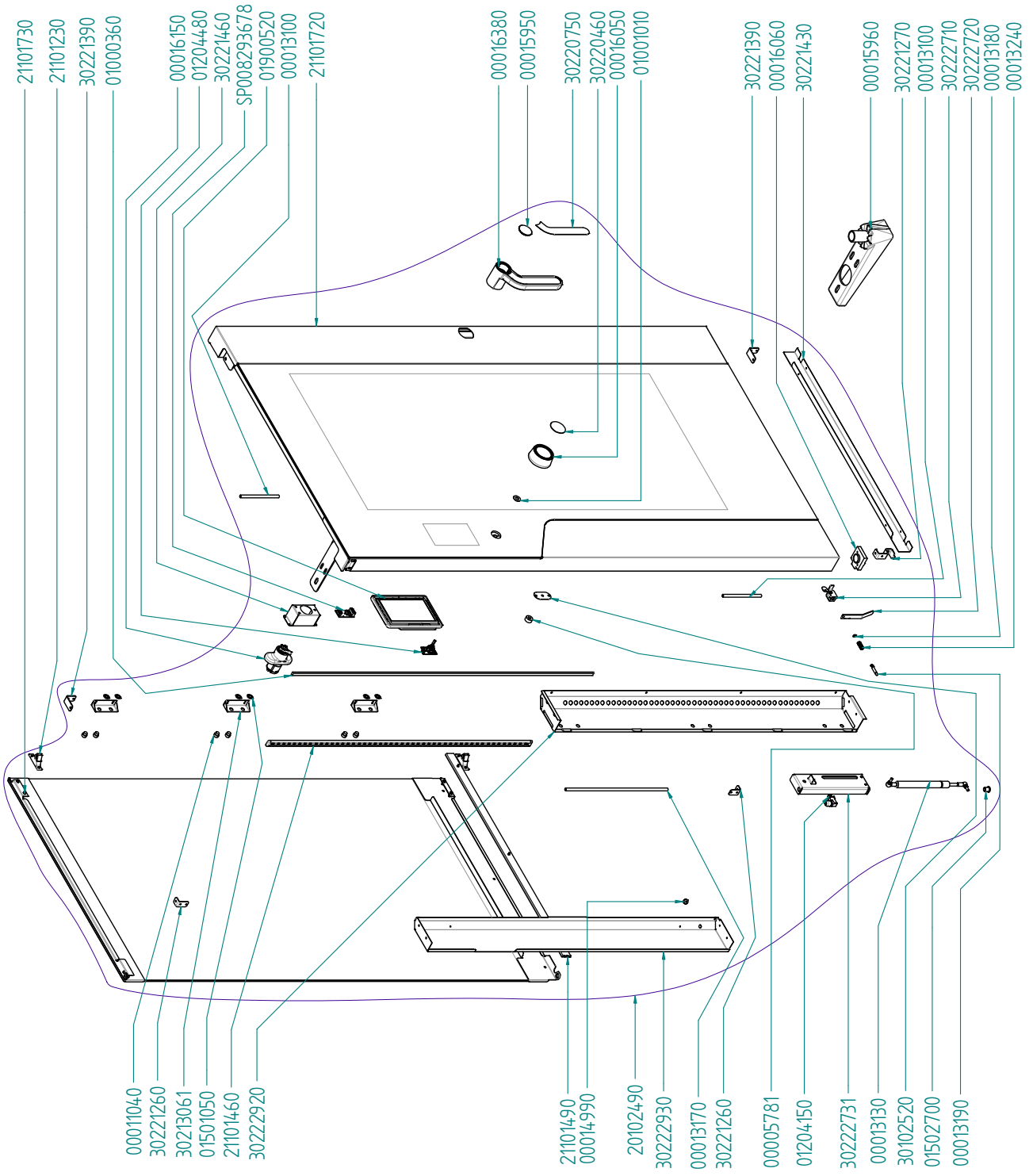






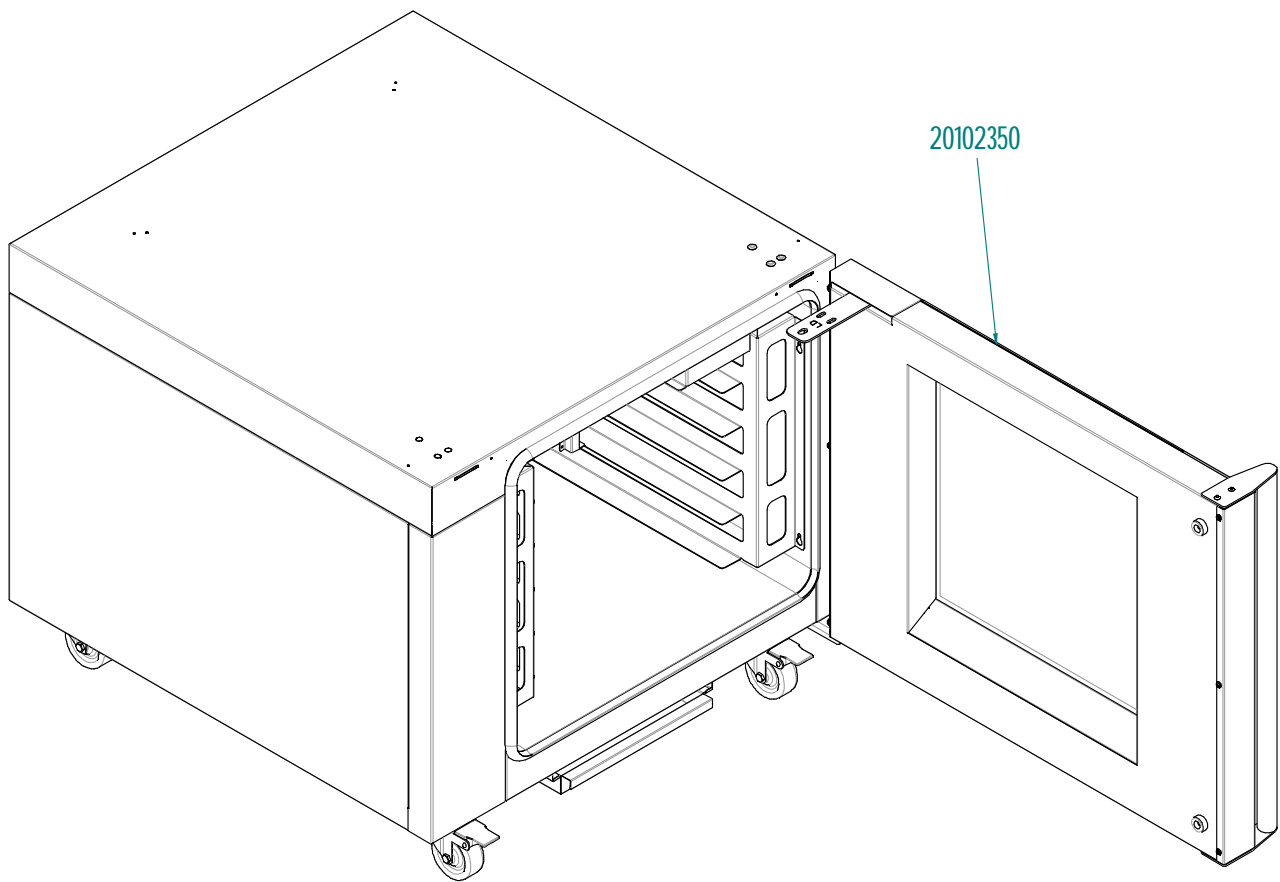
MADE IN ITALY





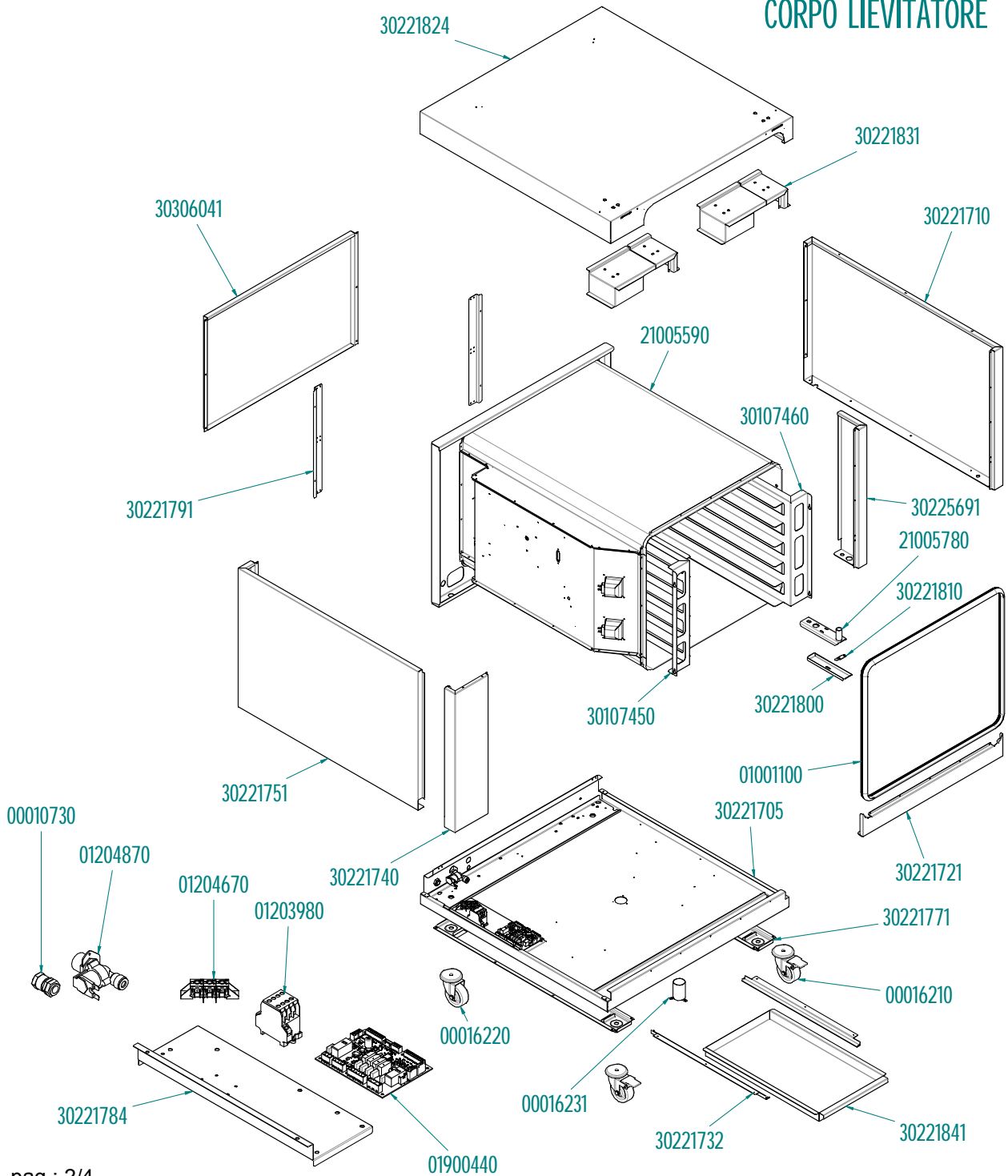
MADE IN ITALY

CONVE 1664 TS



MADE IN ITALY

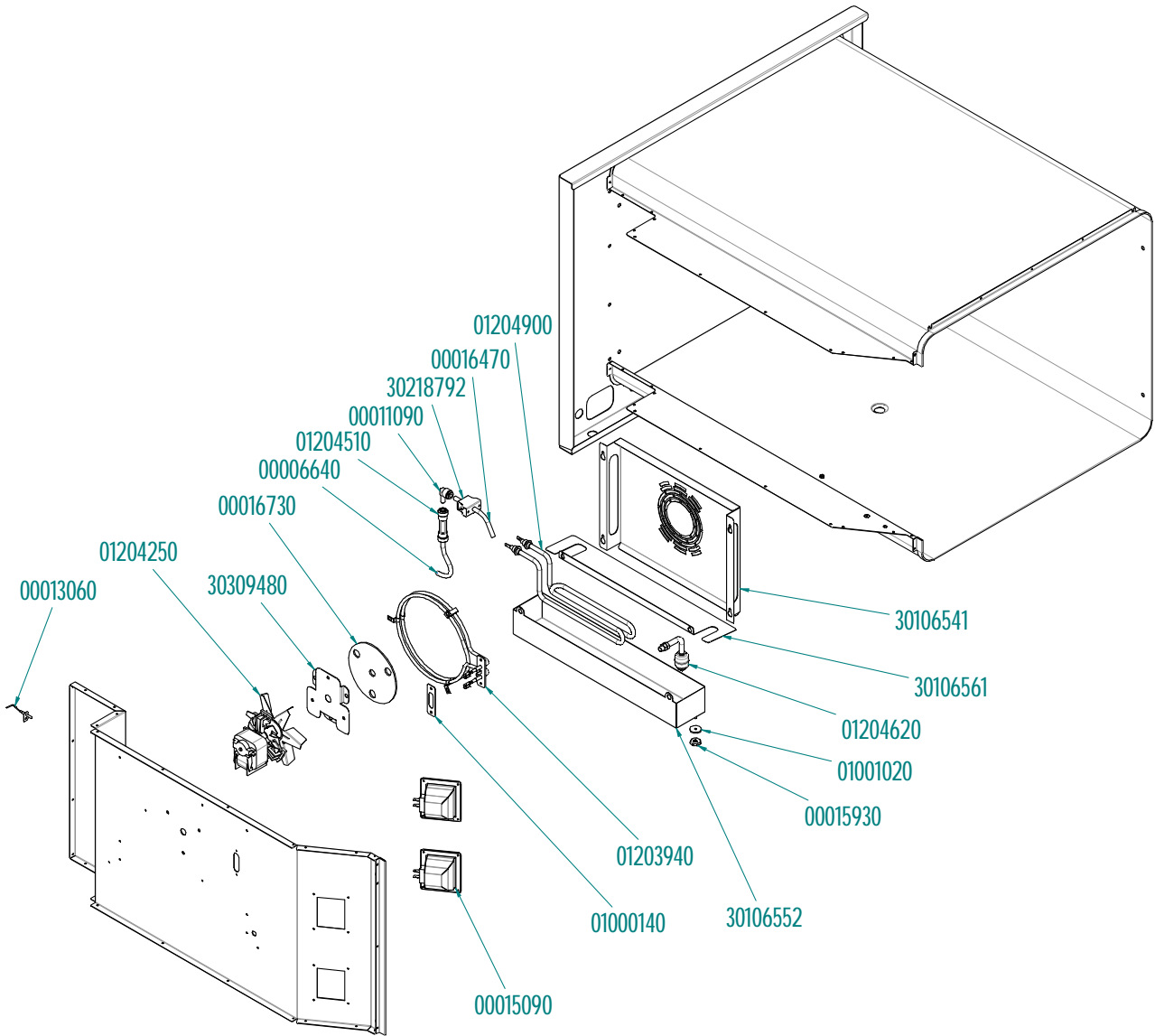
CORPO LIEVITATORE



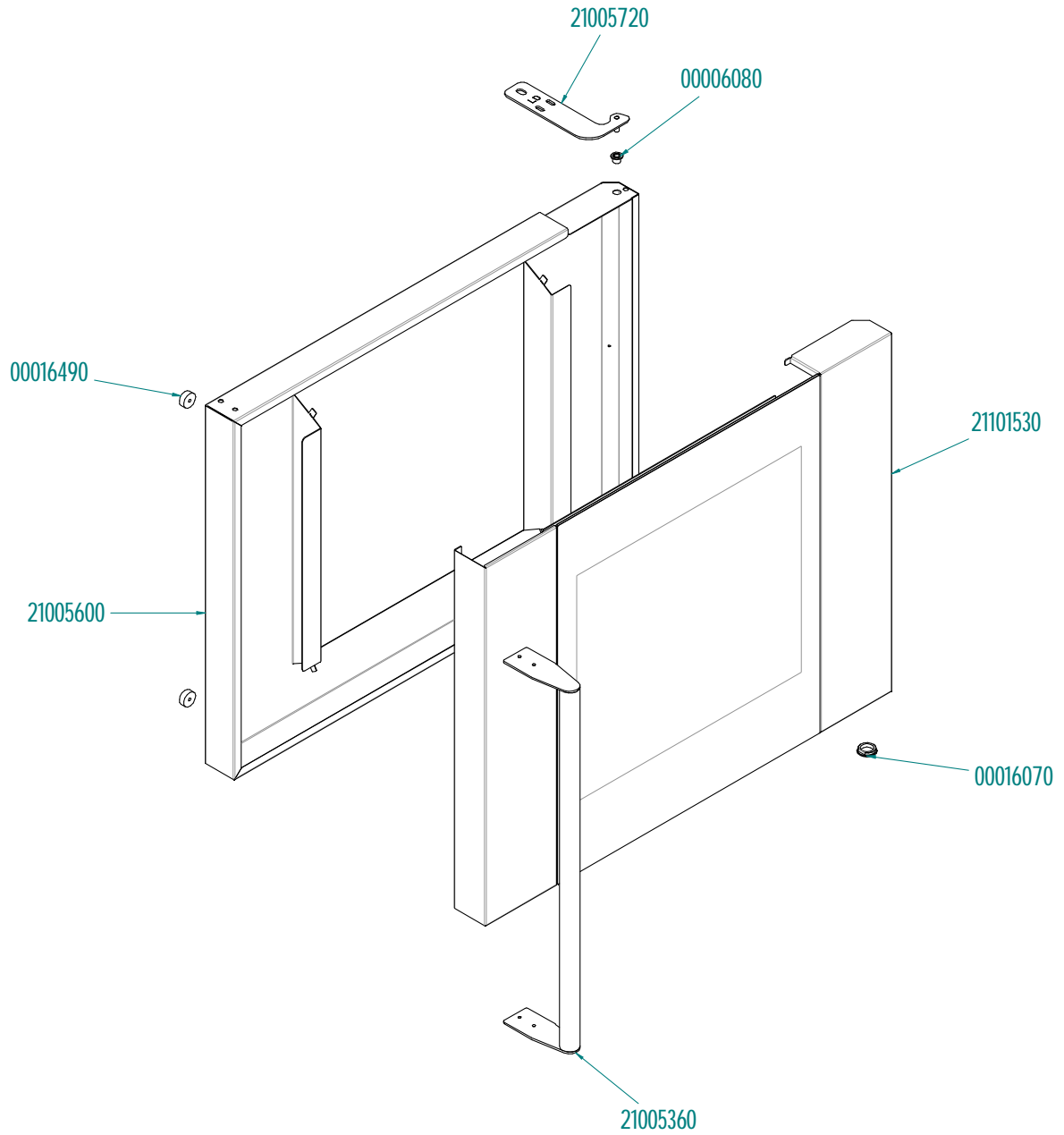
pag.: 2/4

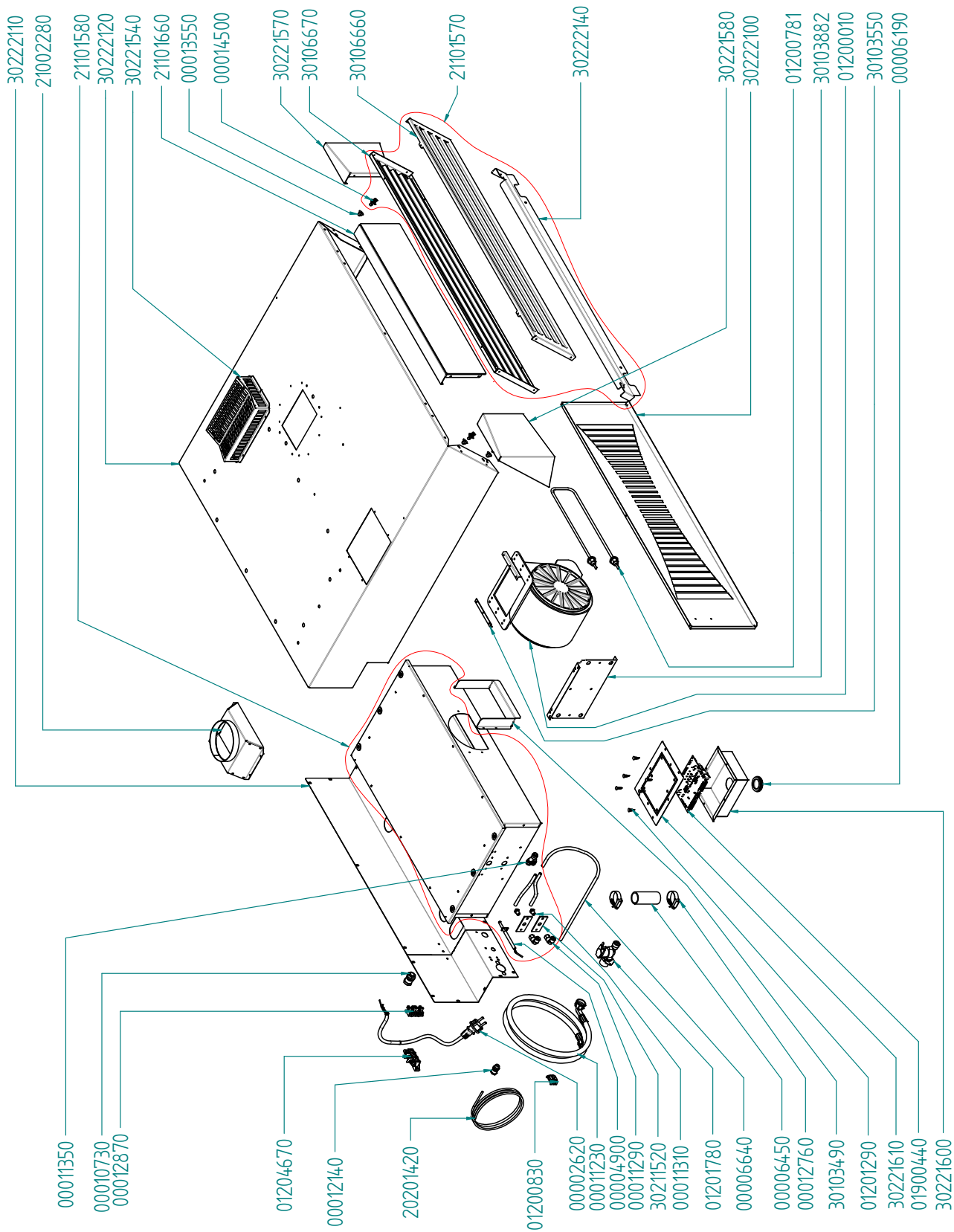
MADE IN ITALY

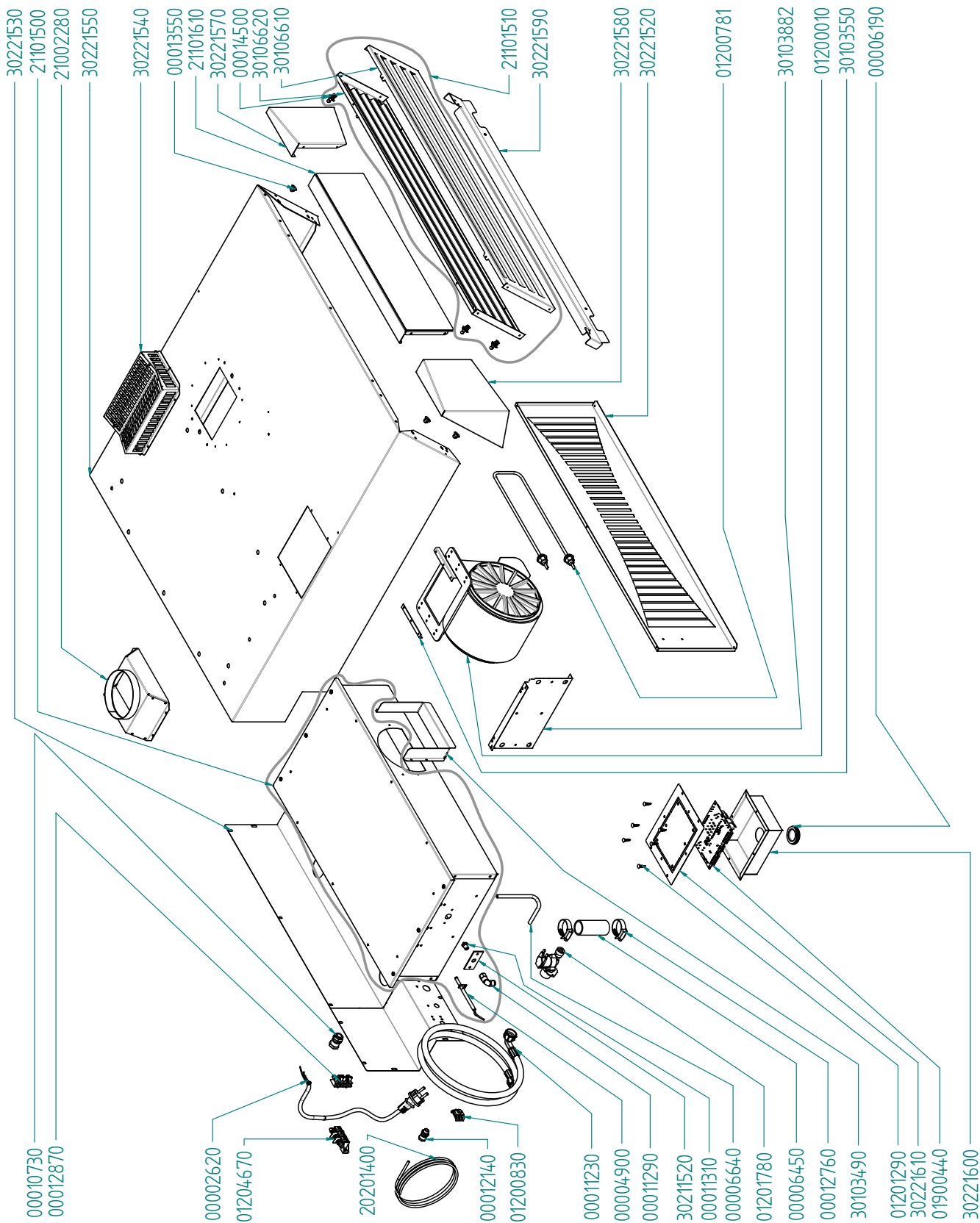
MUFFOLA POSTERIORE



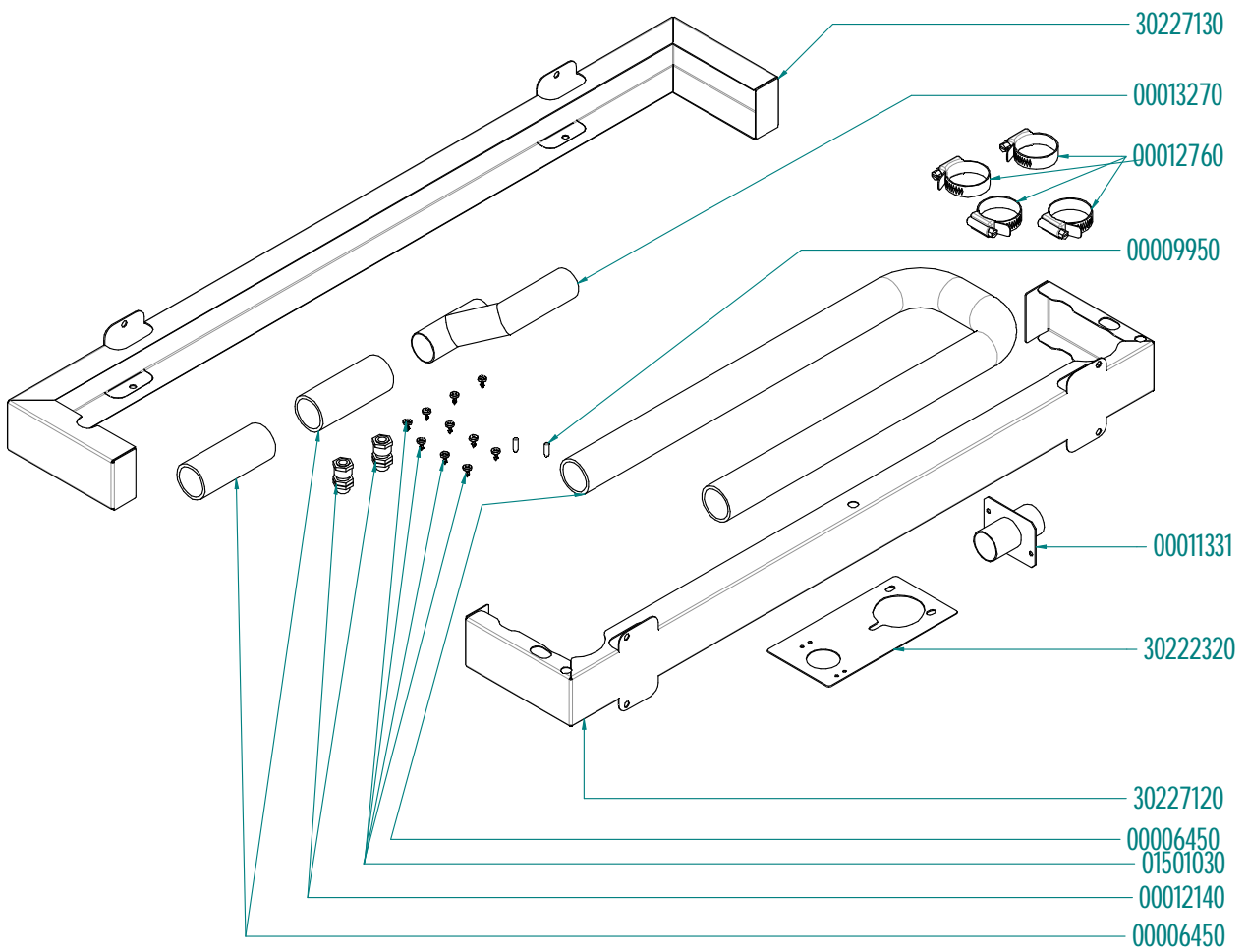
PORTA DESTRA

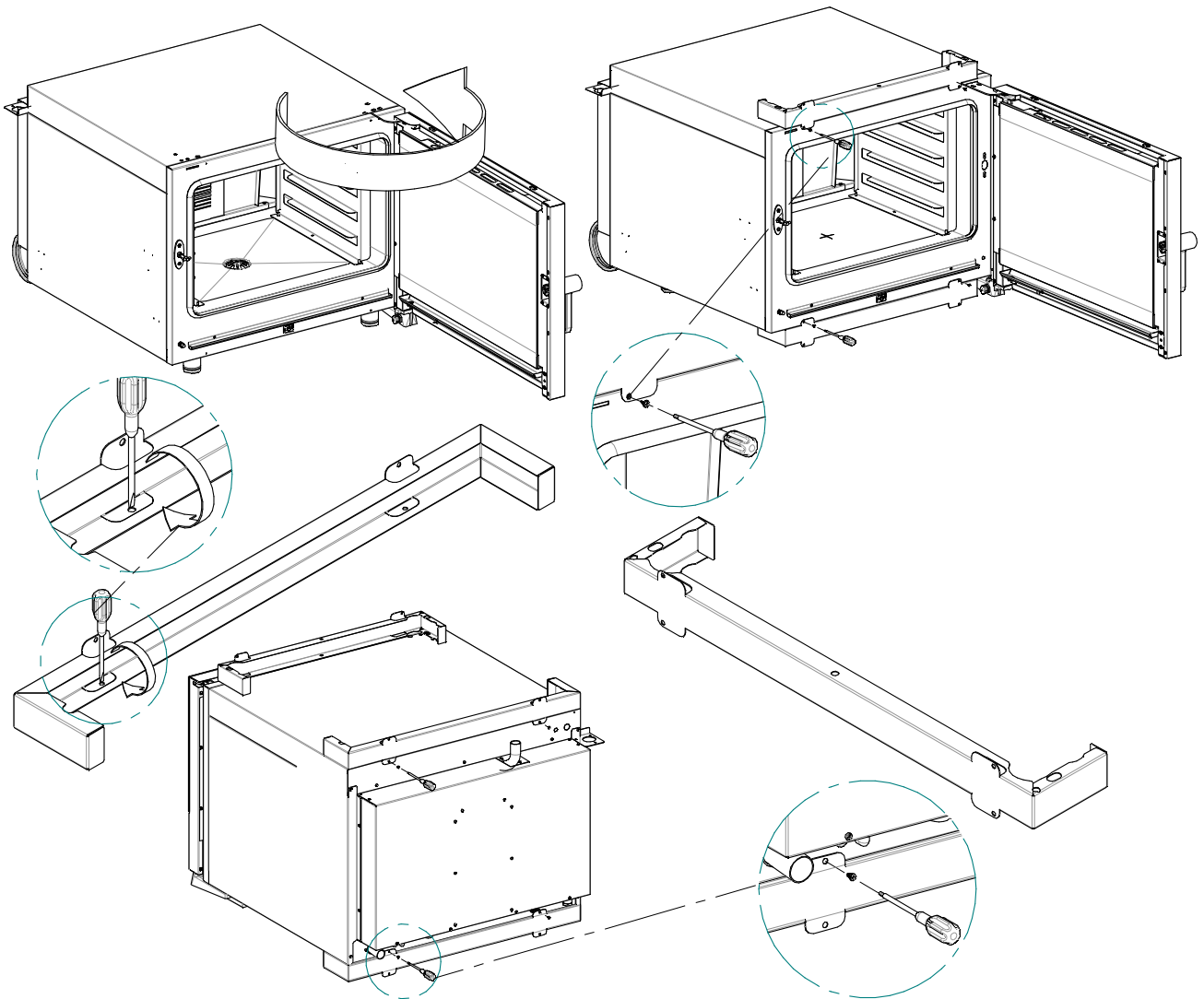


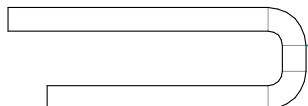




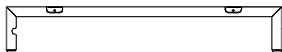







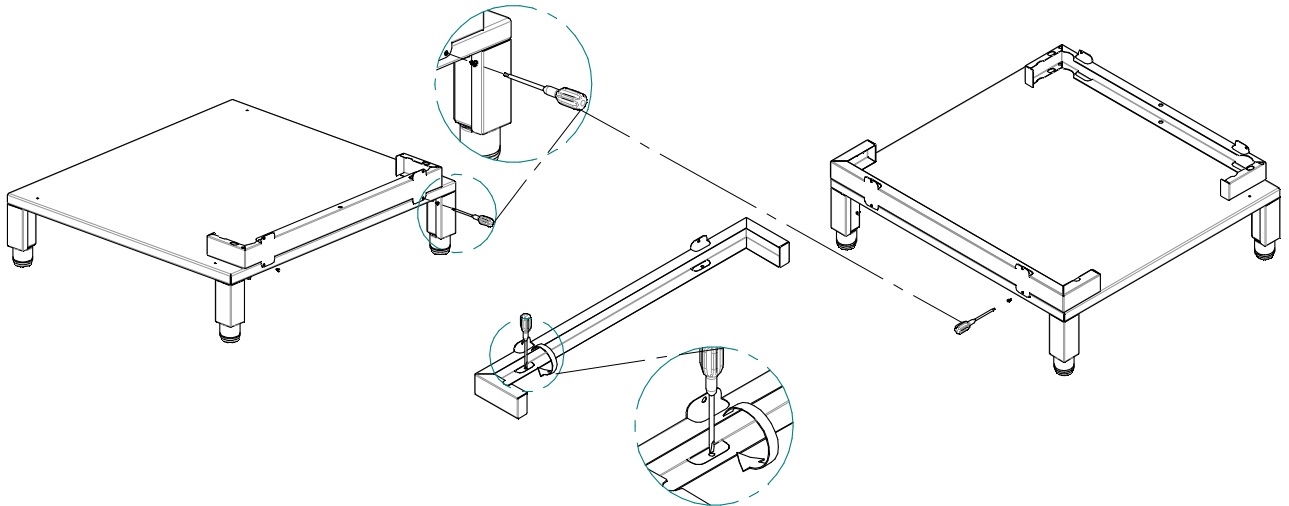
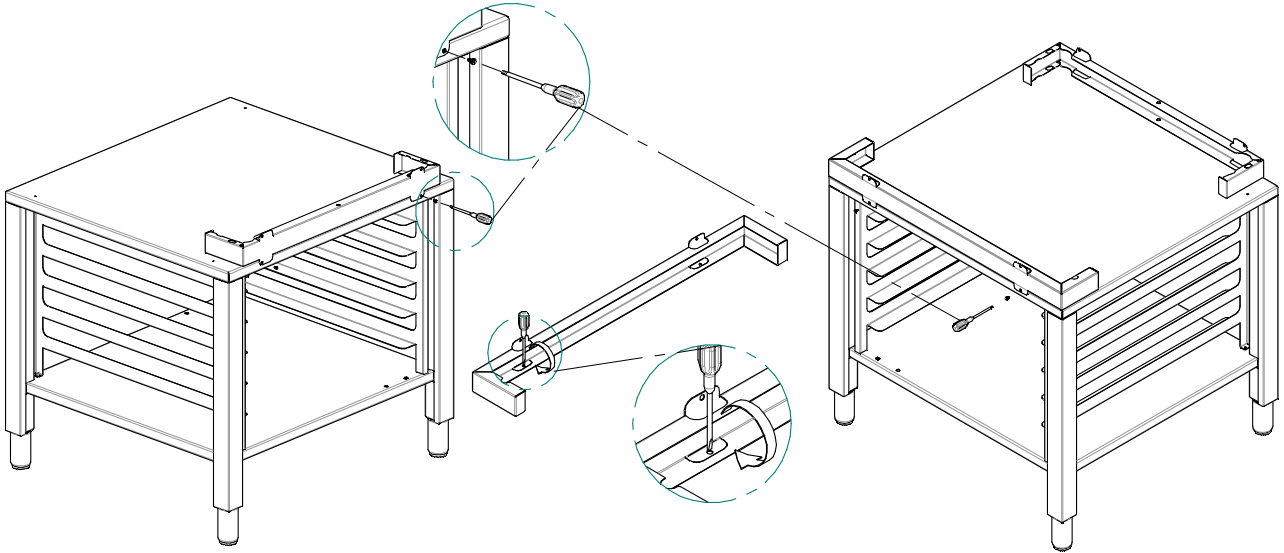


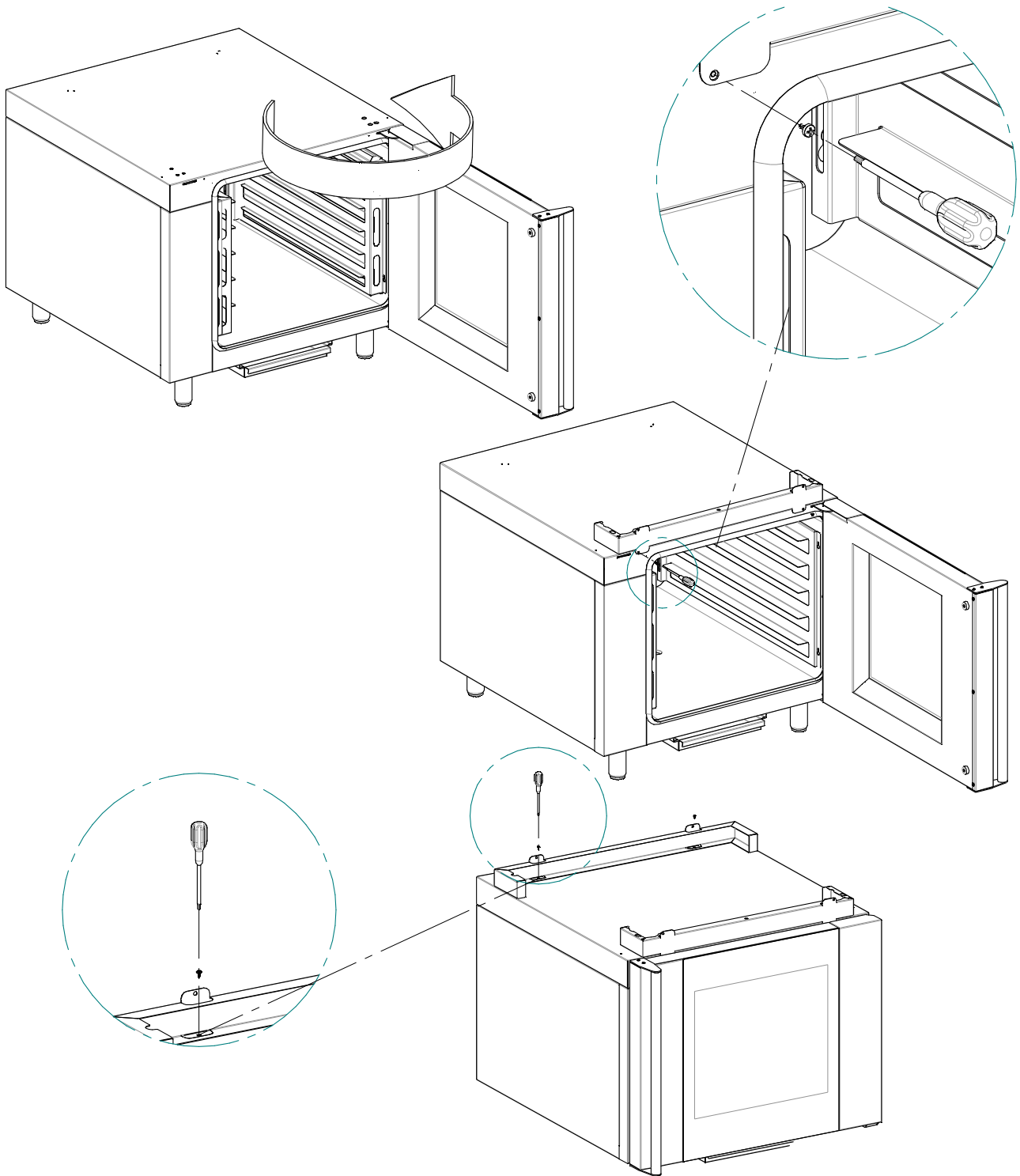
HOOD 4610

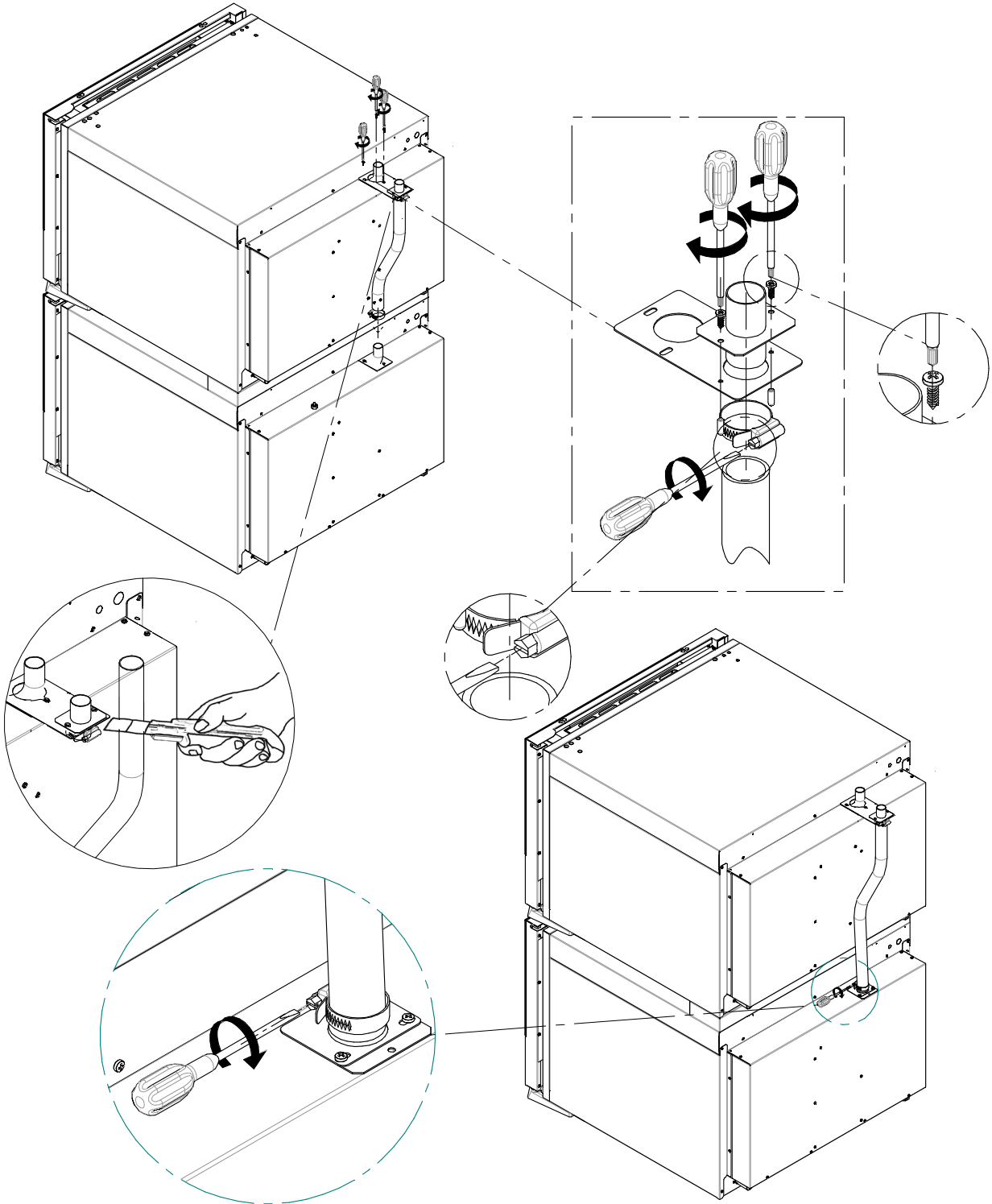


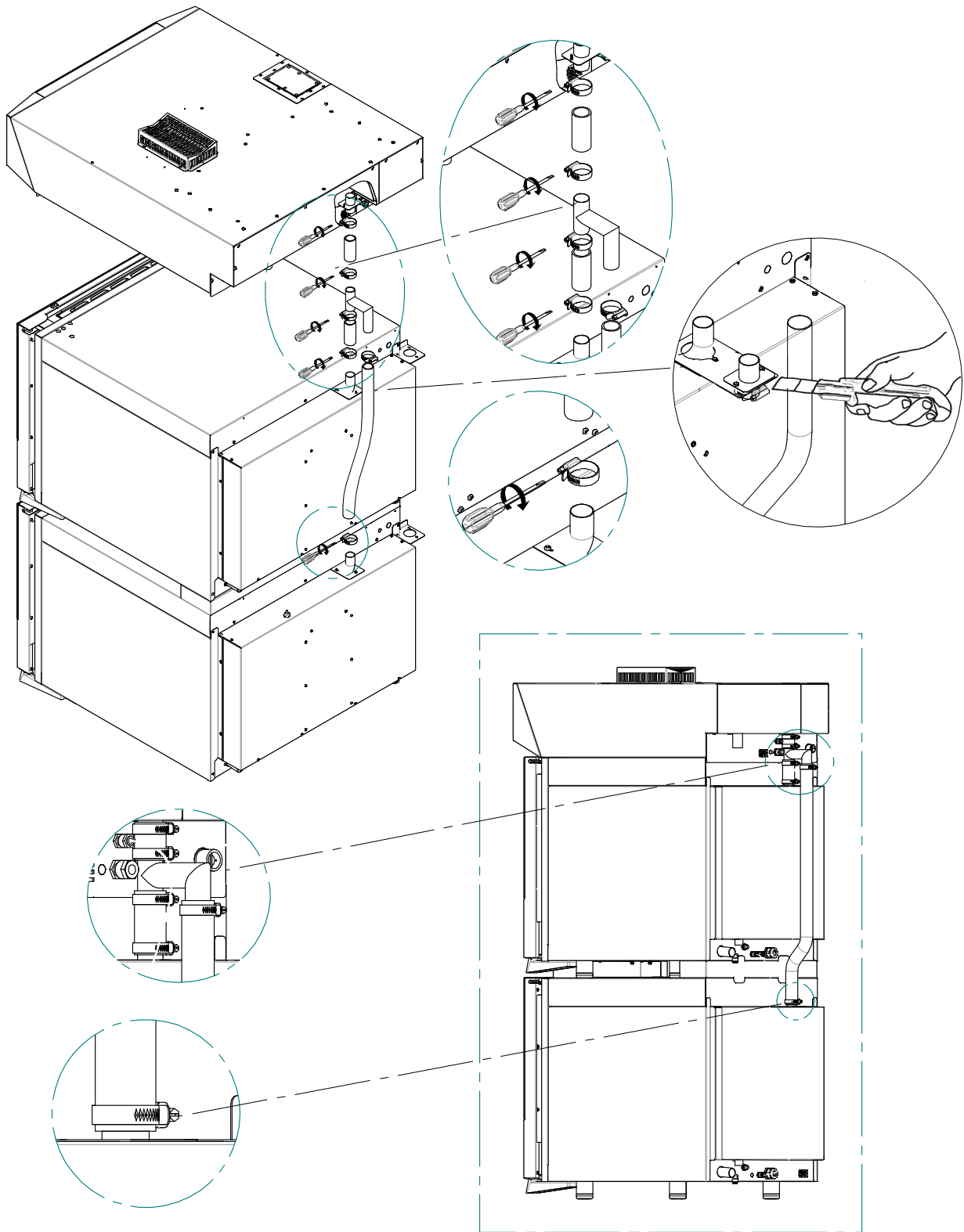


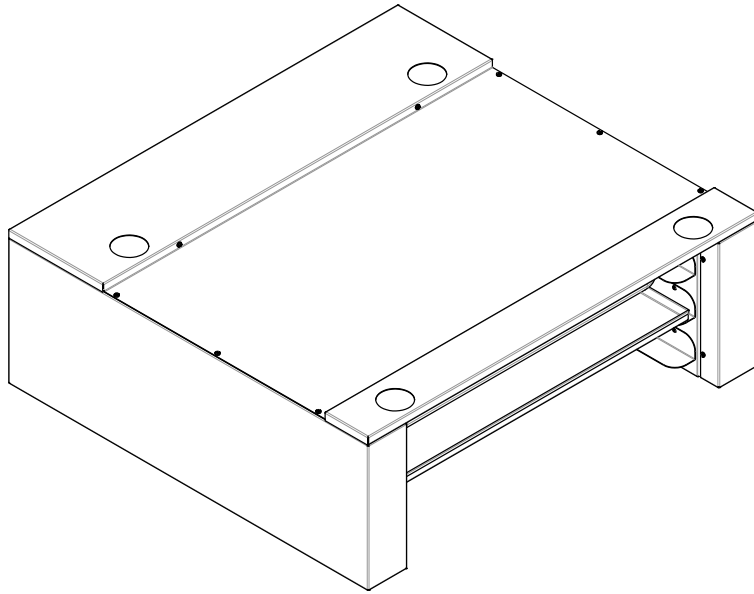
-  1 X 00006450
-  1 X 00013270
-  1 X 30227120
-  2X 00006450
-  1 X 00011331
-  1 X 30227130
-  2 X 00012140
-  4 X 00012760
-  1 X 30222320
-  2 X 00009950
-  10 X 01501030
VITE AUTOFILETTANTE TC
IMPRONTA A CROCE-PHILLIPS
4,2X9,5 NIKELATA UNI 6954 DIN
7981



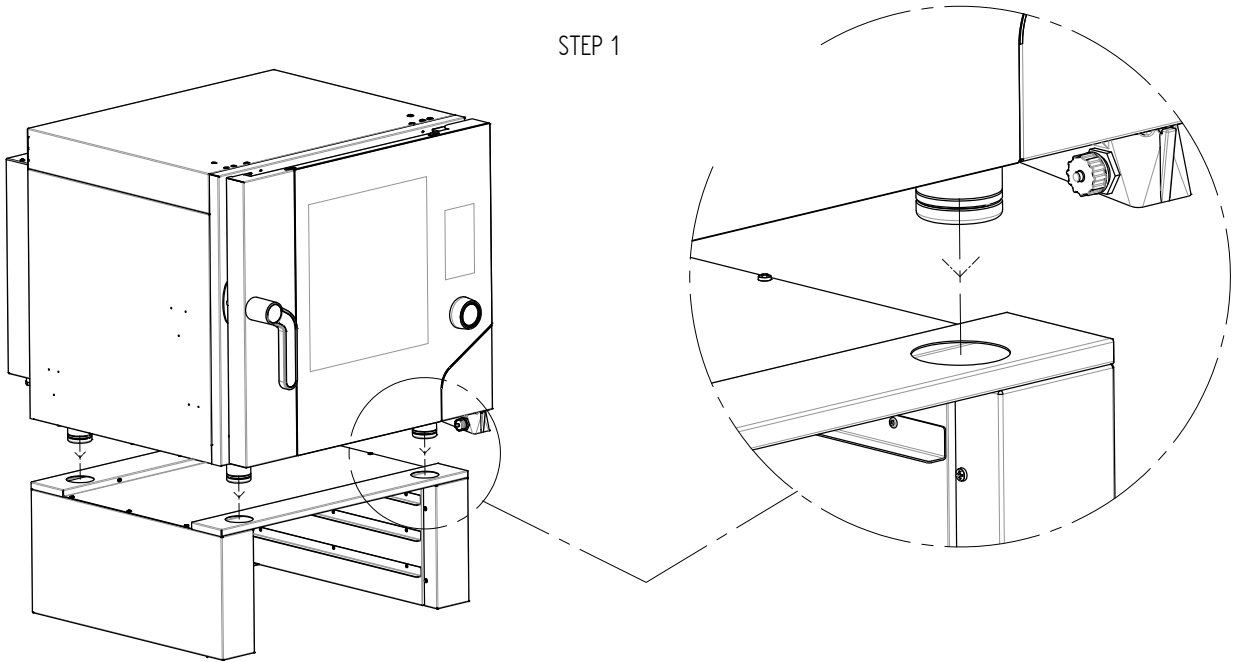




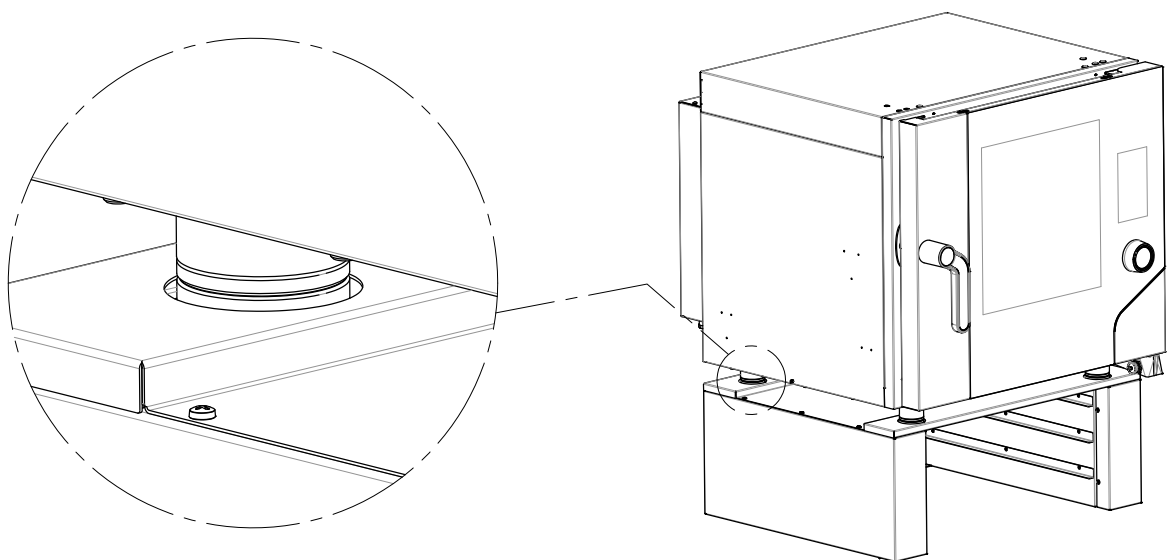


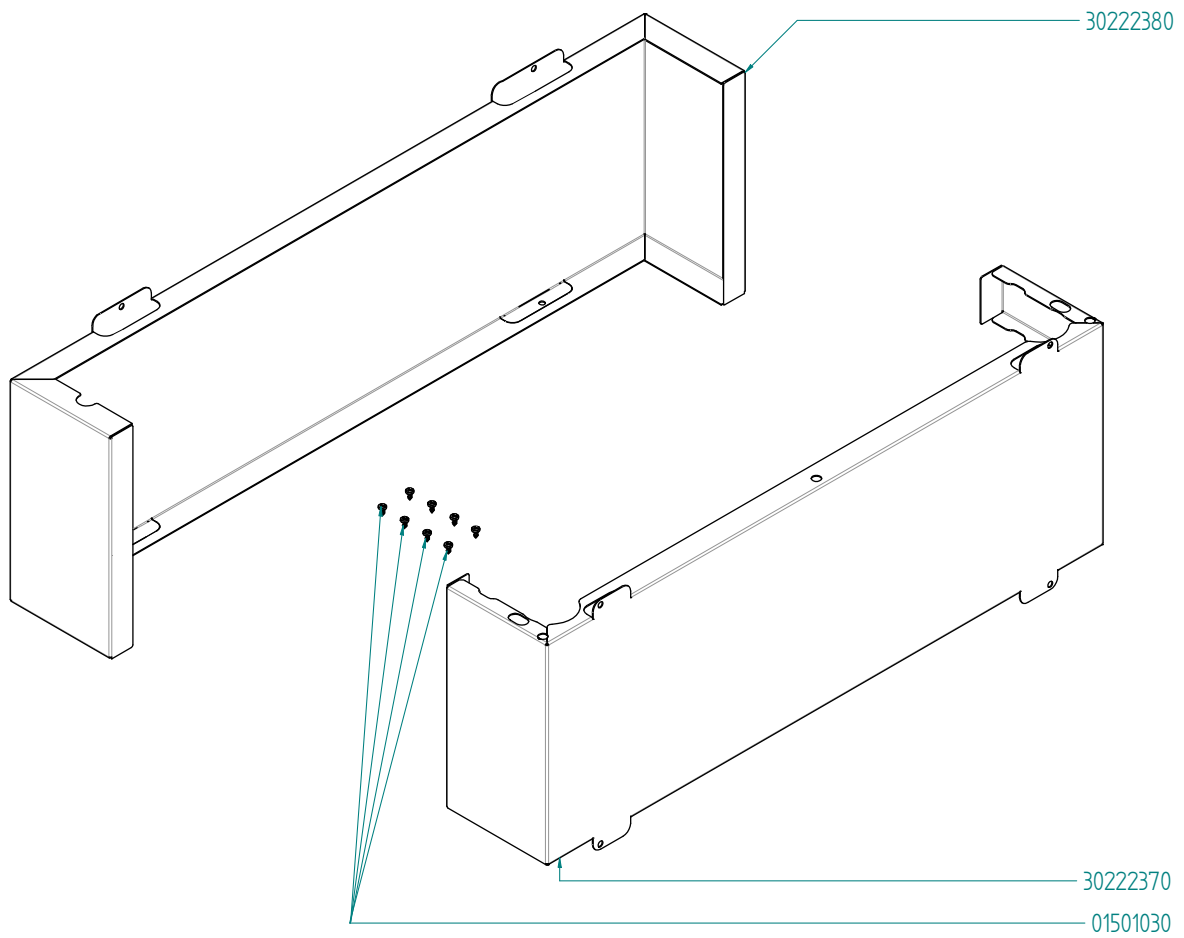


STEP 1

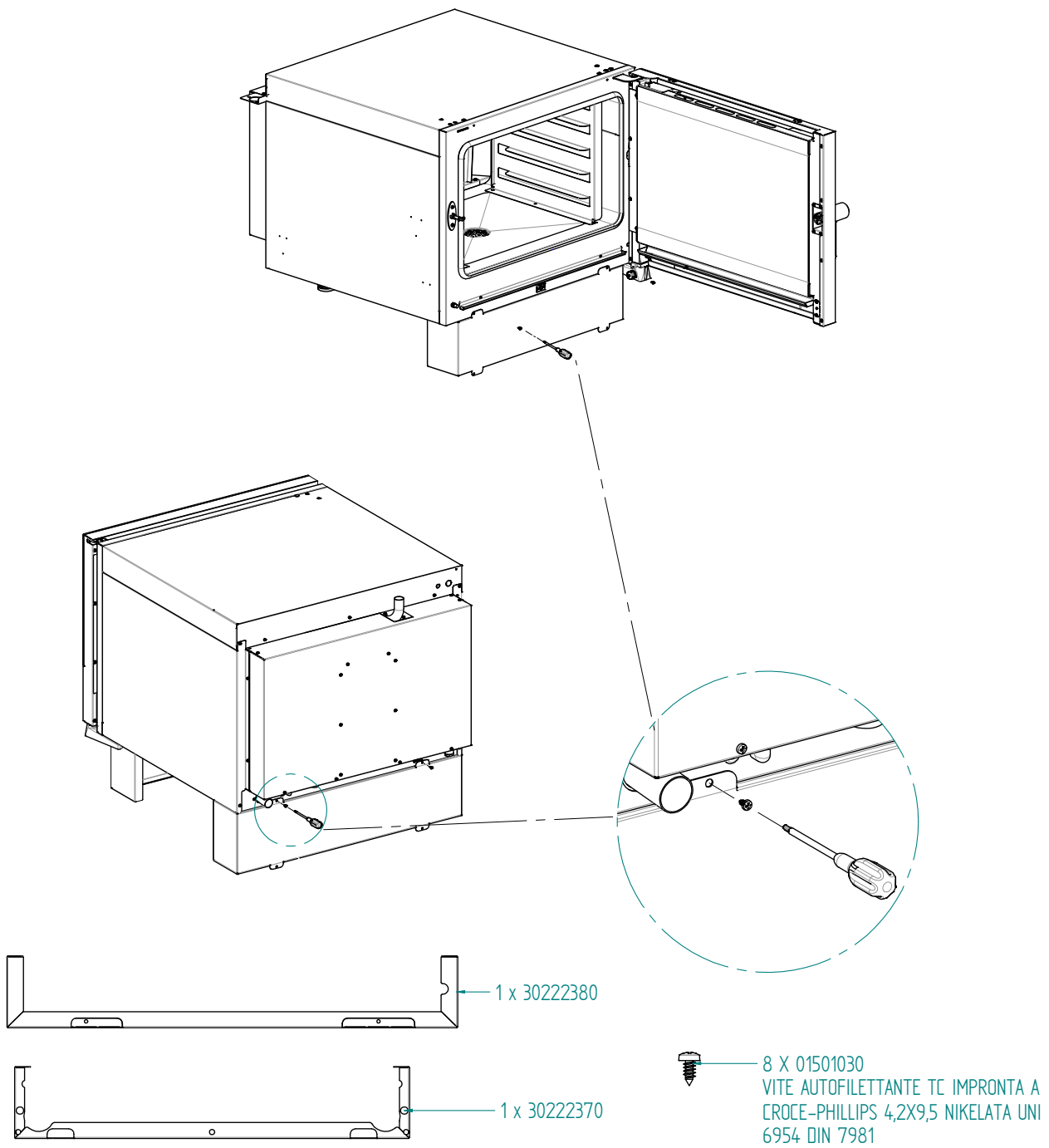


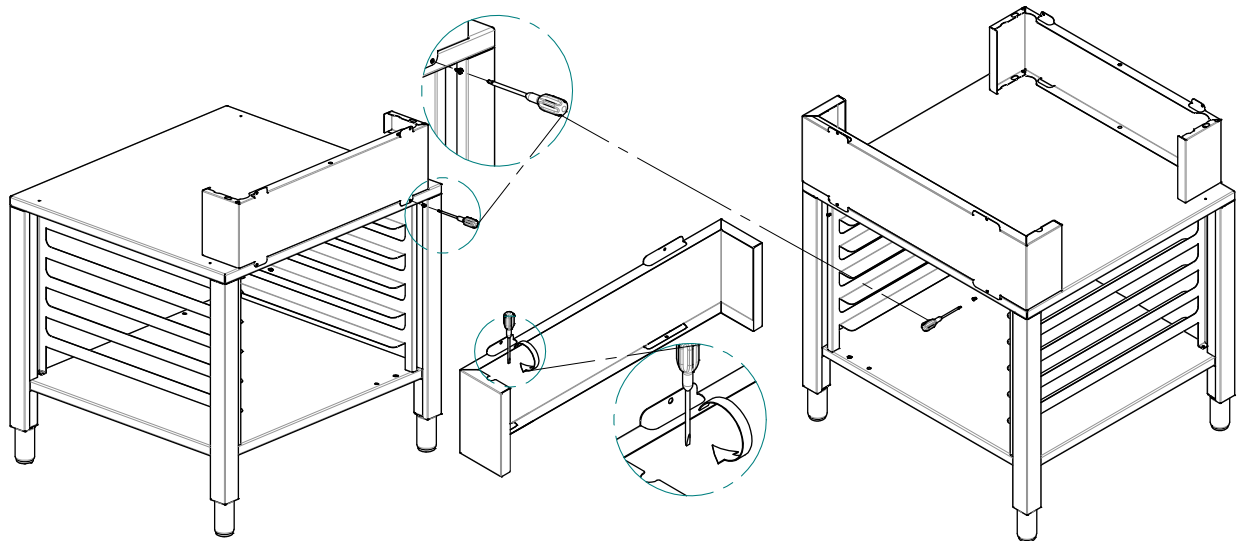
STEP 2

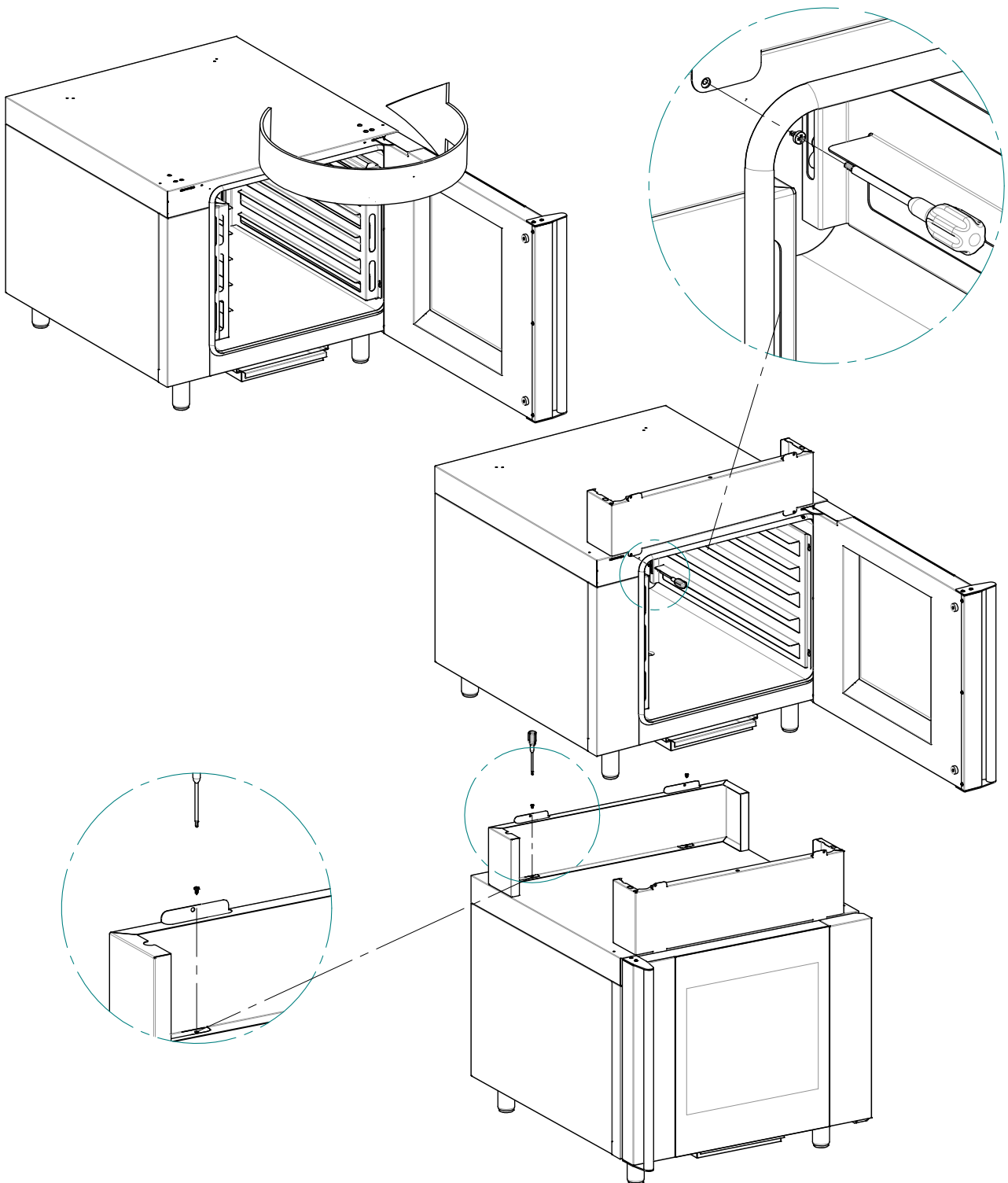


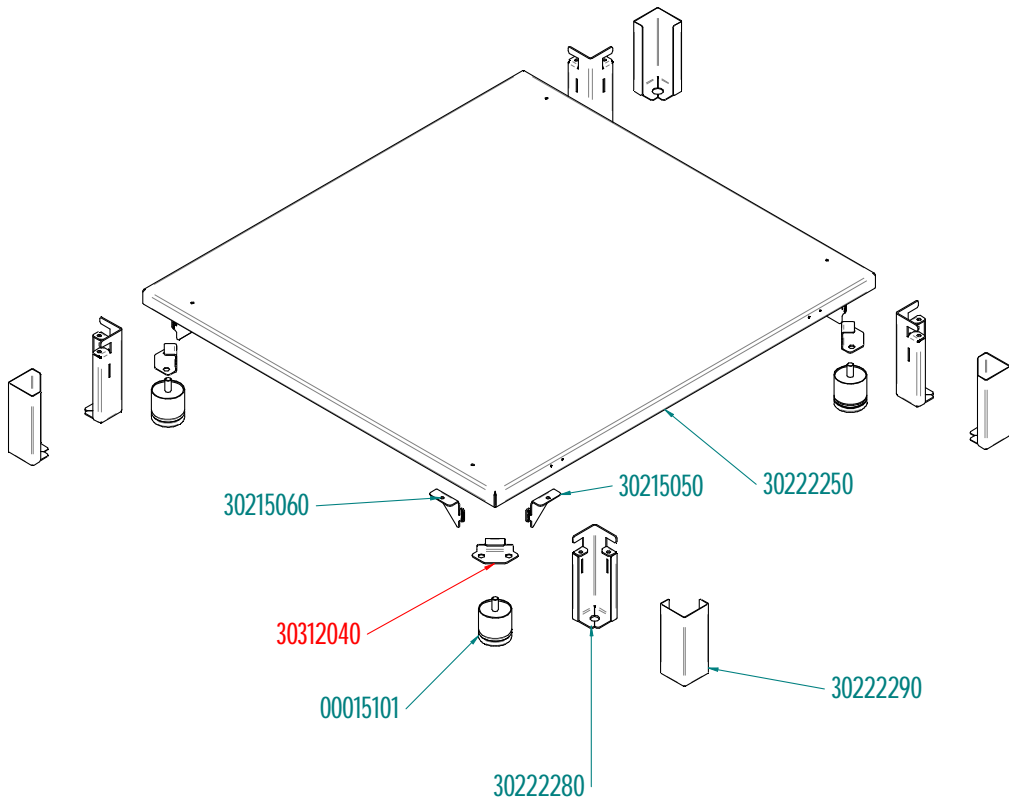


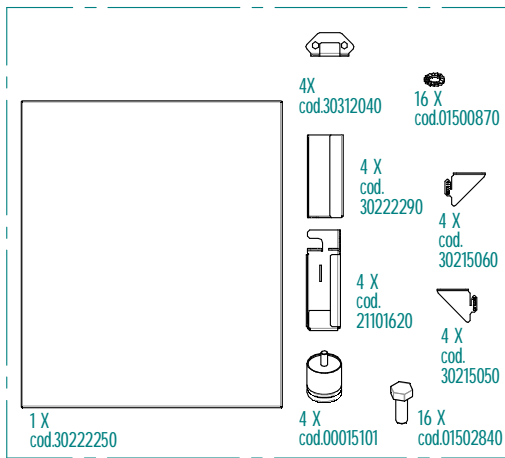
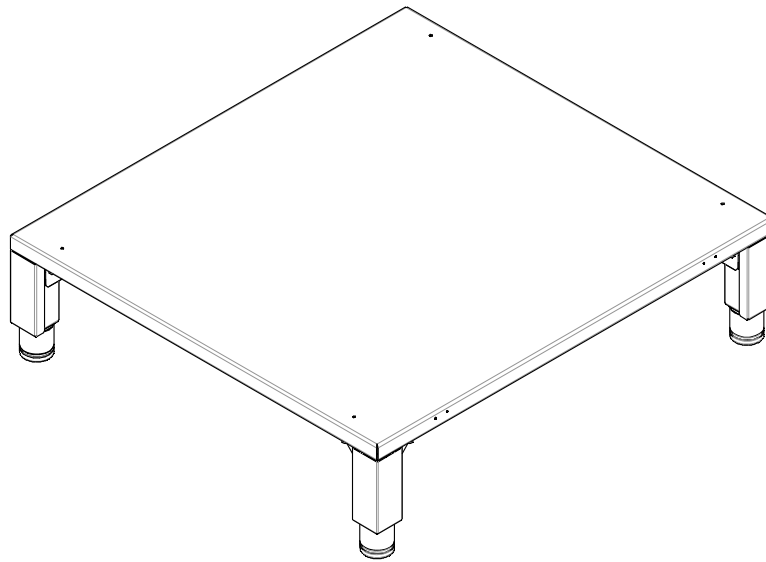
MADE IN ITALY



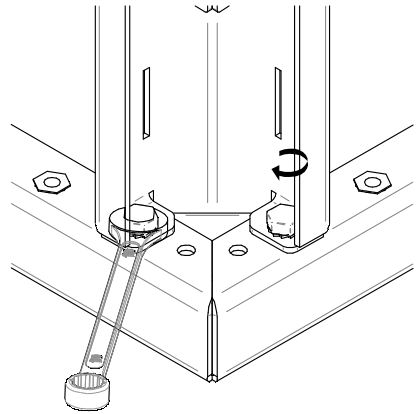
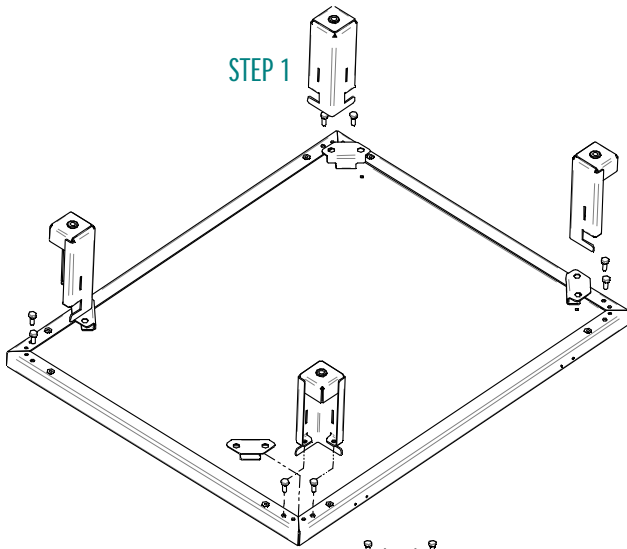




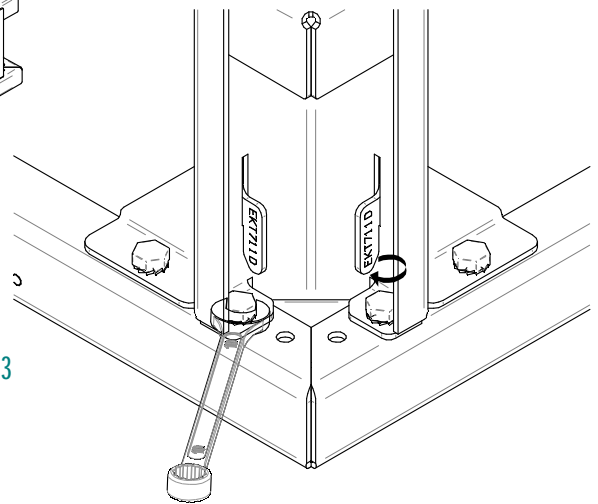
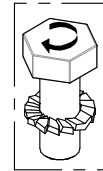
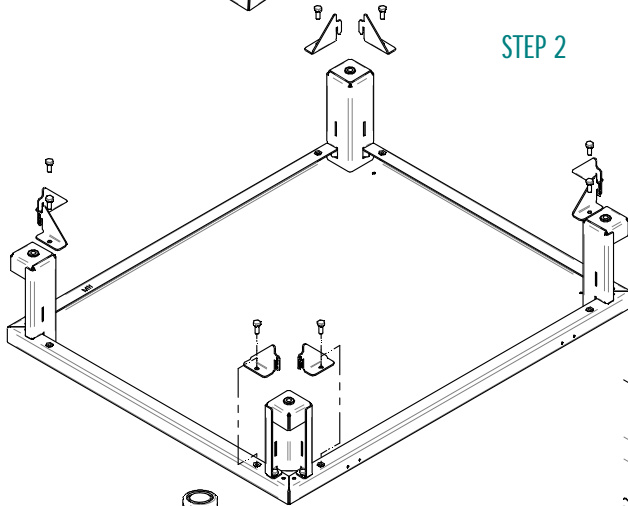




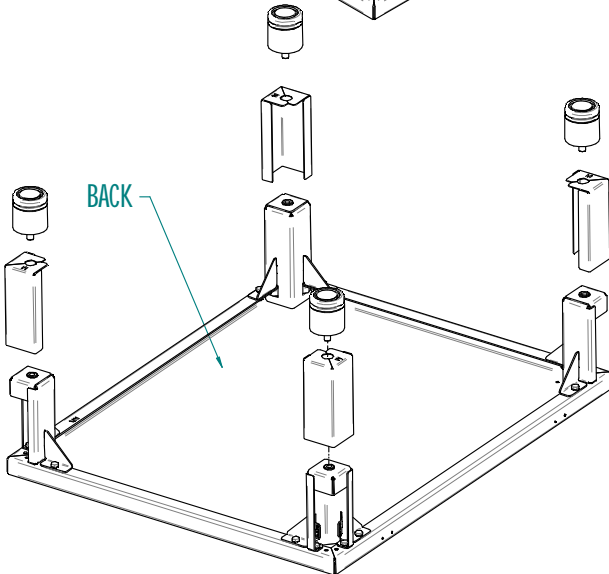
STEP 1

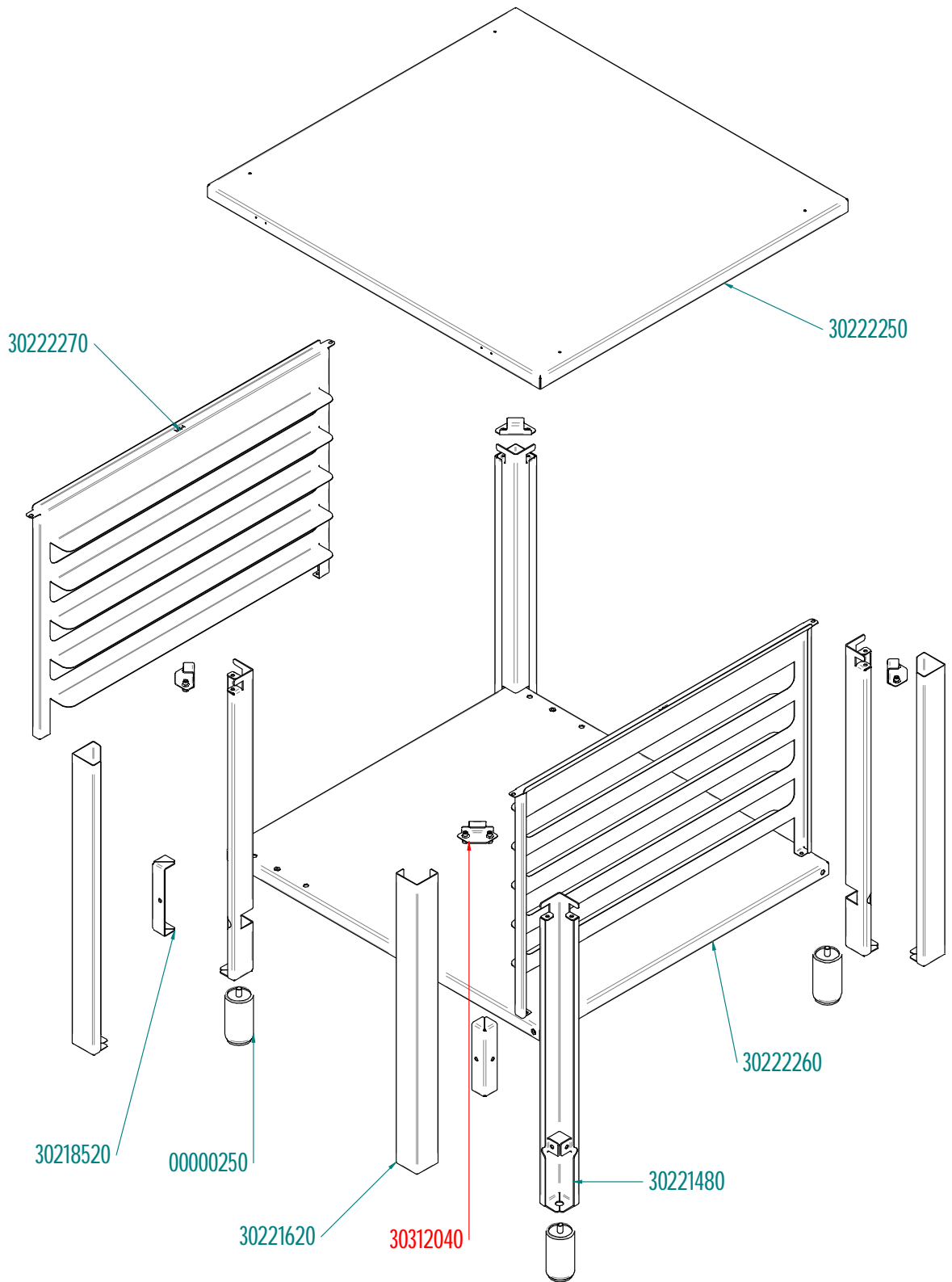


STEP 2

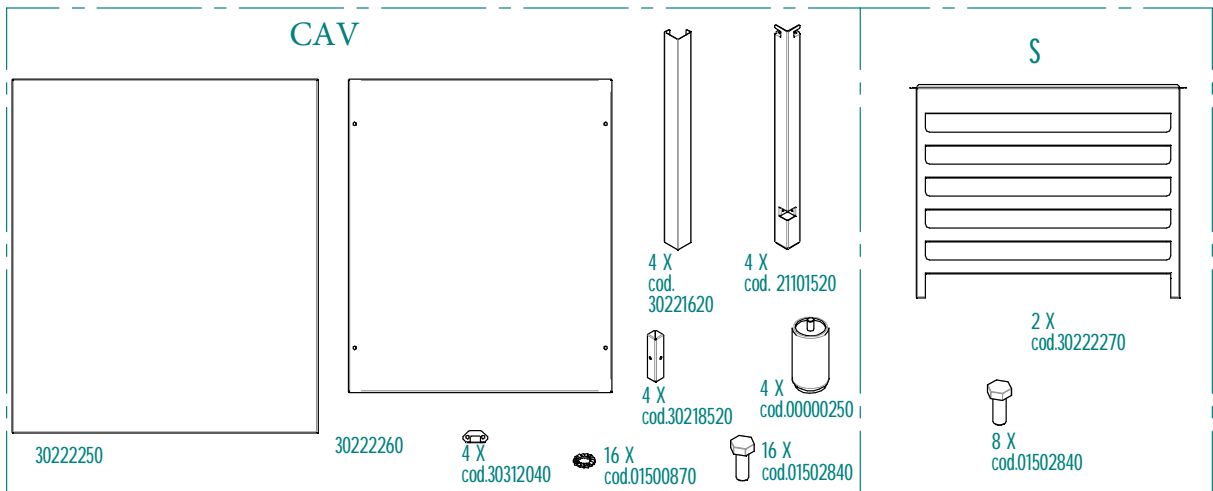
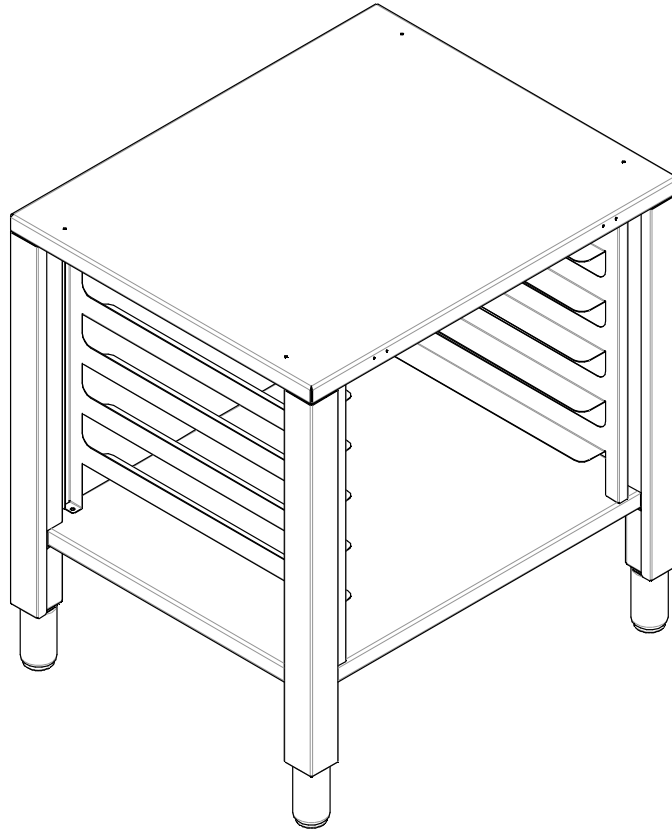


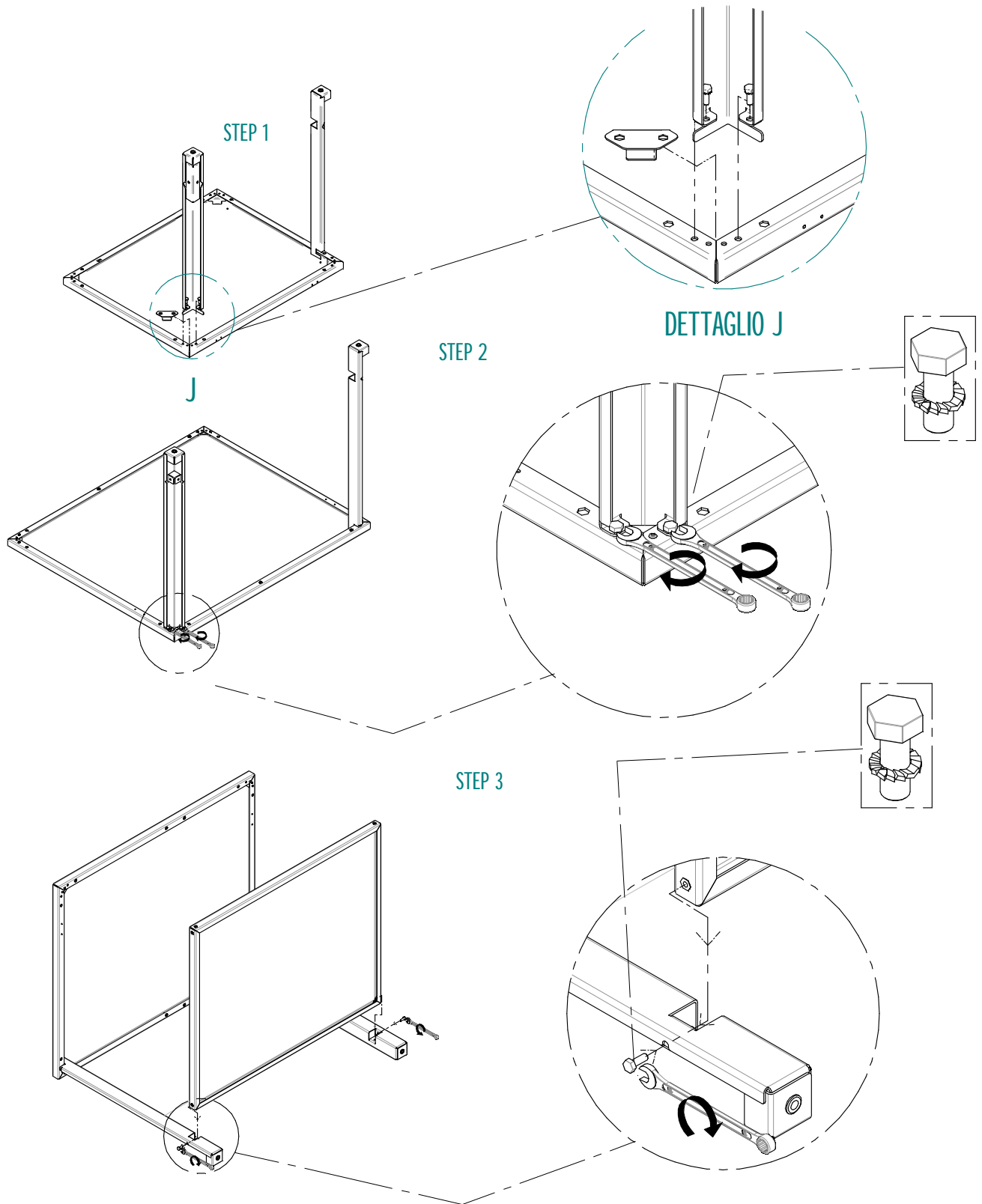
STEP 3



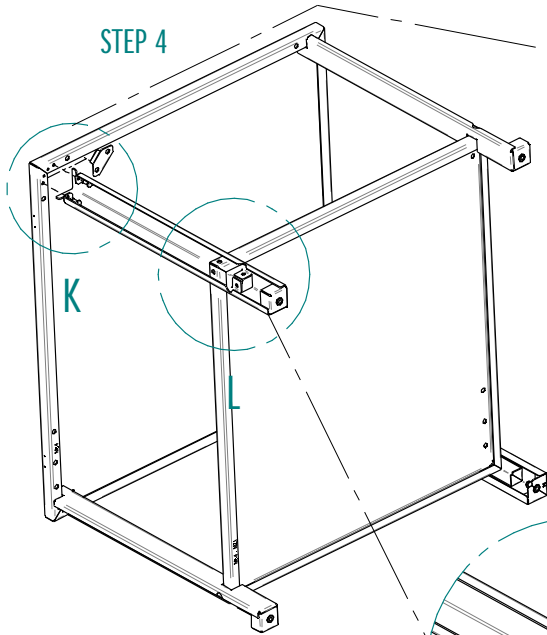


CAV S64

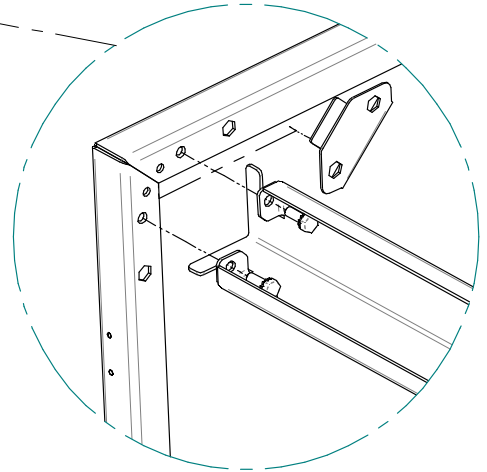




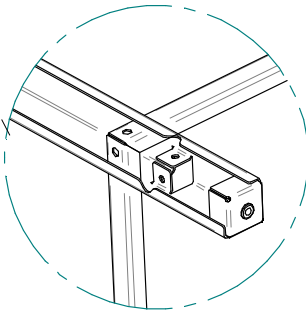
STEP 4



STEP 4 R

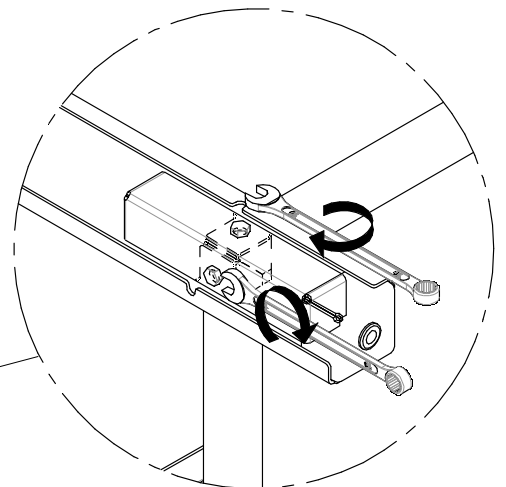
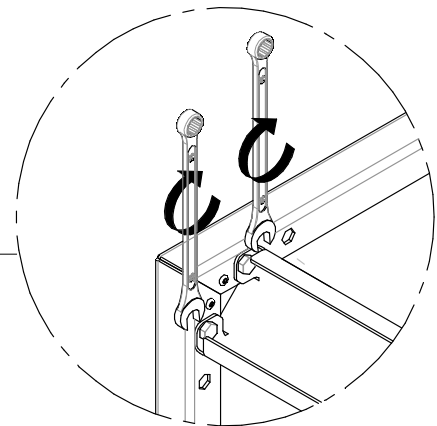
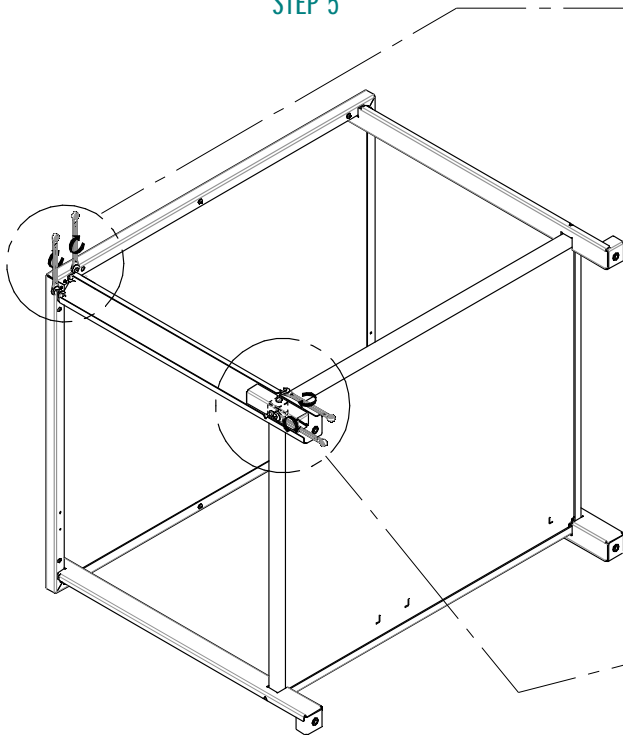


DETTAGLIO K

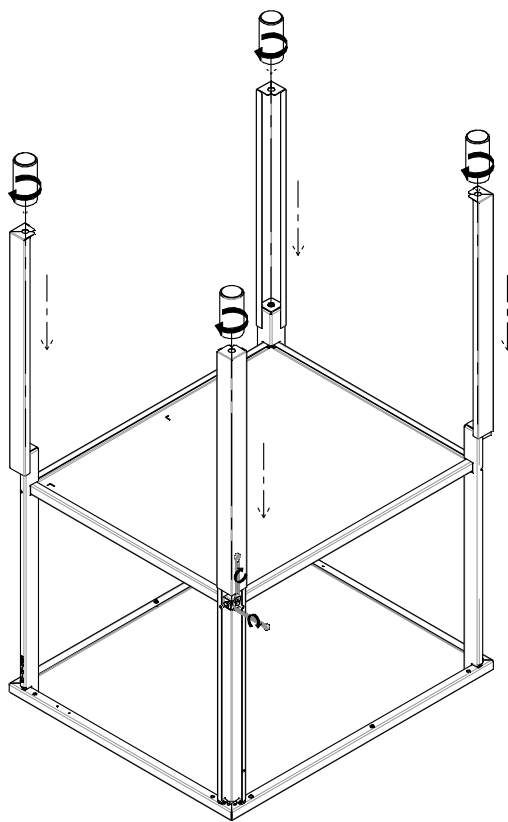


DETTAGLIO L

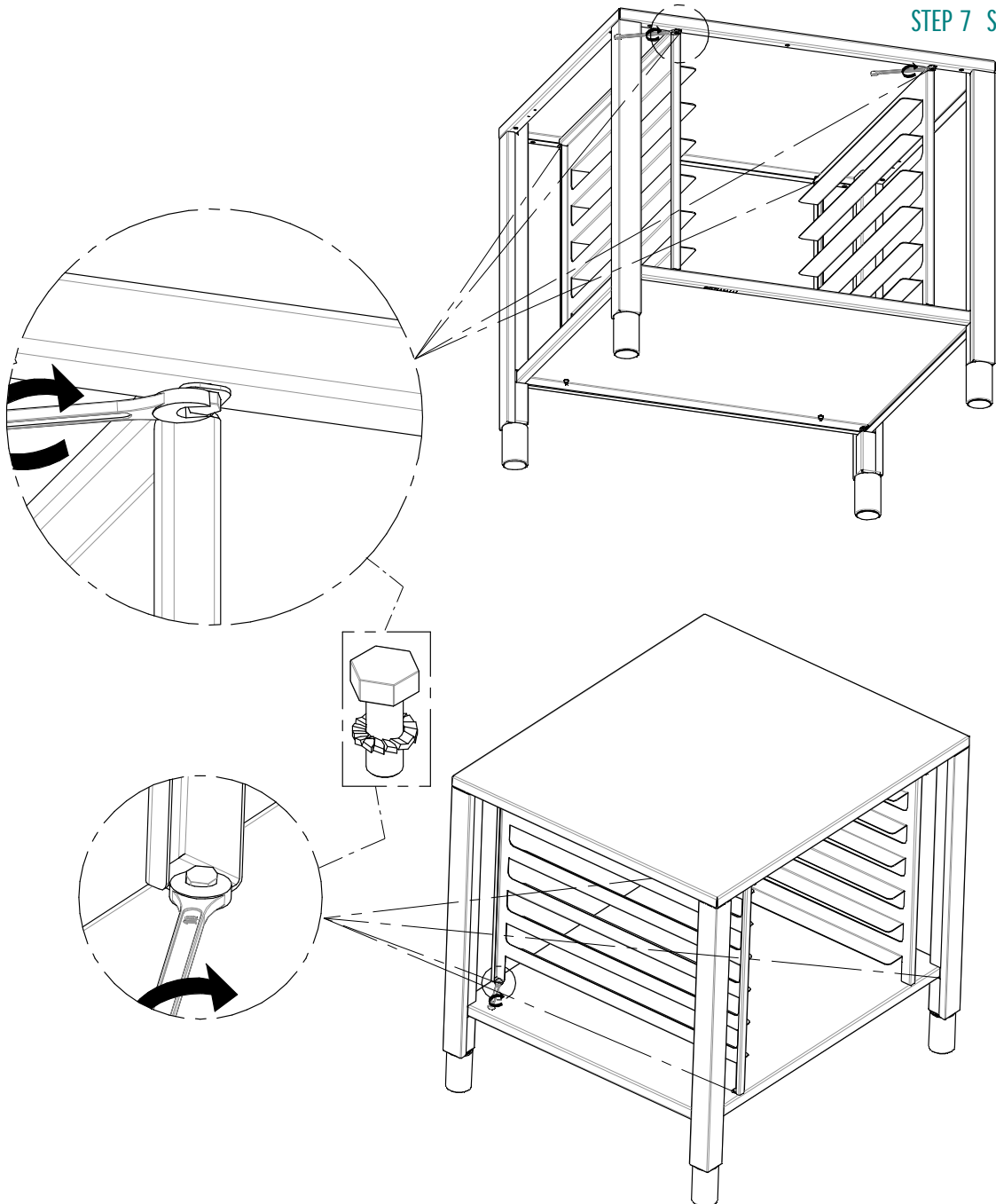
STEP 5



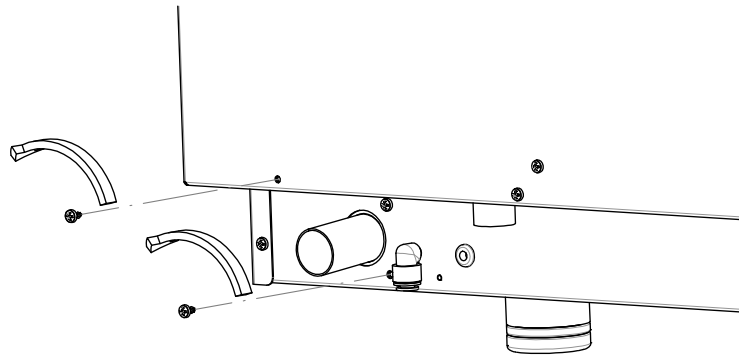
STEP 6



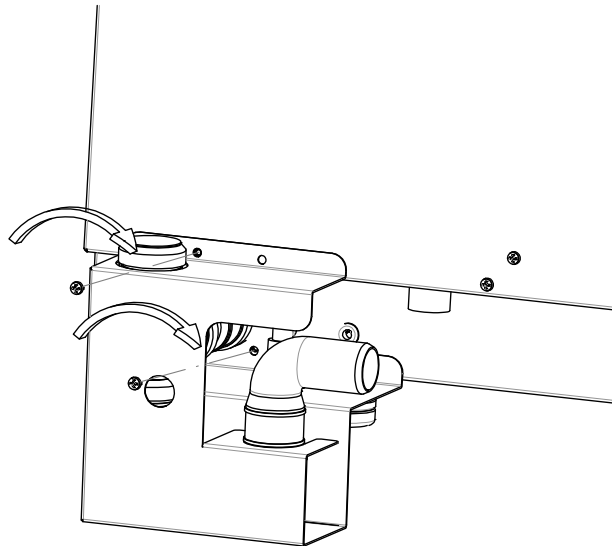
STEP 7 S



VISTA POSTERIORE: FASE 1



VISTA POSTERIORE: FASE 2



mac.pan
bakery solutions since 1983

www.macpan.com