

# Spare parts

<b>5.1</b>	<b>Description</b>
<b>5.2</b>	<b>Spare parts</b>
	Front
	Stove
	Cooking chamber unit
	Steam extraction system
	Casing
	Covering

## 5.1 Description

In replacing any components always use original replacements.

To order spare parts, identify the model and mention the serial number on the EC rating plate of the oven.

Cites the paragraph, position, reference and description of the part to be replaced as shown in this instruction book.

For electrical components, refer also to the descriptions contained in the "electrical information" section of this manual.

Inform the authorized retailer or our service office of the description and quantity desired.

Upon receipt of your communication we will supply you with all the information relative to your request and ask your authorization to ship.

In case of parts not contemplated in the spare parts section, contact our service office.

Model

Serial number

Year of manufacture

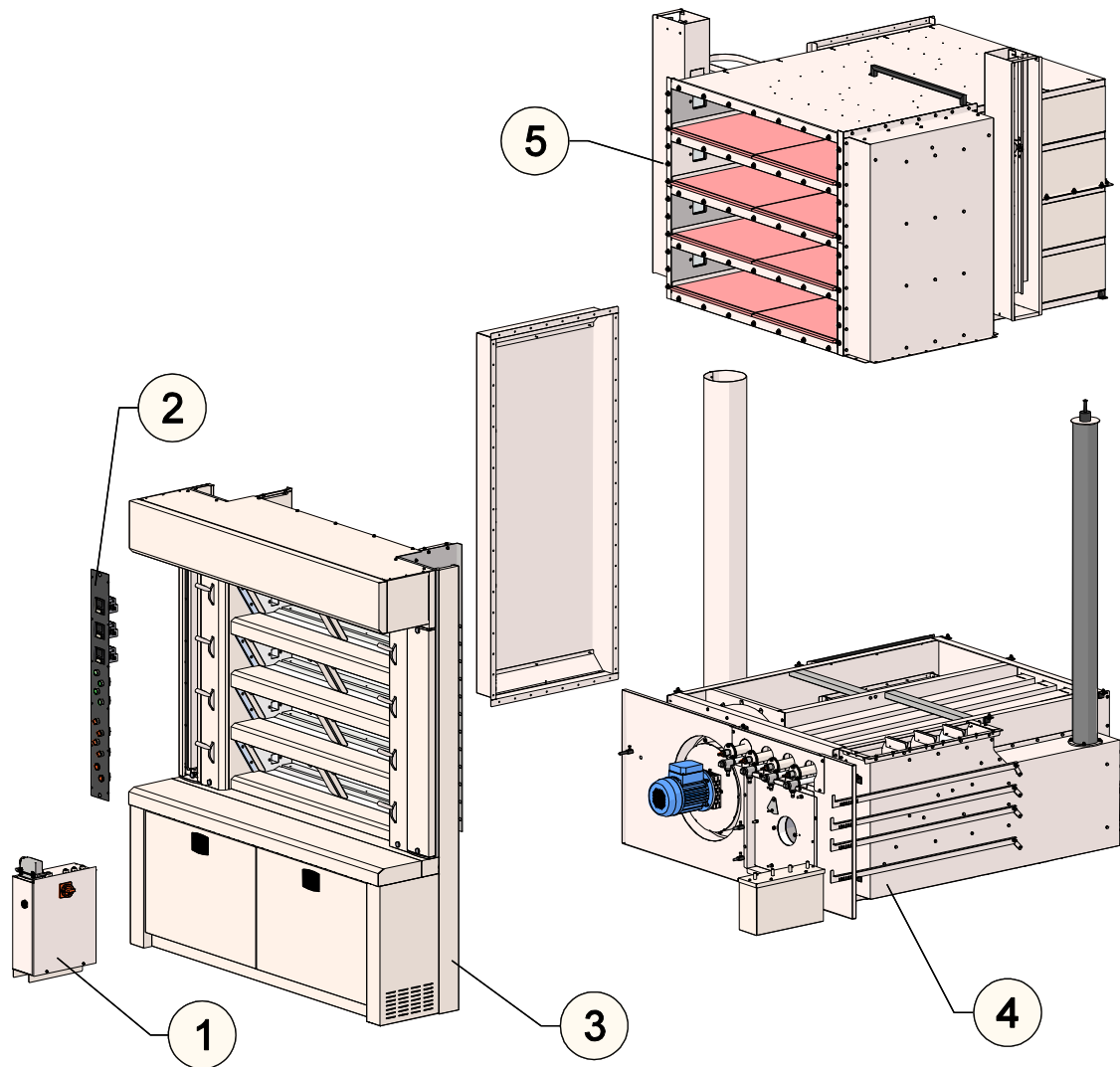
Part code number

Denomination

Quantity

5.2 Spare parts

FIG.0



- 1 Electric board (power section)
- 2 Electric board (control section)
- 3 Front
- 4 Stove
- 5 Cooking chamber unit

see annex F

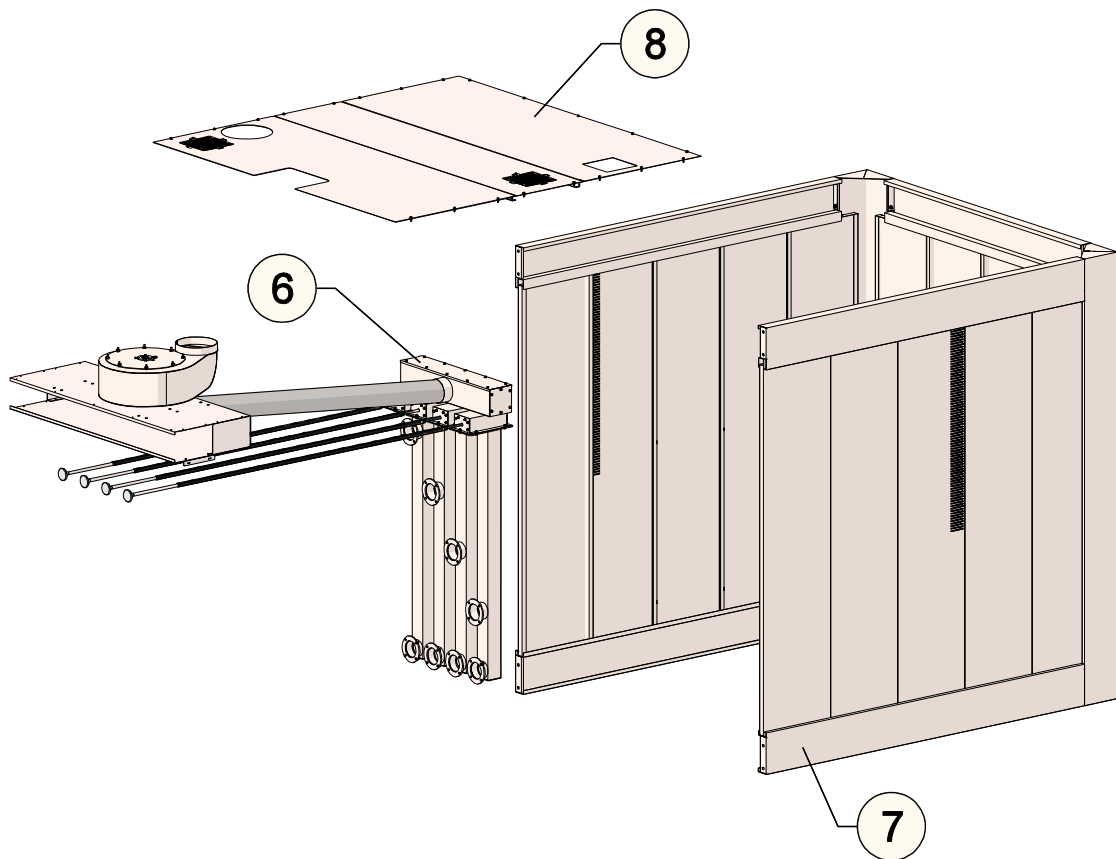
see annex F

pagina 6

pagina 9

pagina 12

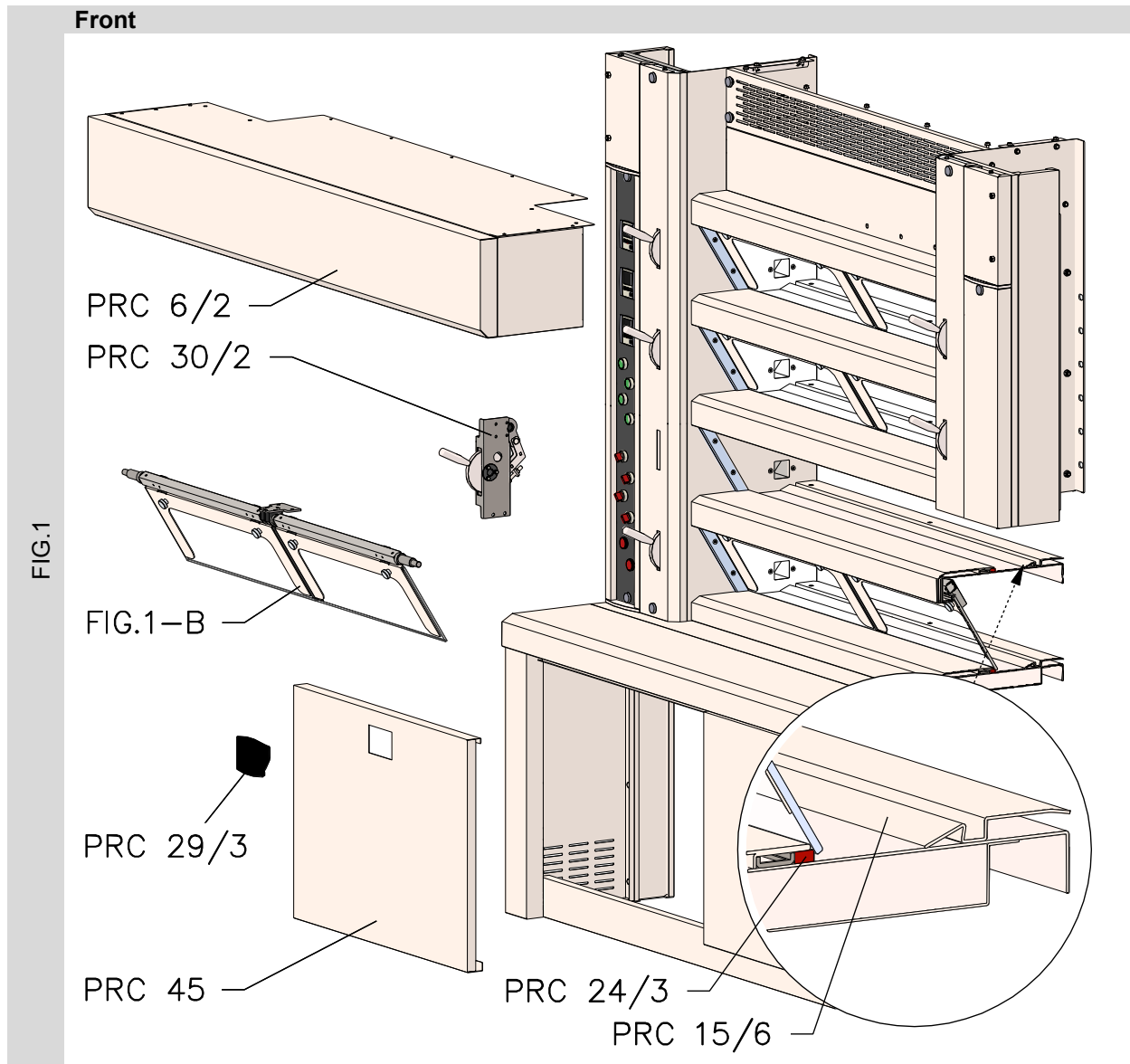




- 6** Steam extraction system
- 7** Casing
- 8** Covering

see annex **EC**  
pagina 14  
Pagina 15



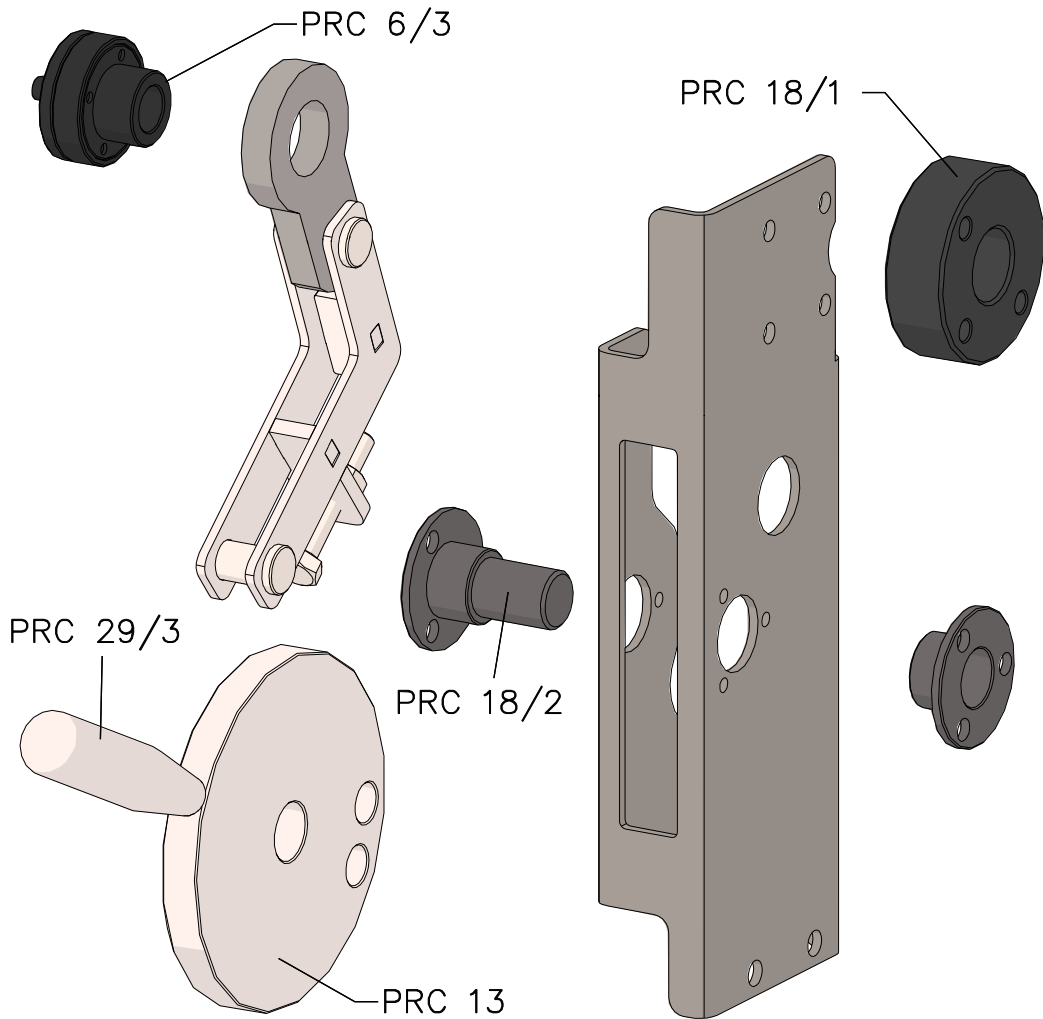


code

<b>PRC 6/2</b>	HOOD FOR ROTATIVE OVEN
<b>PRC 30/2</b>	MOTION ASSEMBLY FOR DOOR GLASS - DECK OVEN
<b>PRC 29/4</b>	HANDLE FOR PROOFER DOOR
<b>PRC 45</b>	SERVICE DOOR
<b>PRC 24/3</b>	DOOR GLASS GASKET
<b>PRR 15/6</b>	PROFILE FOR BAKING DECK BLOCKING

HANDLE ASSEMBLY

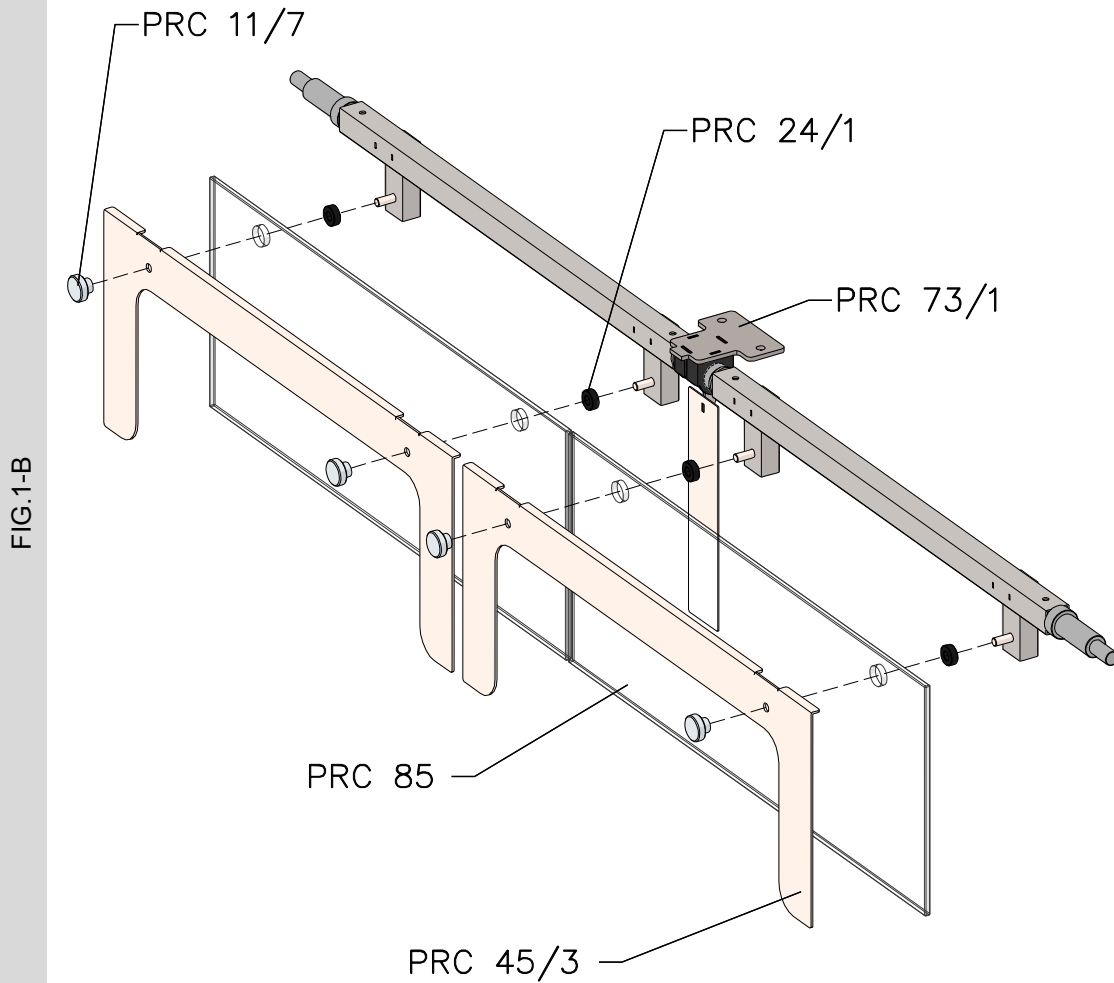
PRC 30/2



code

<b>PRC 6/3</b>	SELF-LOCKING COUPLING FOR DOOR GLASS MOTION
<b>PRC 18/1</b>	RING NUT FOR DOOR GLASS
<b>PRC 35/2</b>	FIXING PIN FOR DOOR GLASS MOTION
<b>PRC 18/2</b>	RING NUT FOR DOOR GLASS MOTION
<b>PRC 29/3</b>	HANDLE FOR DOOR GLASS
<b>PRC 13</b>	SUPPORT DISK FOR DOOR GLASS HANDLE

MOTION ASSEMBLY FOR DOOR GLASS



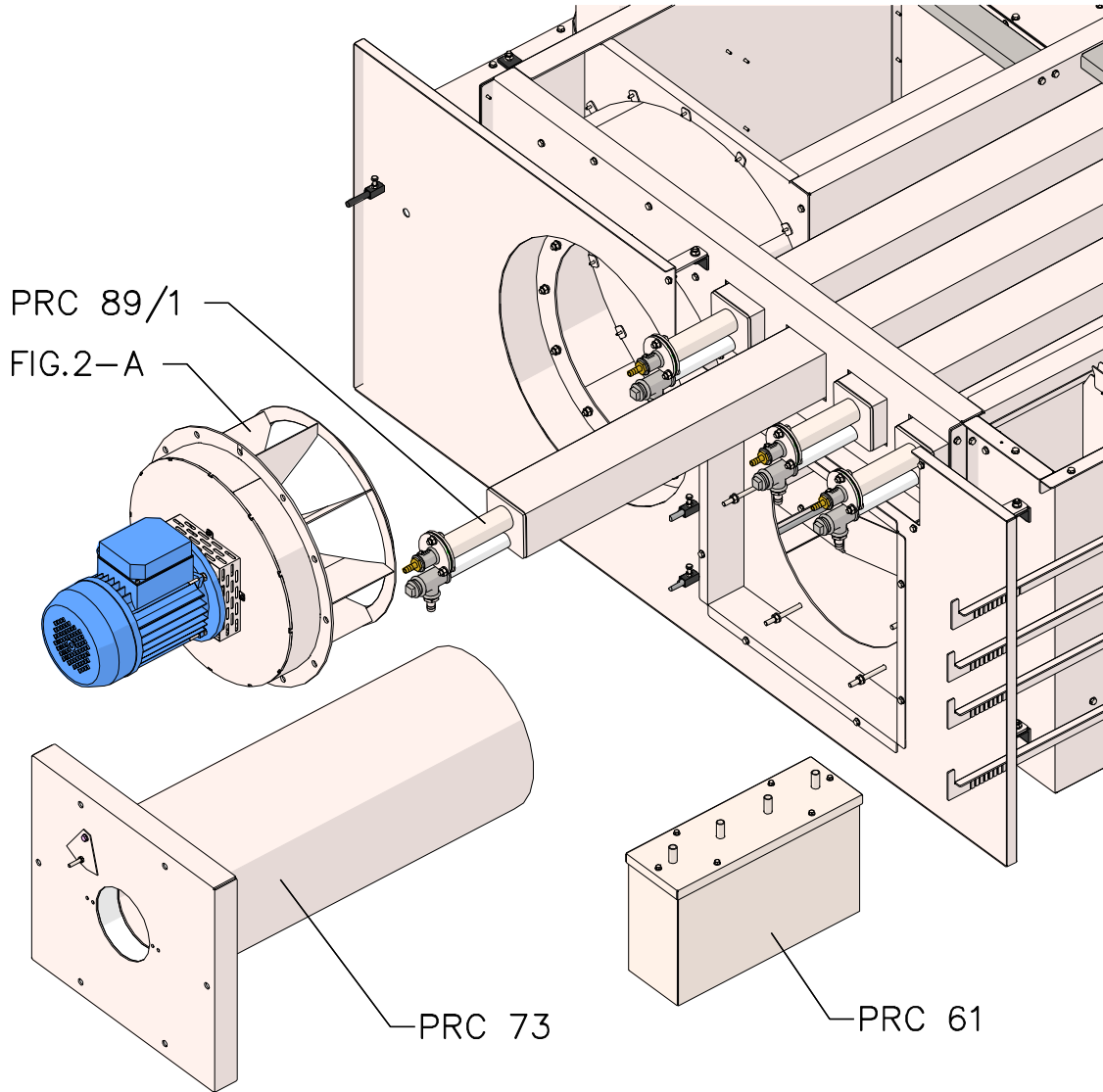
code

<b>PRC 11/7</b>	FASTENING NUT FOR DOOR GLASS
<b>PRC 24/1</b>	ROUND DOOR GLASS GASKET
<b>PRC 73/1</b>	SUPPORT PIPE FOR DOOR GLASS COMPLETE WITH BRACKETS AND ROTATION SHAFT
<b>PRC 85</b>	DOOR GLASS FOR DECK OVEN
<b>PRC 45/3</b>	DOOR GLASS PROTECTION - STAINLESS STEEL



Stove

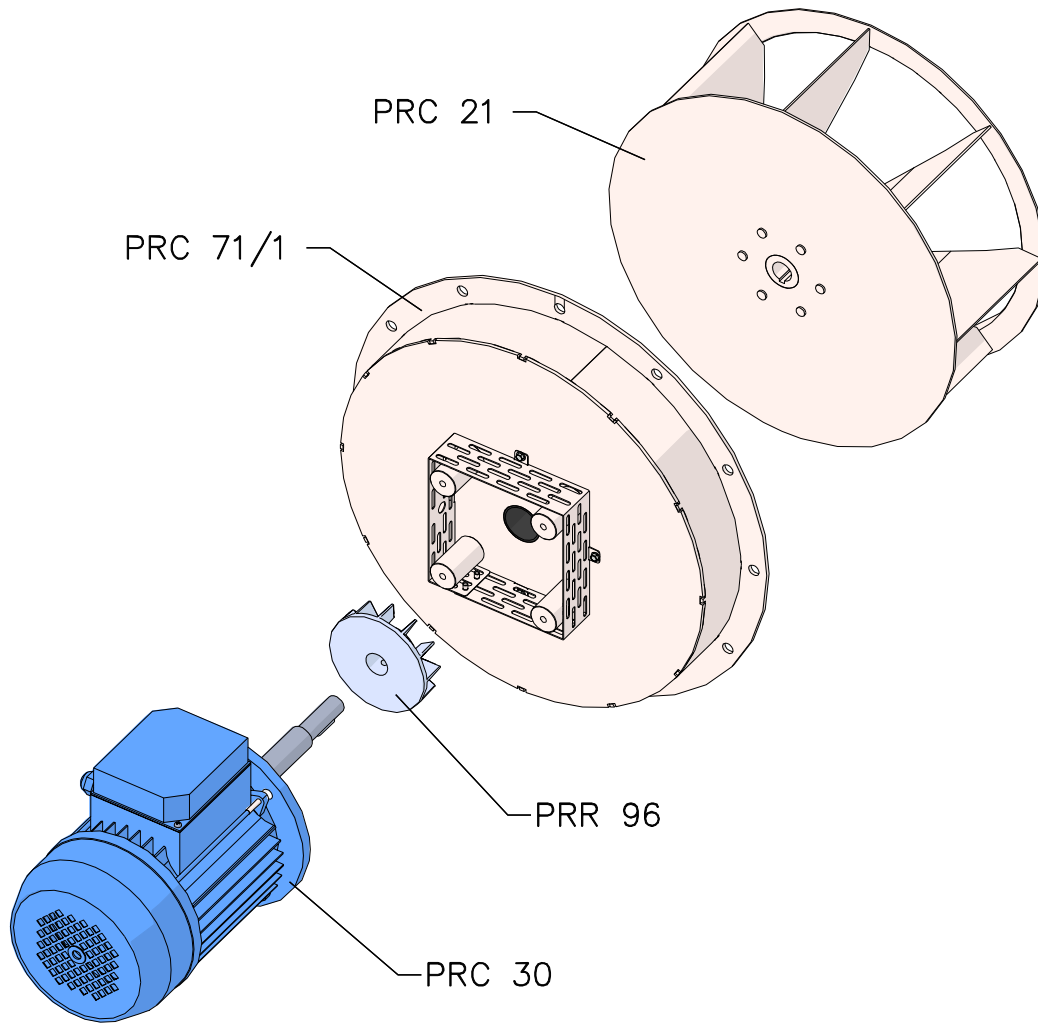
FIG.2



code	
<b>PRC 89/1</b>	see annex EC
<b>PRC 73</b>	BURNER PIPE
<b>PRC 61</b>	see annex EC

Ventilator

FIG.2-A

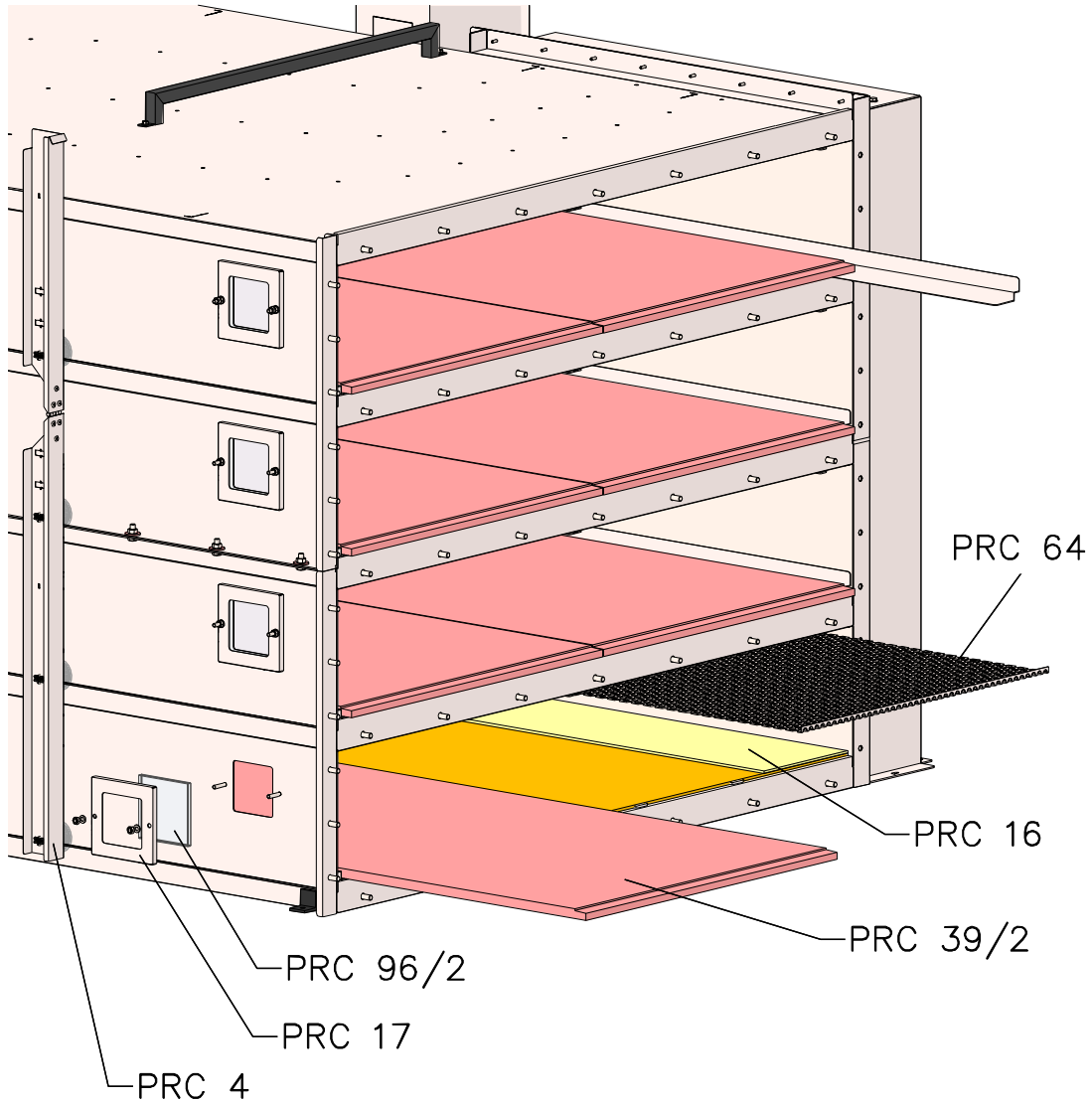


code

<b>PRC 21</b>	IMPELLER FOR VENTILATOR
<b>PRC 71/1</b>	MOUNTING PLATE FOR BLOWER - ROTATIVE OVEN
<b>PRR 96</b>	COOLING FAN
<b>PRC 30</b>	VENTILATOR MOTOR FOR ROTATIVE OVENS

Cooking chamber unit

FIG.3

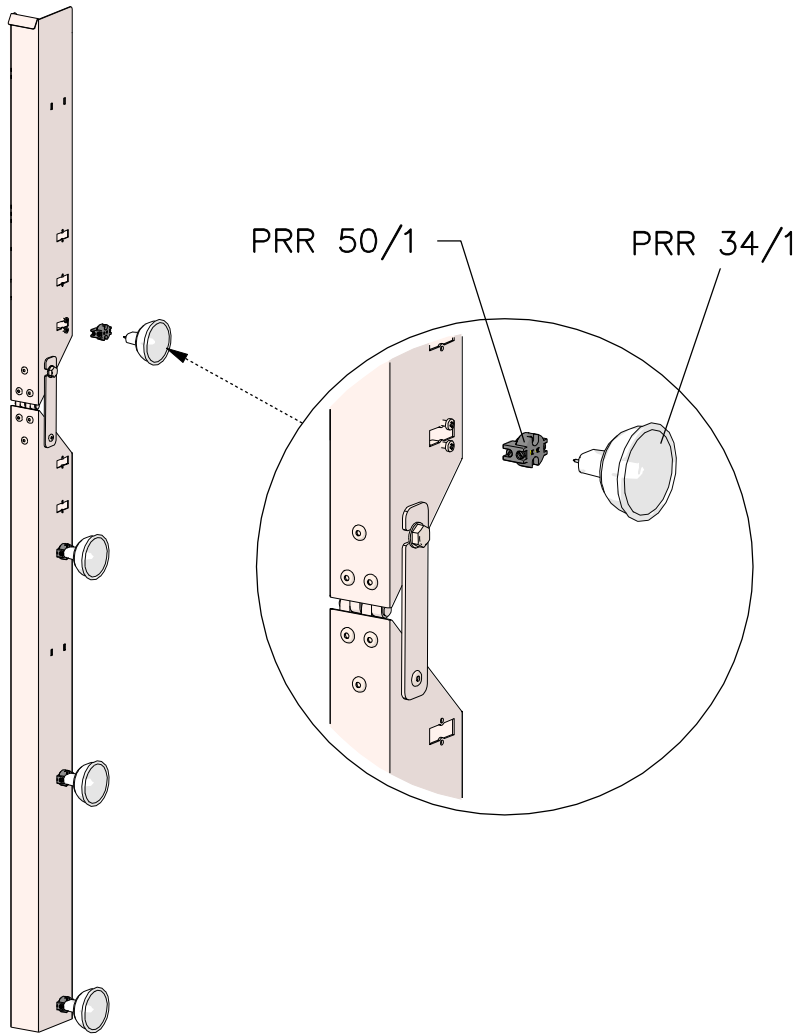


code

<b>PRC 64</b>	PERFORATED SHELTER
<b>PRC 16</b>	INSULATING SHEET thk. 2mm (sheet dim. 1000x1000mm)
<b>PRC 39/2</b>	BAKING TILE - FYDRO - FOR DECK OVEN
<b>PRR 96/2</b>	LIGHT GLASS
<b>PRC 17</b>	FLANGE FOR LAMP GLASS
<b>PRC 4</b>	LAMP HOLDER BAR COMPLETE WITH LAMPS

LAMP HOLDER BAR COMPLETE WITH LAMPS

PRC 4



code

**PRR 50/1**

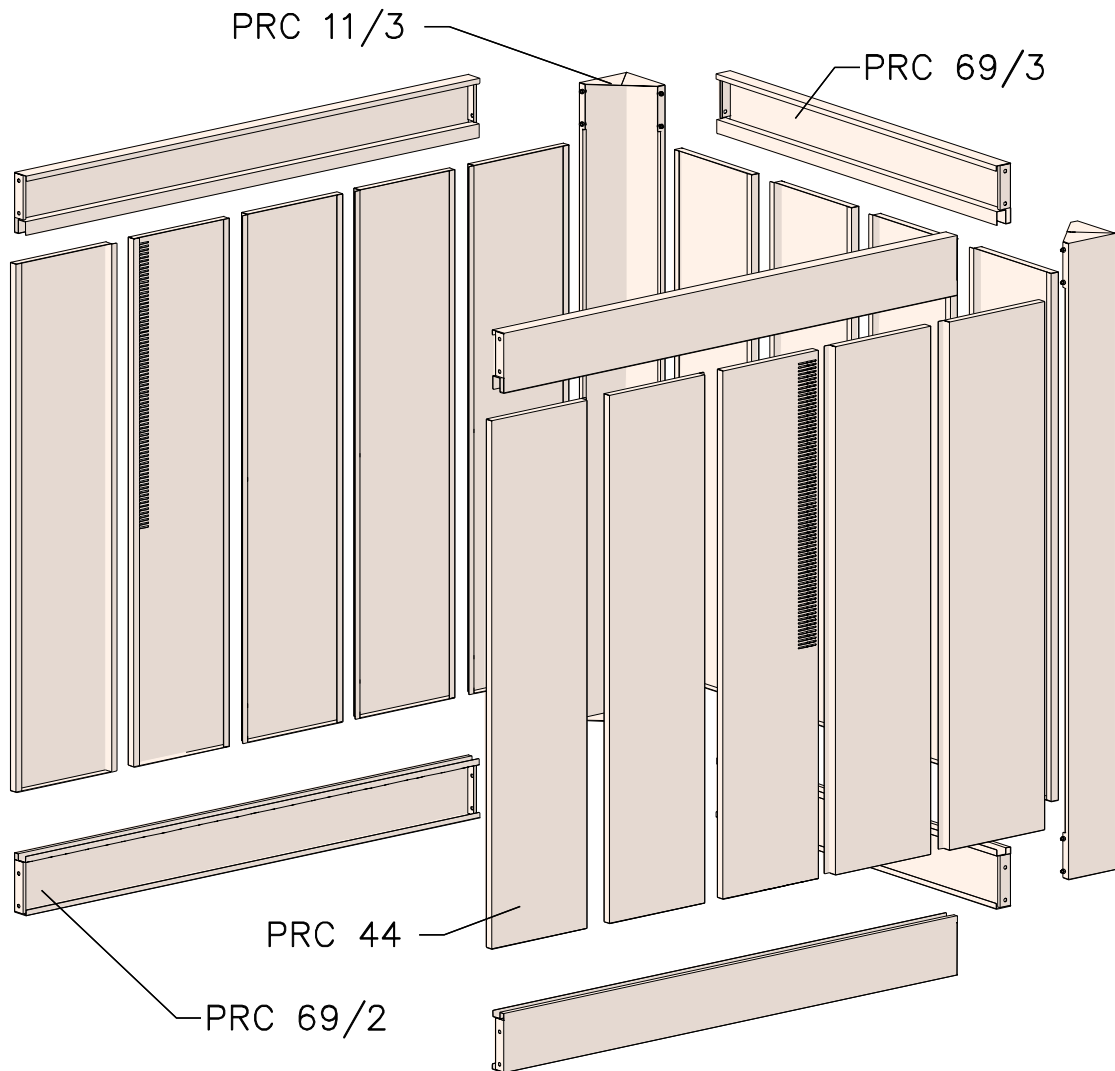
LAMP HOLDER FOR HALOGENOUS LAMP

**PRR 34/1**

OVEN ILLUMINATION HALOGENOUS LAMP

Casing

FIG.4

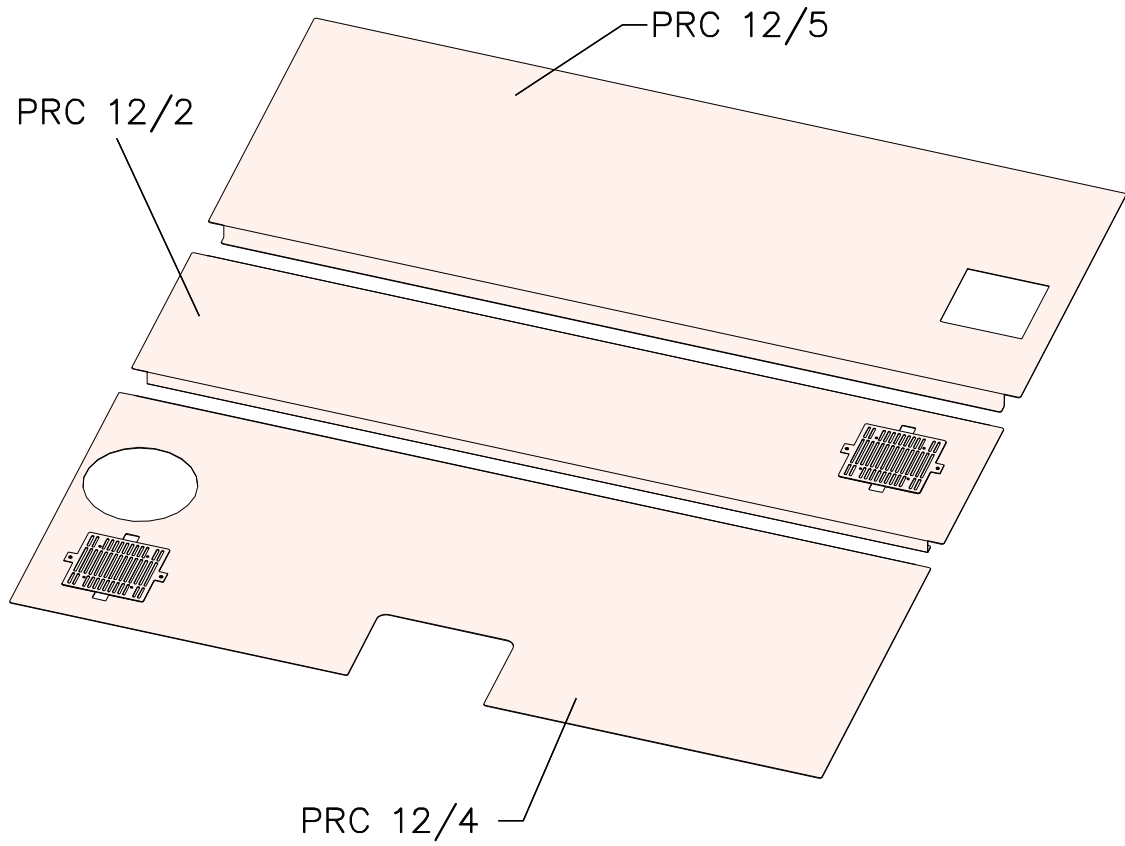


code

<b>PRC 11/3</b>	REAR COLUMN FOR EXTERNAL PANELLING
<b>PRC 69/3</b>	EDGE FOR OUTSIDE PANELLING "UPPER"
<b>PRC 44</b>	EXTERNAL FACING PANEL
<b>PRC 69/2</b>	EDGE FOR OUTSIDE PANELLING "LOWER" - PAINTED STEEL

Covering

FIG.5



code

<b>PRC 12/5</b>	OVEN COVER : REAR PANEL
<b>PRC 12/2</b>	OVEN COVER : CENTRAL PANEL
<b>PRC 12/4</b>	OVEN COVER : FRONT PANEL