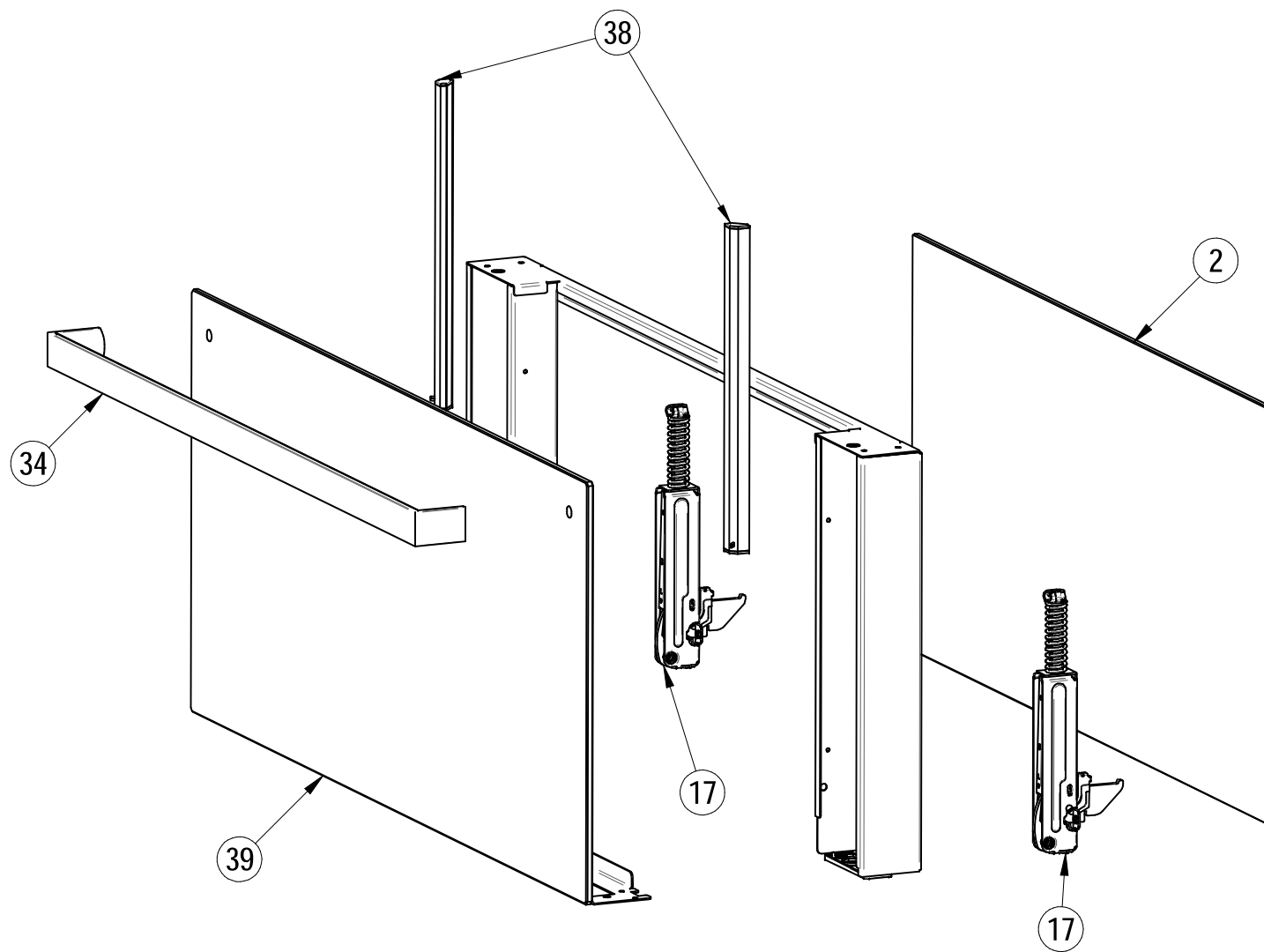
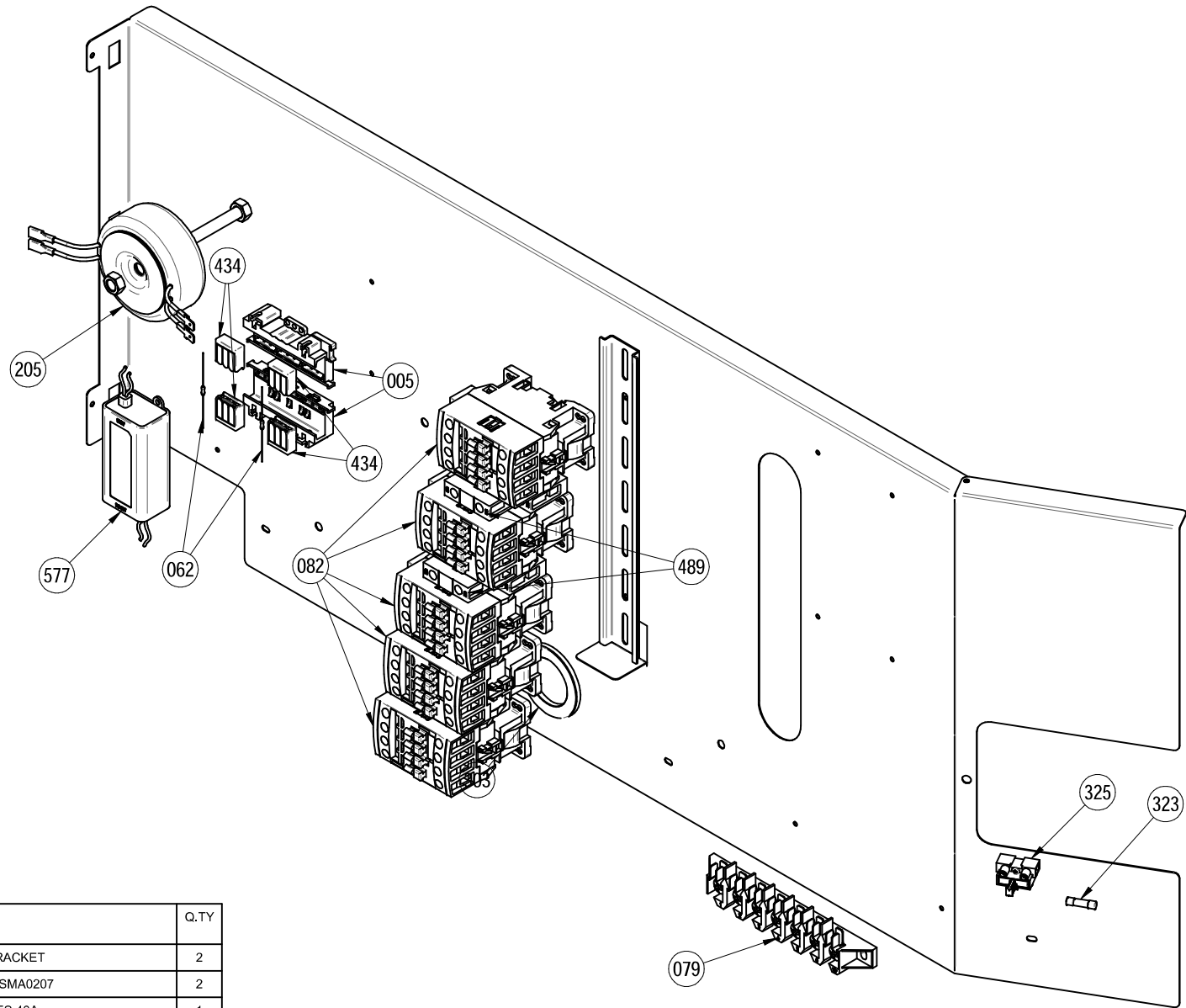


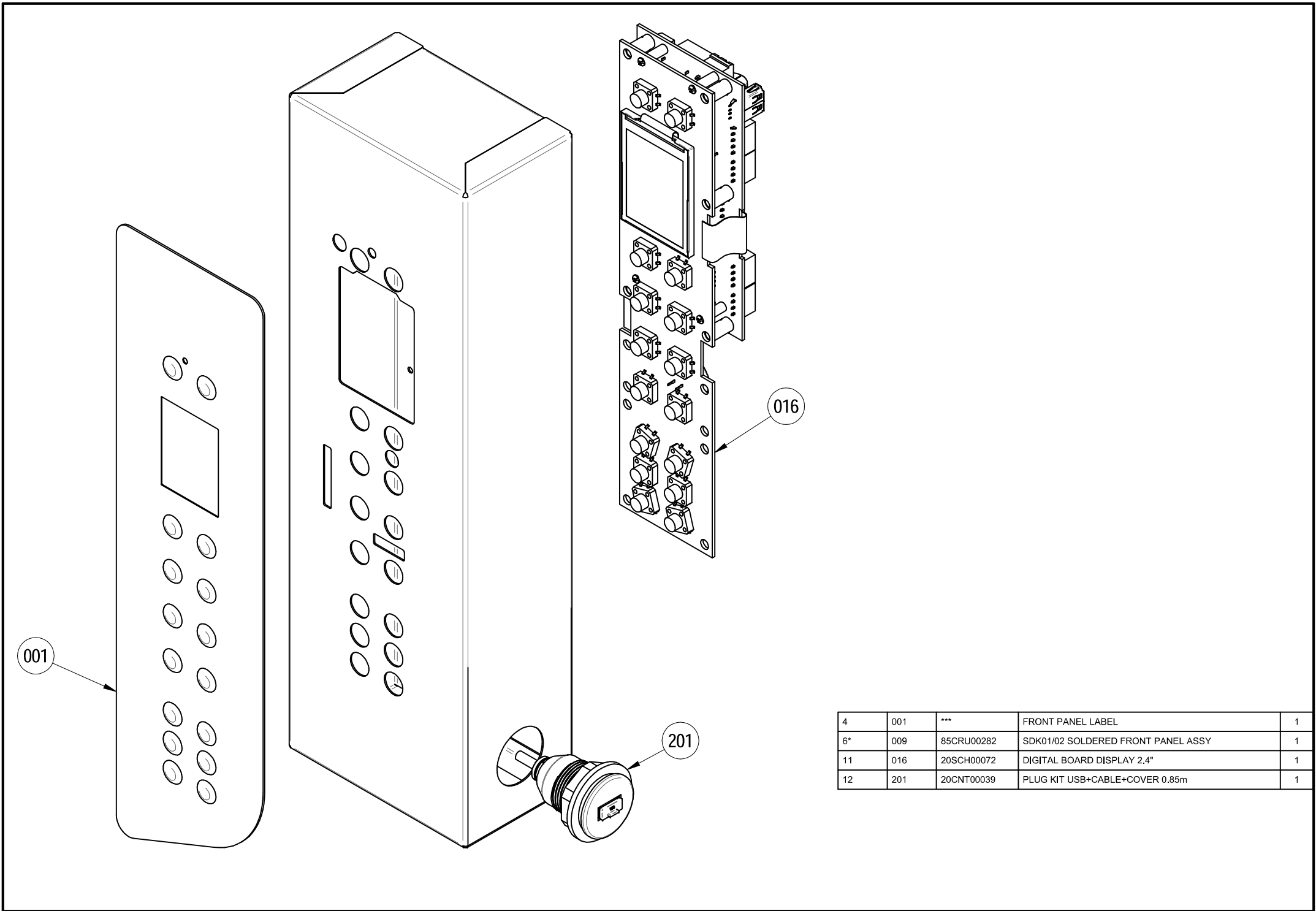
ITEM No	SPARE PART No	CODE	DESCRIPTION	Q.TY
21	078	020PUL0002	NO/NC MICRO SWITCH	1
22	083	020TER0003	SAFETY THERMOSTAT	1
30	417	40DIS00014	MAGNETIC SENSOR PLATE RAL7016	1
57	064	20RES00050	RES. 0.425KW 220V CE	13
59	074	020SON0002	PROBE TCJ FLANGED	2
60	124	040GUA00007	CHAMBER PROBE FLANGE GASKET	2
61	468	50GPP00074	CORDIERITE PLATE 606x905x15	1
77	065	***	DOOR GASKET	1
78	107	20ELE00014	SOLENOID VALVE 90° + FLOW LIMITER BROWN	1
79	188	040RAC00003	Y JOINT 5/16	1
80	207	020MOT0009	AXIAL MOTOR	1
82	302	60VAPVA001	CHIMNEY VALVE ASSY	1
83	465	40RAC00034	PIPE HOSE 8-8	2
84	479	85PSR00075	V-DRY KIT ASSY	1
98	487	20RES00048	COMPACT STEAM GENERATOR 1100W	2



ITEM No	SPARE PART No	CODE	DESCRIPTION	Q.TY
2	037	80VET00325	SQDK01/02 INTERNAL GLASS	1
17	033	60CERTR001	DOOR HINGE FOR OVEN B043	2
34	045	60MAGAL010	HANDLE	1
38	435	20LAM00015	LED BAR VE DOOR CR380OP4 L=285MM	2
39	461	***	SQDK GLUED EXTERNAL GLASS ASSEMBLY	1



ITEM No	SPARE PART No	CODE	DESCRIPTION	Q.TY
7	005	20MOR00027	WAGO CLAMP MOUNTING BRACKET	2
8	062	20RES00055	RESISTOR 350V 10KOhm CE SMA0207	2
9	079	020MOR0002	TERMINAL BLOCK 7(X3) POLES 40A	1
10	082	020TEL0003	BRAKER 4POLES 230V 25A	5
11	205	20TRS00009	TRANSFORMER 12V 230V 50/60HZ UL	1
12	303	040PPC00007	CABLE GLAND WITH MEMBRANE Ø37	1
14	323	20PUL00013	GLASS RETARDE FUSE 5X20 1,6A	1
15	325	20PUL00012	FUSE RACK	1
16	434	20MOR00026	WAGO 3-POLE CLAMP 221-413 SPRING-LOADED	4
17	489	20TEL00009	2 POLE NO NC SIDE AUXILIARY CONTACT	2
18	577	20ALM00004	POWER SUPPLIER 220-120V 24V 50/60HZ UL	1



4	001	***	FRONT PANEL LABEL	1
6*	009	85CRU00282	SDK01/02 SOLDERED FRONT PANEL ASSY	1
11	016	20SCH00072	DIGITAL BOARD DISPLAY 2.4"	1
12	201	20CNT00039	PLUG KIT USB+CABLE+COVER 0.85m	1