

Spare parts

FE1

REV.0-0

ENG

5.1	Description
5.2	Spare parts
	Front
	Cooking chamber unit
	Casing
	Covering

5.1 Description

In replacing any components always use original replacements.

To order spare parts, identify the model and mention the serial number on the EC rating plate of the oven.

Cites the paragraph, position, reference and description of the part to be replaced as shown in this instruction book.

For electrical components, refer also to the descriptions contained in the "electrical information" section of this manual.

Inform the authorized retailer or our service office of the description and quantity desired.

Upon receipt of your communication we will supply you with all the information relative to your request and ask your authorization to ship.

In case of parts not contemplated in the spare parts section, contact our service office.

Model

Serial number

Year of manufacture

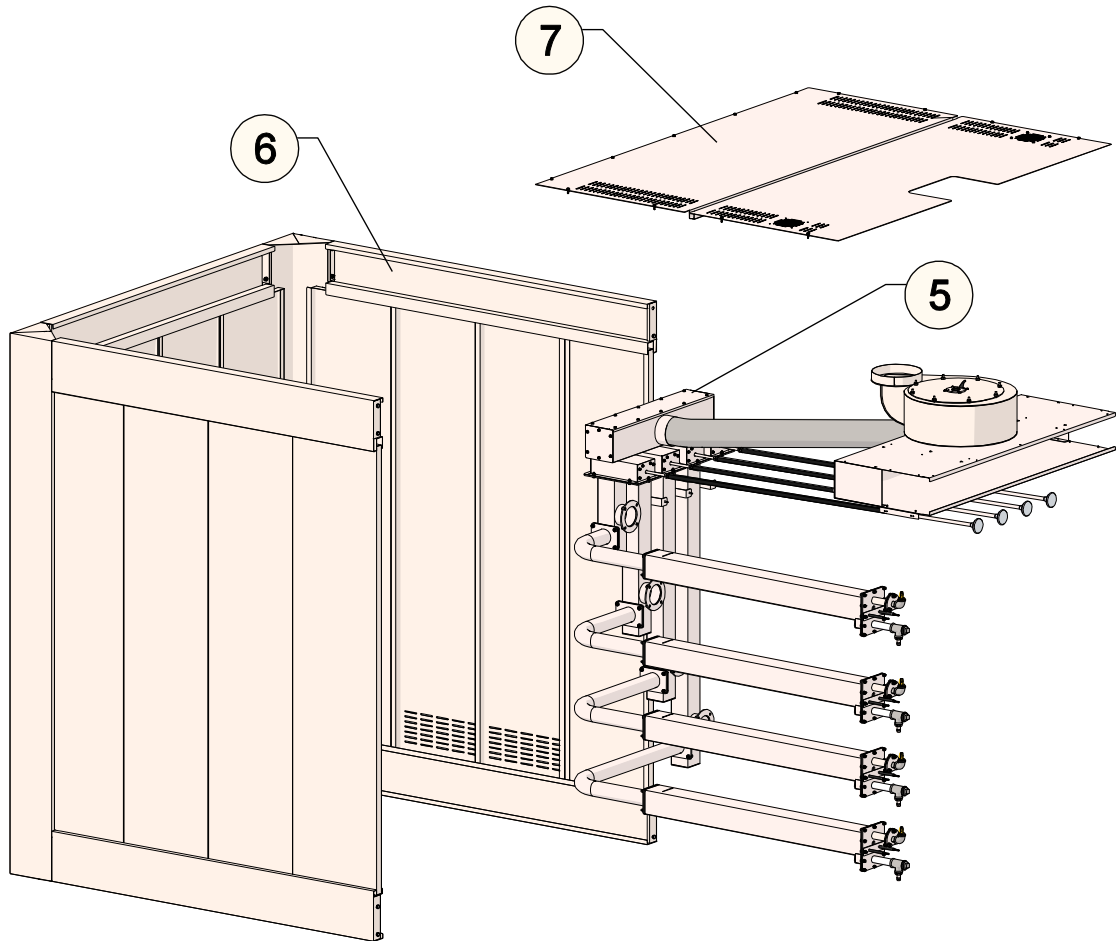
Part code number

Denomination

Quantity

5.2 Spare parts

FIG.0



- 1 Front
- 2 Electric board (control section)
- 3 Lower insulating containment
- 4 Cooking chamber unit
- 4 Cooking chamber unit - Electric board (power section)

pagina 6

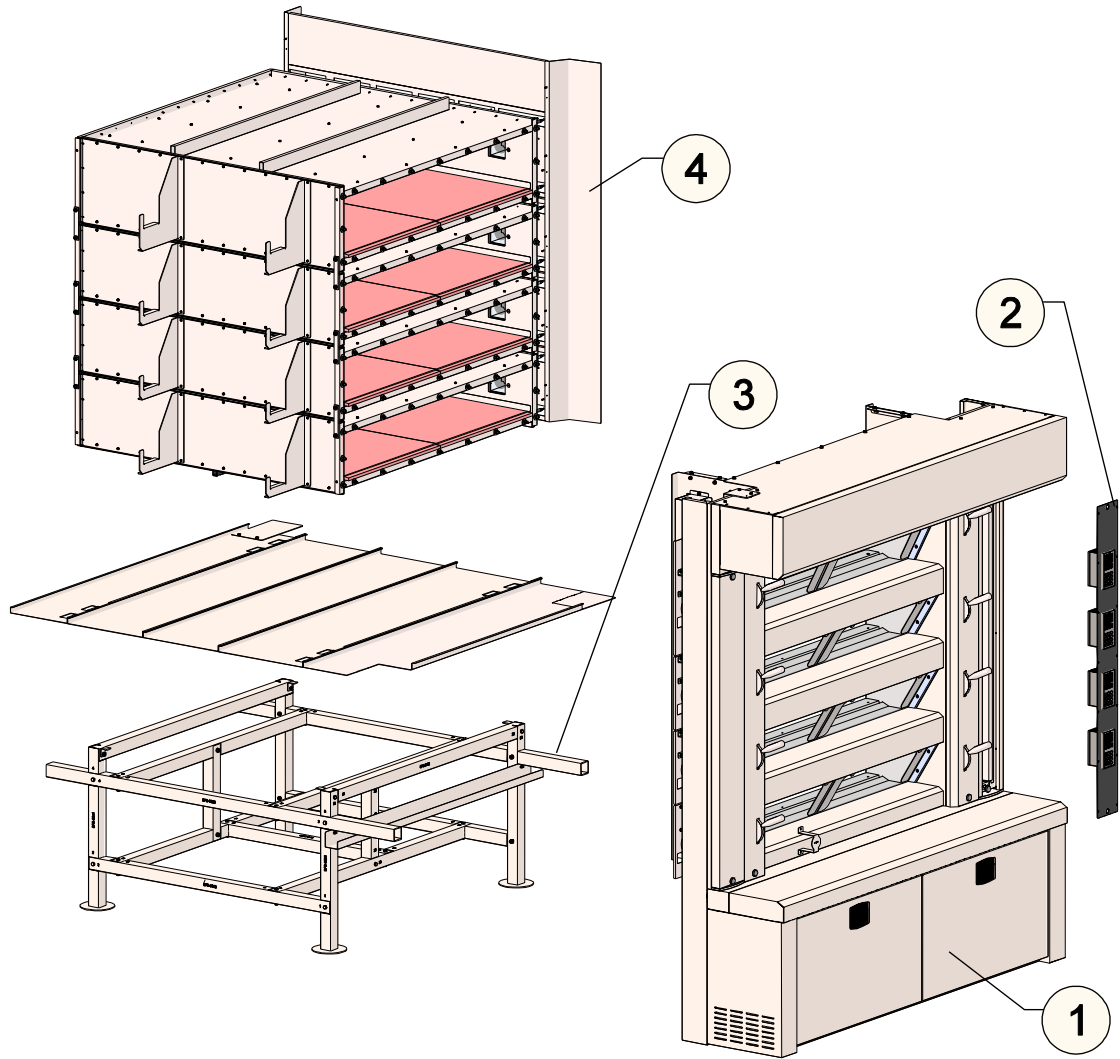
see annex F

see annex A

pagina 9

pagina 11





- 5** Steam extraction system
- 6** Casing
- 7** Covering

see annex **EC**

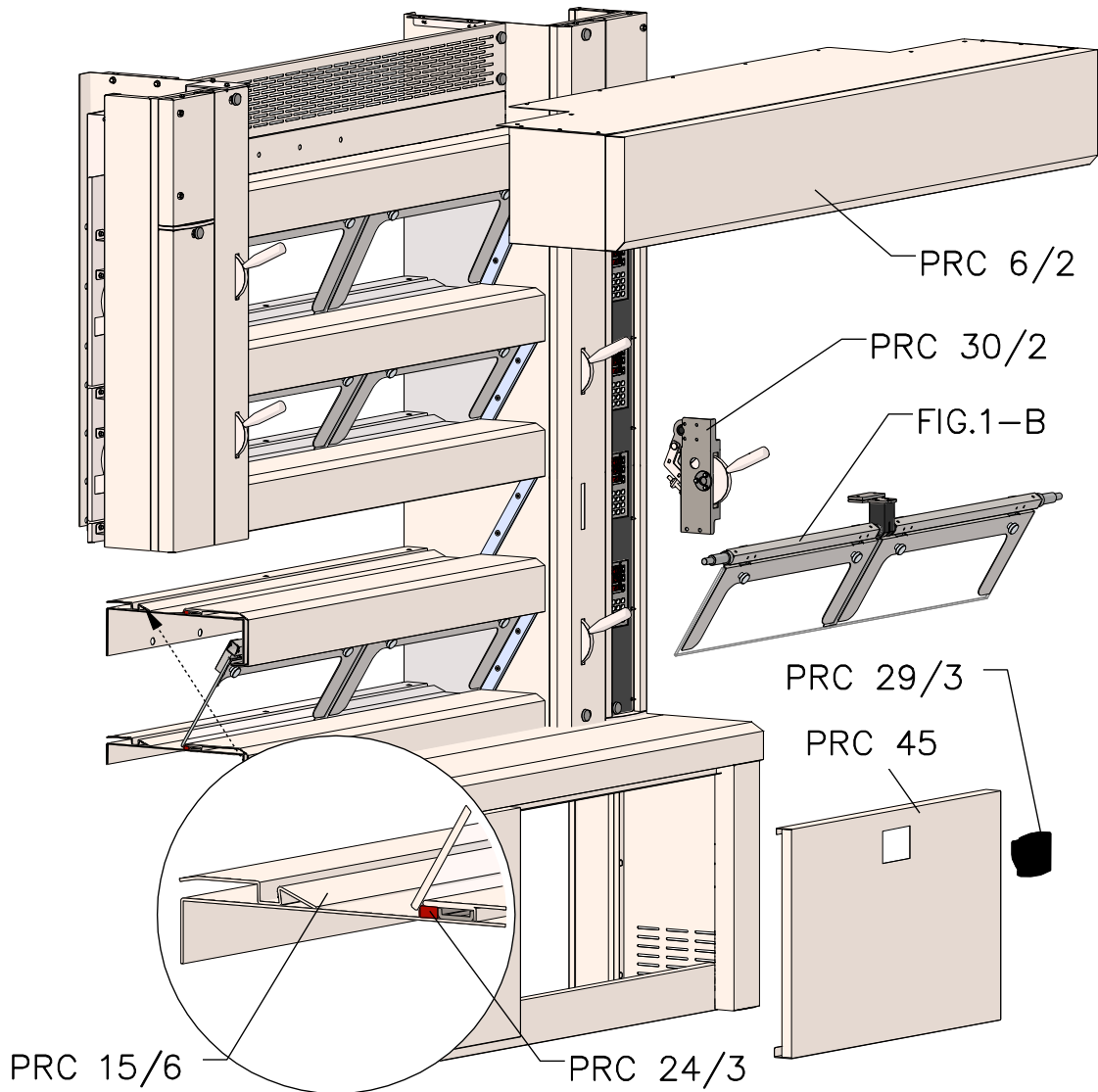
Pagina 12

pagina 13



Front

FIG.1

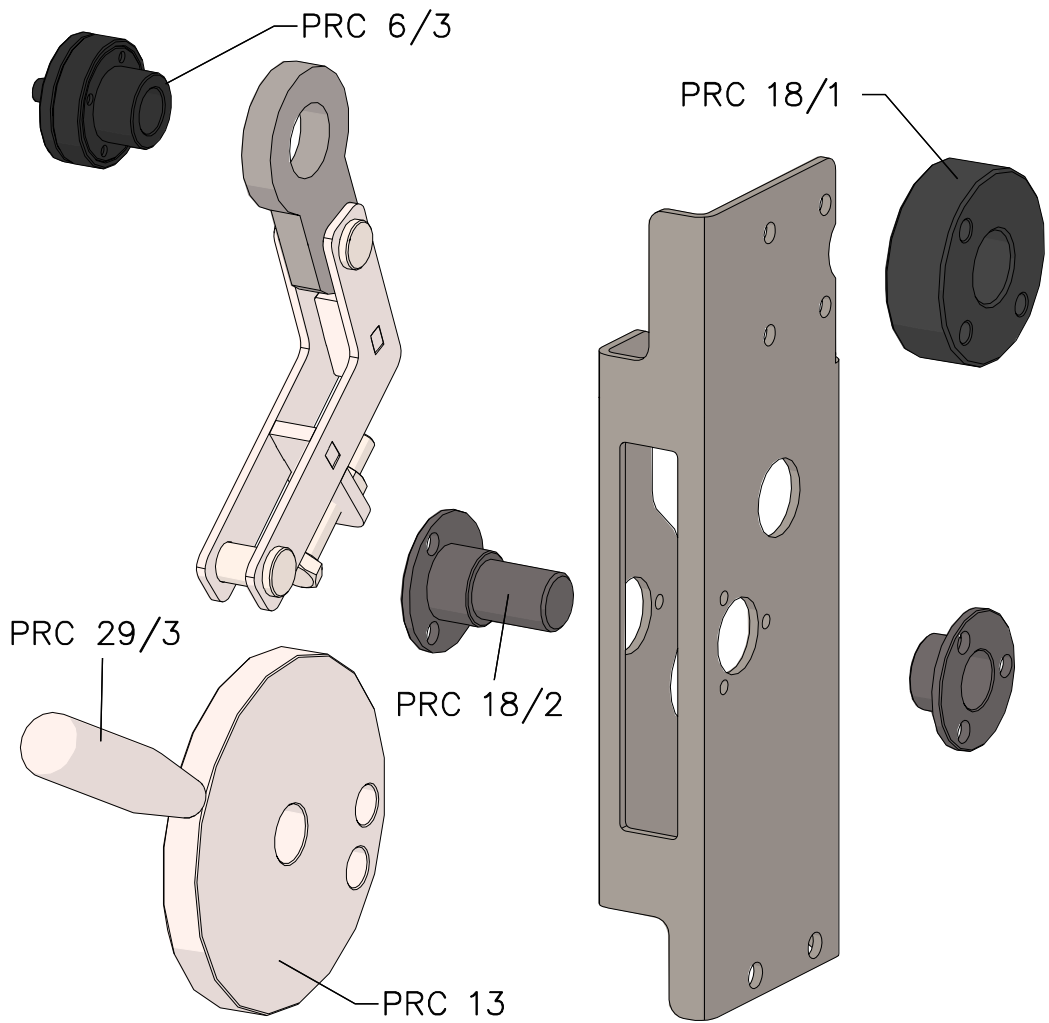


code

PRC 6/2	HOOD FOR ROTATIVE OVEN
PRC 30/2	MOTION ASSEMBLY FOR DOOR GLASS - DECK OVEN
PRC 29/3	HANDLE FOR DOOR GLASS
PRC 45	SERVICE DOOR
PRC 24/3	DOOR GLASS GASKET
PRR 15/6	PROFILE FOR BAKING DECK BLOCKING

HANDLE ASSEMBLY

PRC 30/2

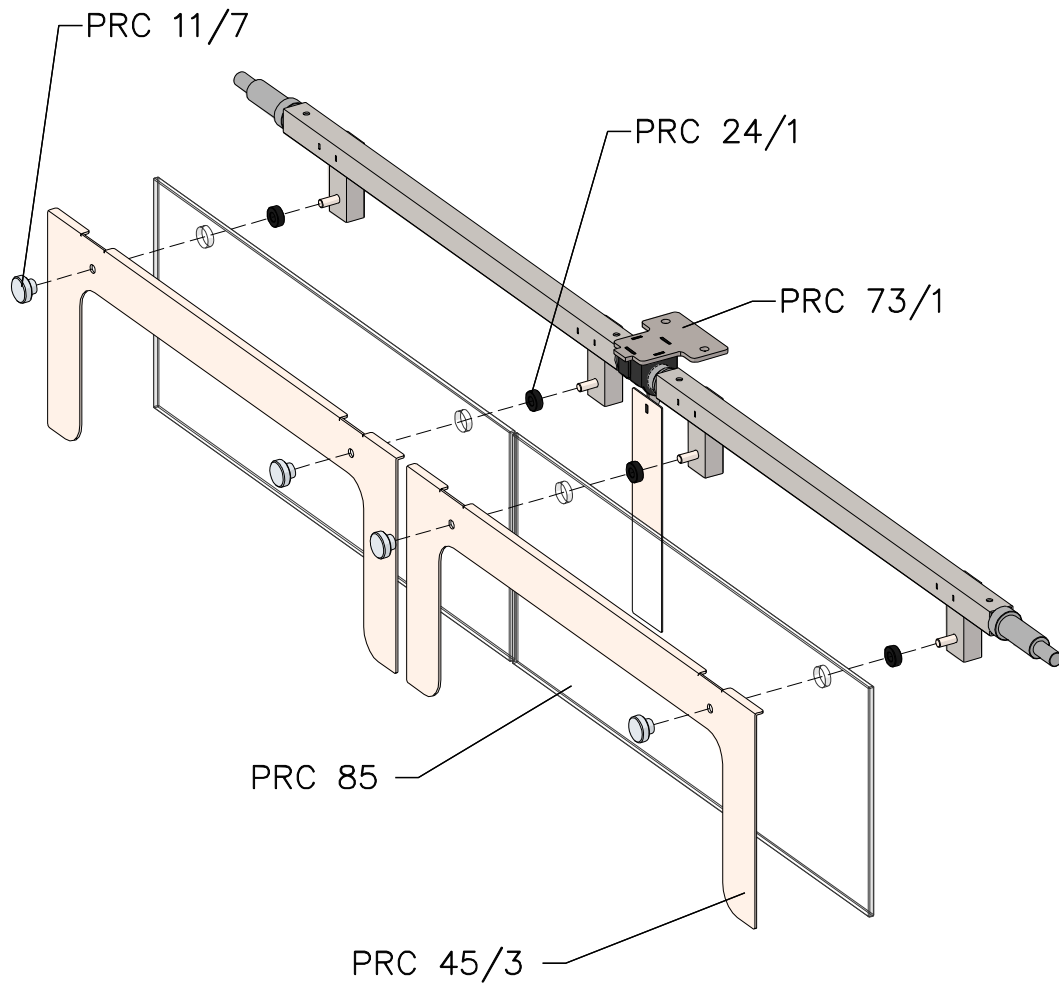


code

PRC 6/3	SELF-LOCKING COUPLING FOR DOOR GLASS MOTION
PRC 18/1	RING NUT FOR DOOR GLASS
PRC 13	SUPPORT DISK FOR DOOR GLASS HANDLE
PRC 18/2	RING NUT FOR DOOR GLASS MOTION
PRC 29/3	HANDLE FOR DOOR GLASS

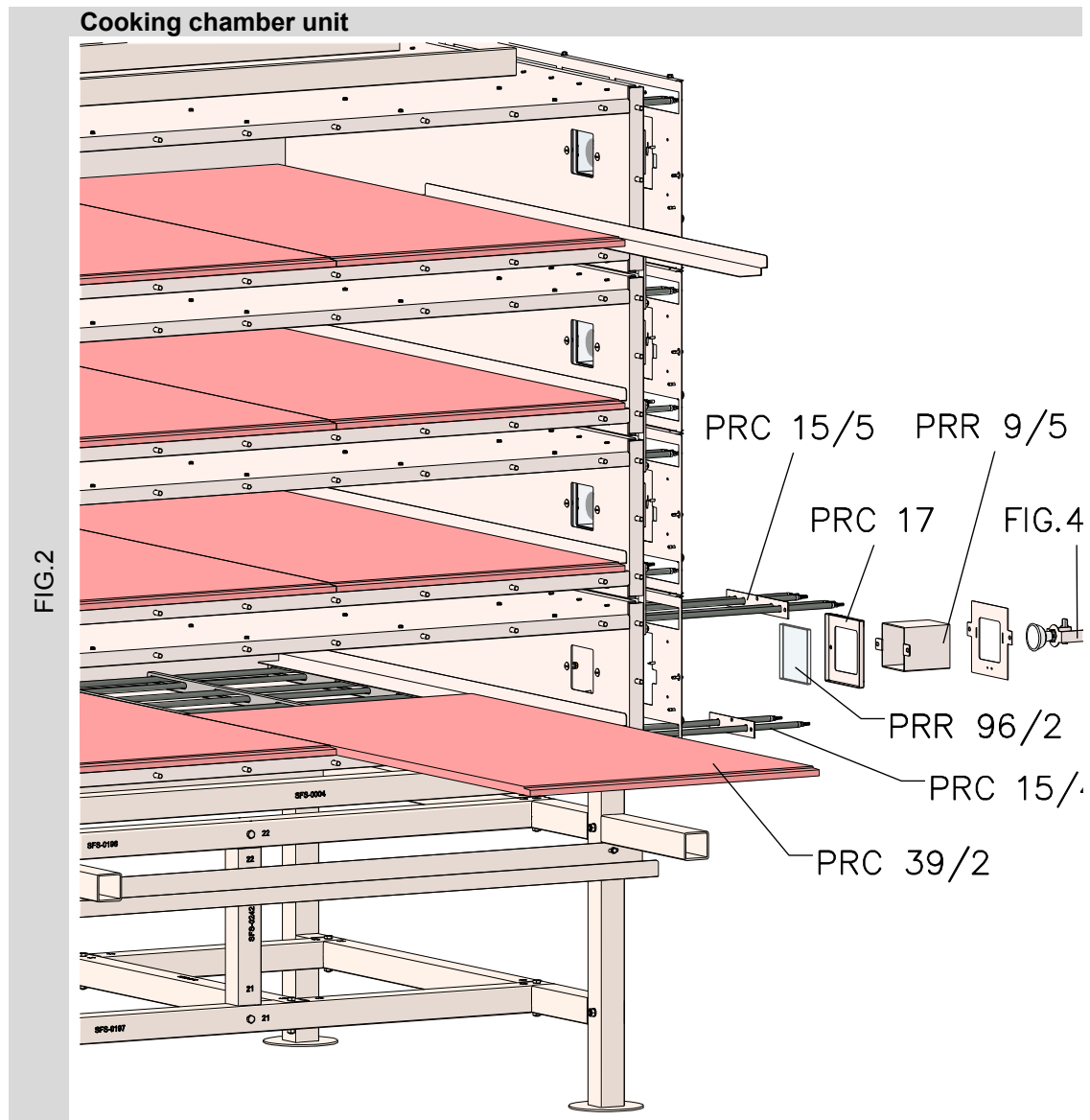
MOTION ASSEMBLY FOR DOOR GLASS

FIG.1-B



code

PRC 11/7	FASTENING NUT FOR DOOR GLASS
PRC 24/1	ROUND DOOR GLASS GASKET
PRC 73/1	SUPPORT PIPE FOR DOOR GLASS COMPLETE WITH BRACKETS AND ROTATION SHAFT
PRC 85	DOOR GLASS FOR DECK OVEN
PRC 45/3	DOOR GLASS PROTECTION - STAINLESS STEEL

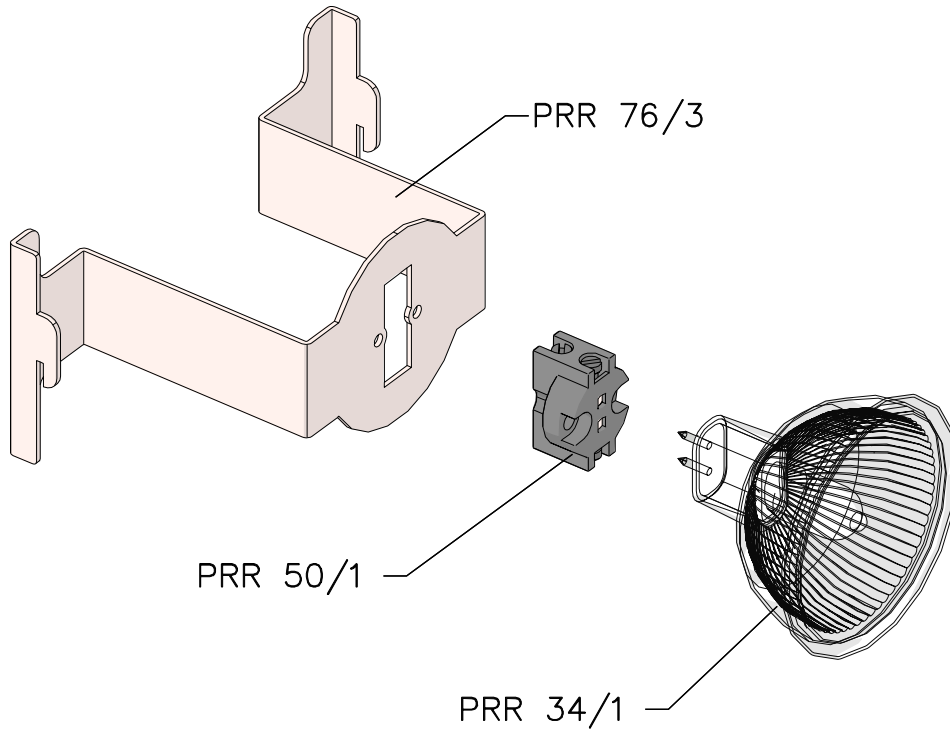


code

PRC 15/5	HEATING ELEMENT "WIDE" - DECK OVEN
PRC 15/4	HEATING ELEMENT "NARROW" - DECK OVEN
PRC 39/2	BAKING TILE - FYDRO - FOR DECK OVEN
PRC 17	FLANGE FOR LAMP GLASS
PRR 96/2	LIGHT GLASS
PRR 9/5	ILLUMINATION UNIT INSULATING CONTAINMENT PANEL

LAMP HOLDER BAR

FIG.4-A

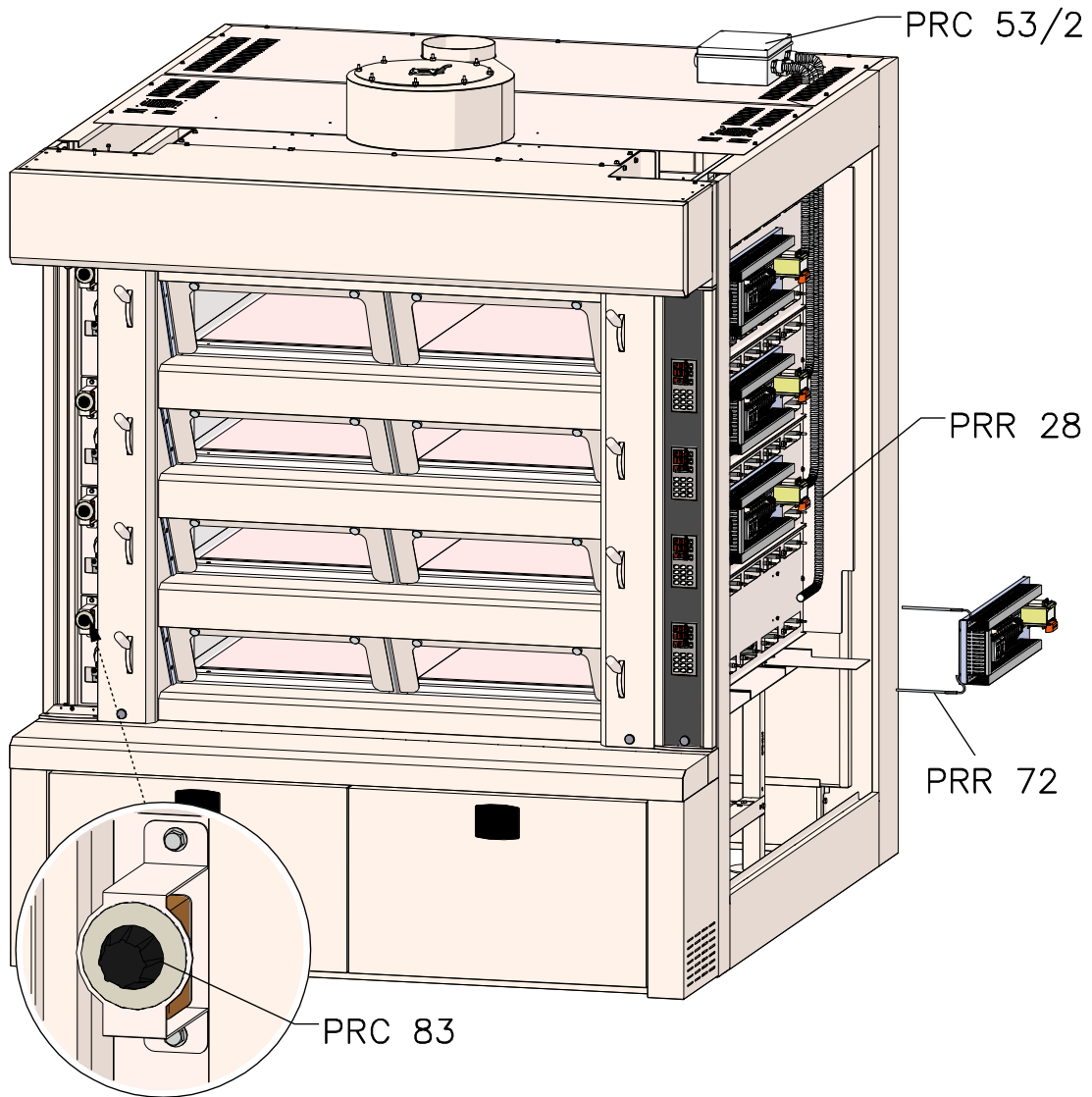


code

PRR 76/3	HALOGEN LAMP BRACKET
PRR 50/1	LAMP HOLDER FOR HALOGENOUS LAMP
PRR 34/1	OVEN ILLUMINATION HALOGENOUS LAMP

Cooking chamber unit - Electric board (power section)

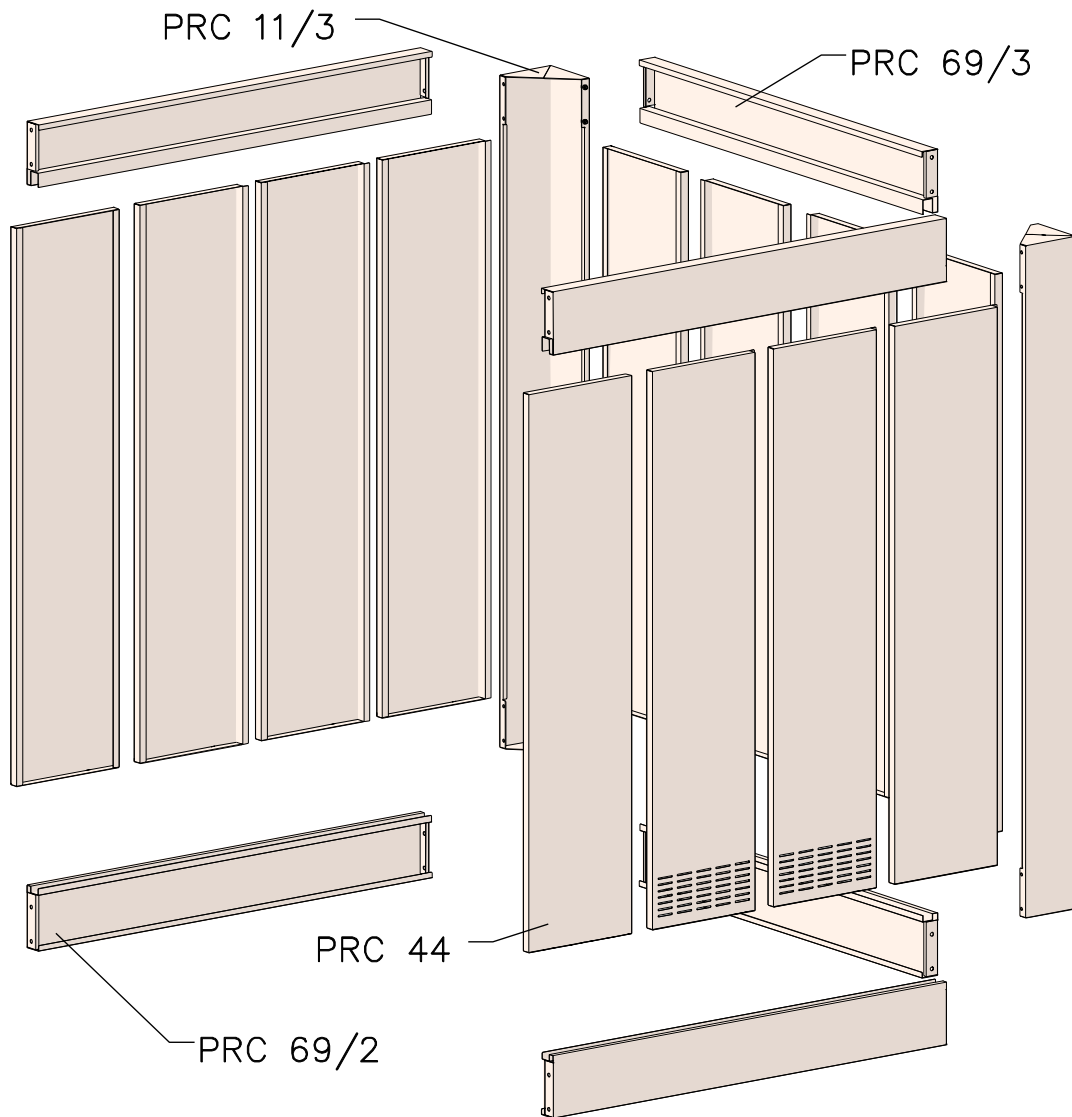
FIG.3



code	
PRR 53/2	DERIVATION BOX FOR CABLES
PRR 28	SHEATH FA-21
PRR 72	PROBE FOR ELECTRONIC THERMOREGULATOR
PRC 83	THERMOSTAT FOR STEAM GENERATOR

Casing

FIG.5

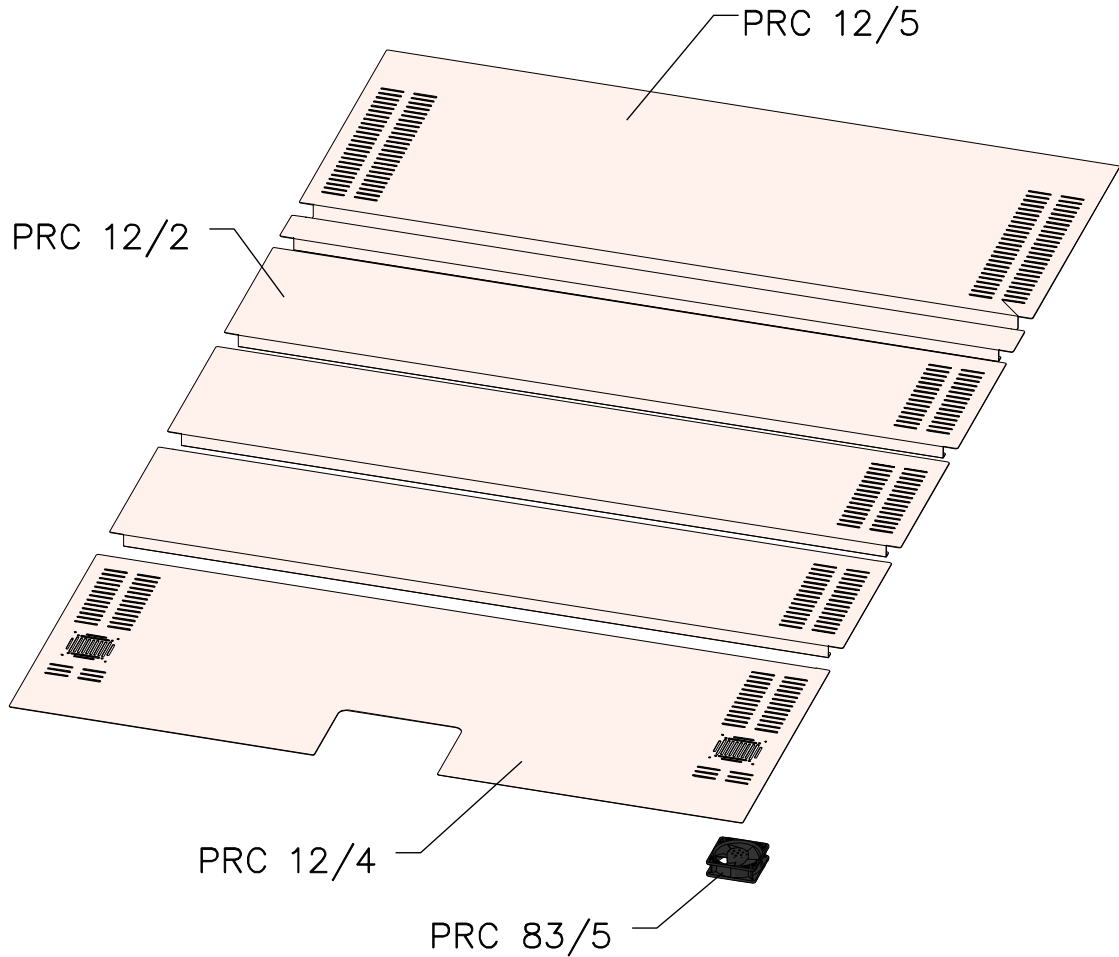


code

PRC 11/3	REAR COLUMN FOR EXTERNAL PANELLING
PRC 69/3	EDGE FOR OUTSIDE PANELLING "UPPER"
PRC 44	EXTERNAL FACING PANEL
PRC 69/2	EDGE FOR OUTSIDE PANELLING "LOWER" - PAINTED STEEL

Covering

FIG.6



code

PRC 12/5	OVEN COVER : REAR PANEL
PRC 12/2	OVEN COVER : CENTRAL PANEL
PRC 12/4	OVEN COVER : FRONT PANEL
PRC 83/5	FAN FOR AIR CIRCULATION