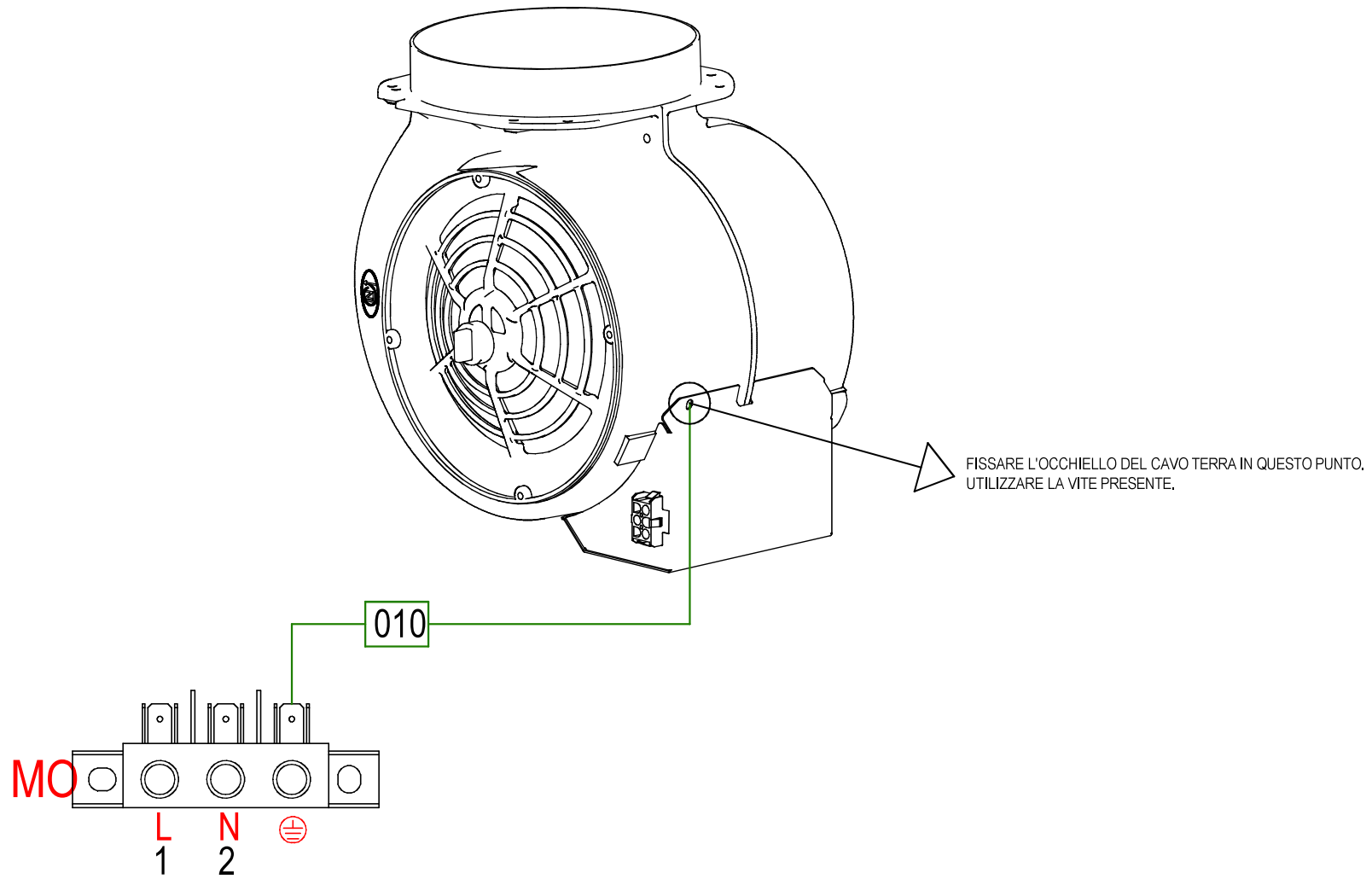


MOTOR GROUND CONNECTION:



LEGEND:

BD	=	Door button
B O/F	=	On/off button
L	=	Phase
M	=	Motor
MO	=	Main terminal block
N	=	Neutral
S1	=	Humidification solenoid valve
TH	=	Thermostat