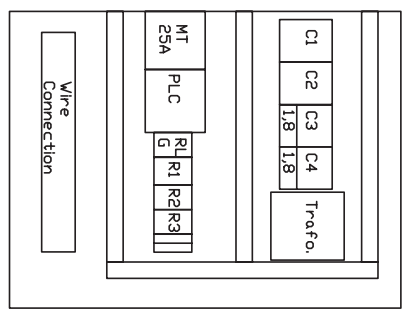
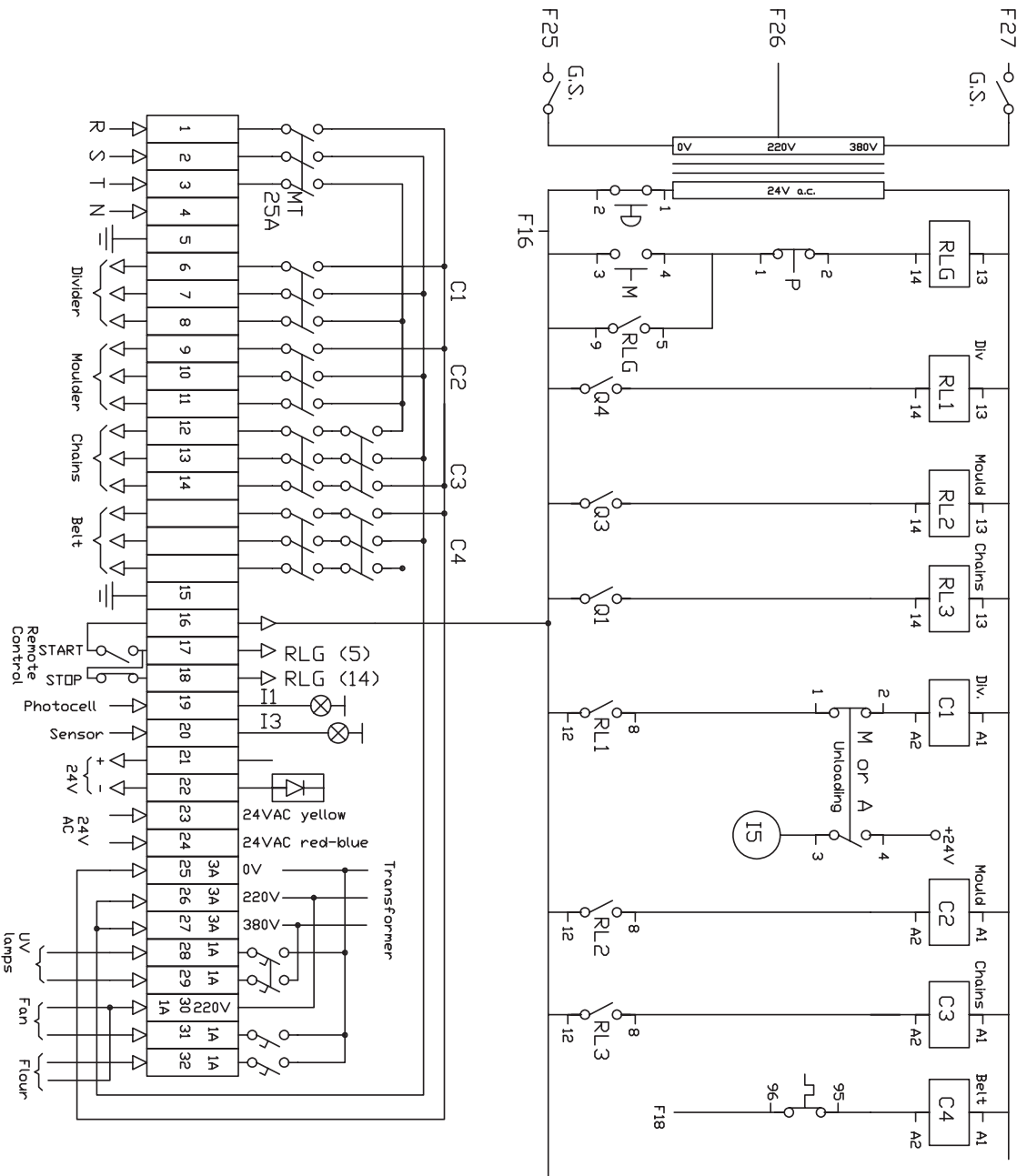


# ELECTRIC DIAGRAM



- Control Panel**
- General Switch
  - Potentiometer
  - 1 Selector D. or AD.
  - 5 Leds with R 2K2
  - Start - and Lo O +
  - Sensor F20 and -
  - Phot. F19 and -
  - Chains Alarm g2+ and -
  - Chains Motor F12, A2 of C3
  - AD -> 1 Selector AD. and -
- Legend:**
- Q1 = Chains Motor
  - Q2 = Alarm + Led
  - Q3 = Moulder
  - Q4 = Divider
  - I1 = Photocell
  - I2 = Stop Button
  - I3 = Chains Stop Sensor
  - I4 = Start Button
  - I5 = Selector AD.
  - I6 = Potentiometer