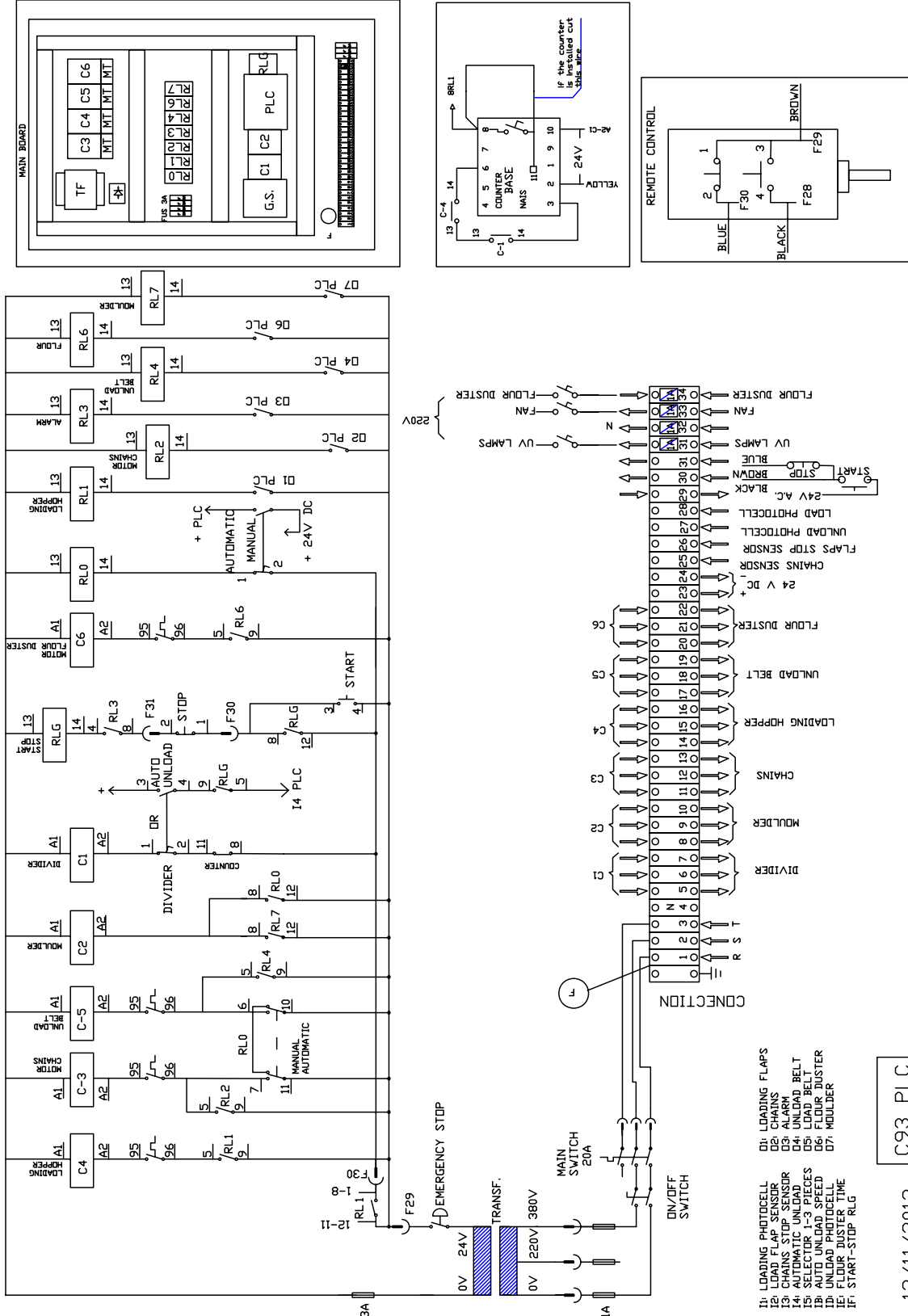


ELECTRIC DIAGRAM

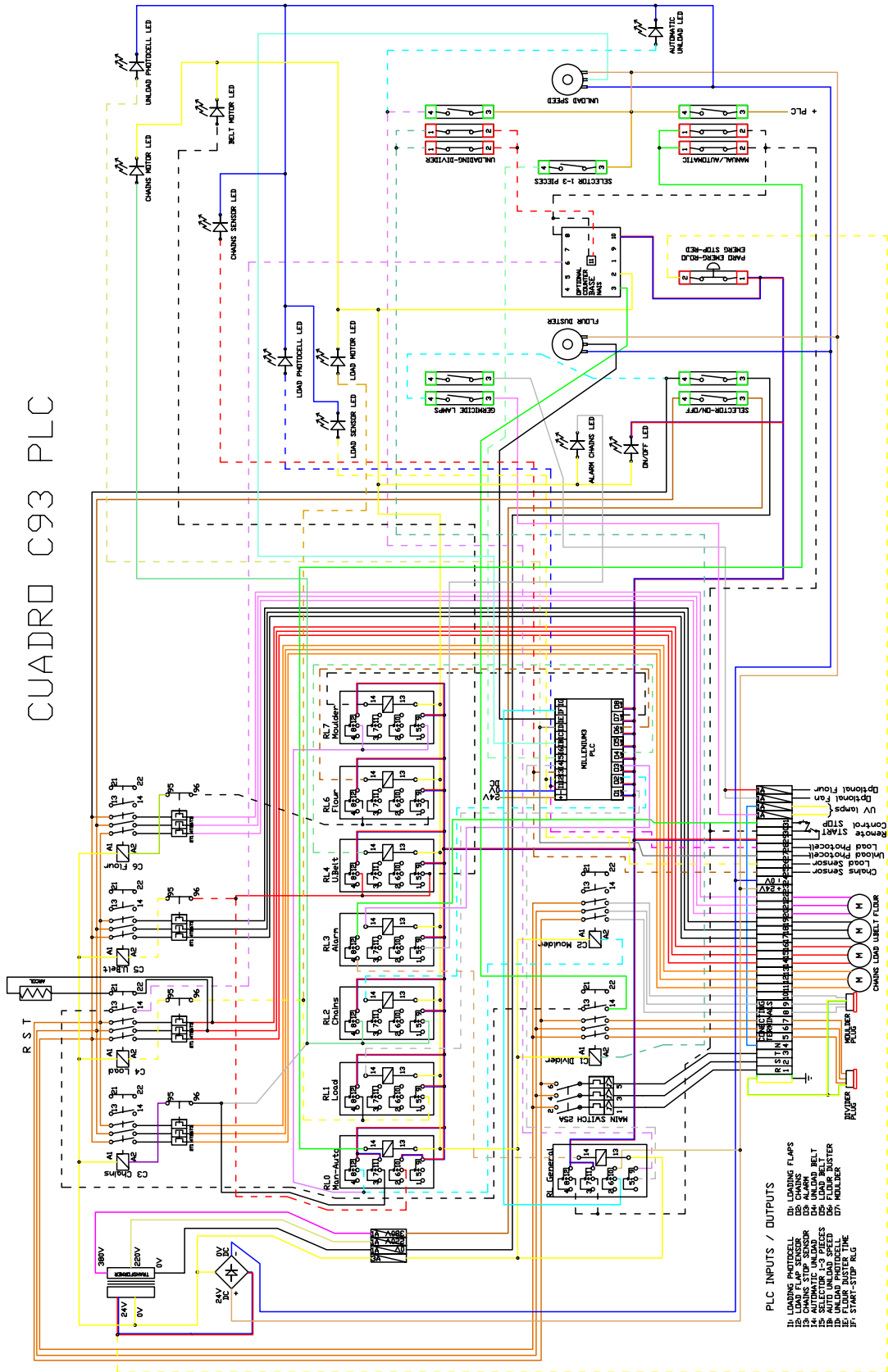


MADE IN ITALY

ELECTRIC DIAGRAM

IT
ES
EN
FR
DE

CUADRO C93 PLC



- PLC INPUTS / OUTPUTS**
- 11: LOADING PHOTOCELL
 - 12: UNLOADING PHOTOCELL
 - 13: CHAINS STOP SENSOR
 - 14: AUTOMATIC UNLOADING
 - 15: UNLOADING BELT
 - 16: AUTO UNLOAD SPEED
 - 17: FLUR BUSTER
 - 18: FLUR BUSTER TIME
 - 19: START-STOP REL

MADE IN ITALY