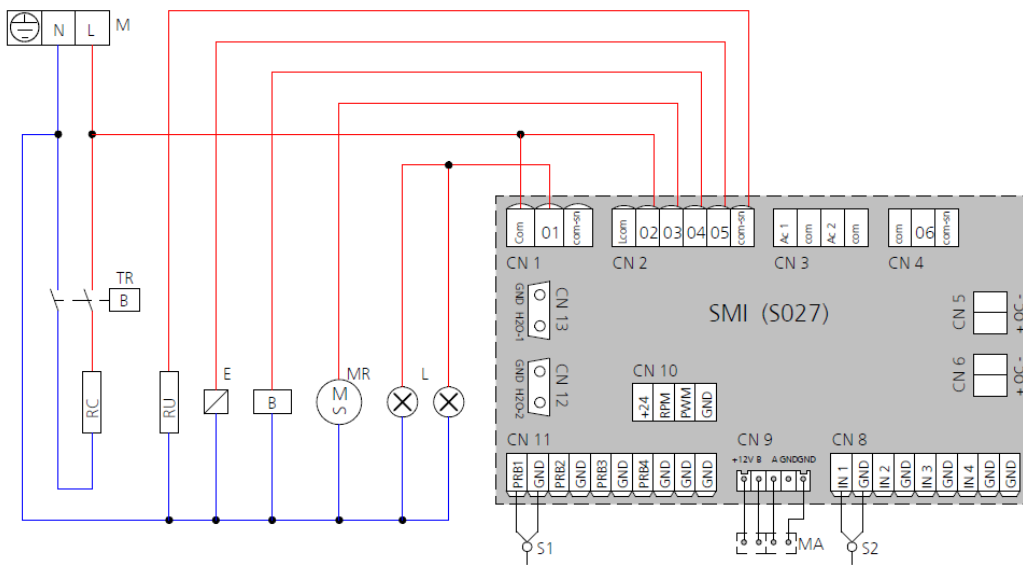


# WIRING DIAGRAM

LIEV\_664 TS1 - LIEV\_664 TS2



Key	
<b>M</b>	POWER SUPPLY TERMINAL BOARD
<b>MA</b>	TERMINAL BOARD ACCESSORIES
<b>TR-B</b>	REMOTE CONTROL SWITCH
<b>RC</b>	CIRCULAR RESISTOR
<b>RU</b>	HUMIDIFICATION RESISTOR
<b>MR</b>	RADIAL MOTOR FAN
<b>L</b>	LIGHT BULBS
<b>SMI</b>	MICRO POWER BOARD
<b>E</b>	WATER SOLENOID VALVE
<b>S1</b>	PROBE PT100
<b>S2</b>	WATER LEVEL SENSOR