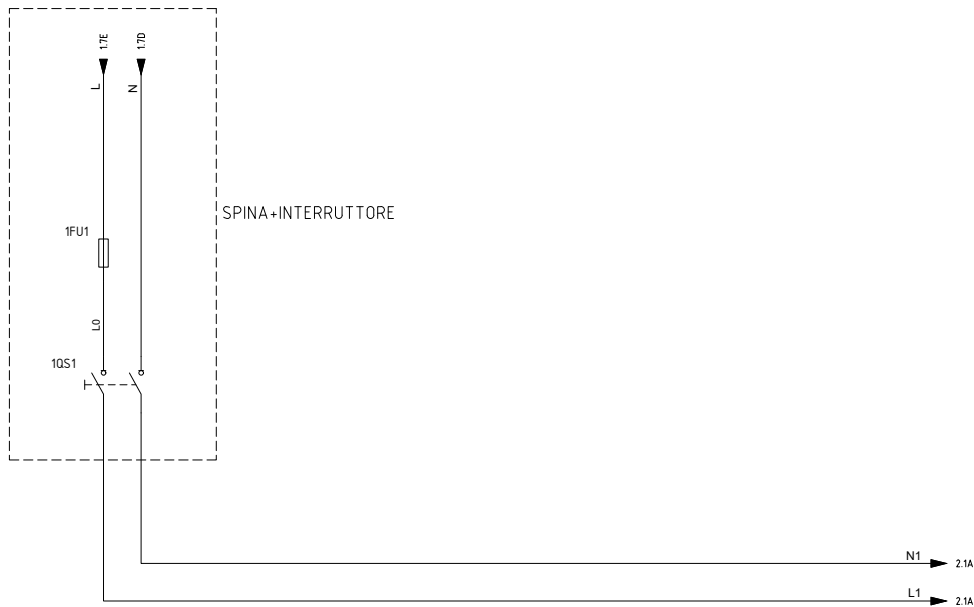


# ELECTRIC DIAGRAM

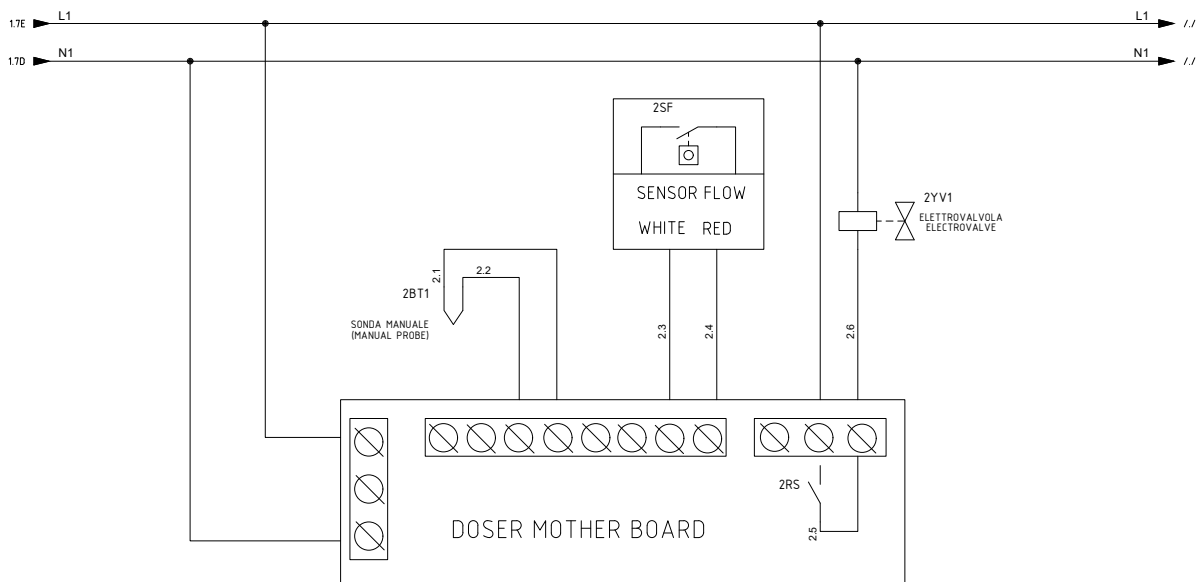
## MA/MDM - 230V-50Hz



Power supply

# ELECTRIC DIAGRAM

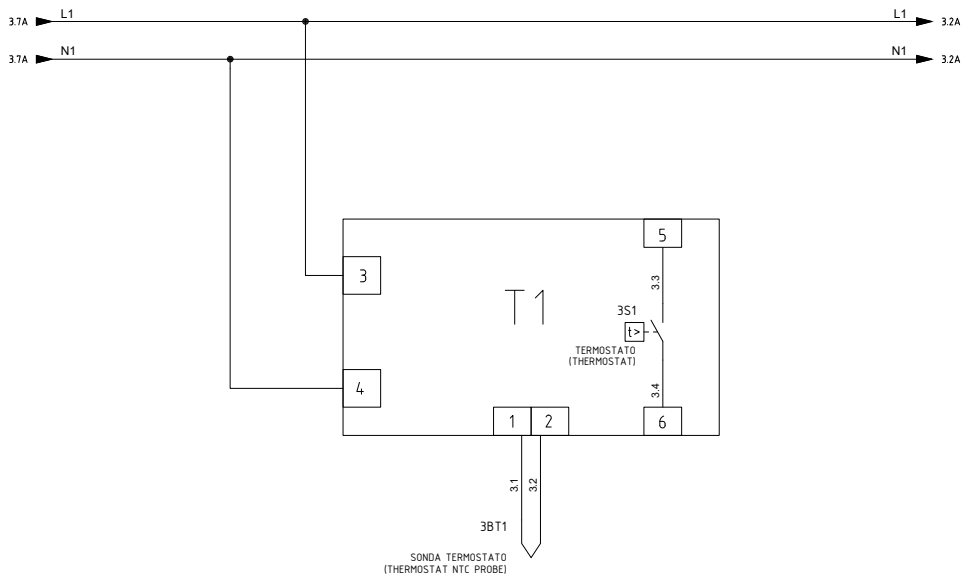
## MA/MDM - 230V-50Hz



Dosamat mother board

# ELECTRIC DIAGRAM

## MA/MDM - 230V-50Hz



### Termostato

Nome/Item	Tipo/Type	Descrizione/Description	Costruttore/Marke	Codice Interno	Quadro/Board	Fg/Sh	Q.ta/Q.ty
1FU1	DF2CA06	FUSIBILE 10X38 AM 6A	Schneider Electric		=QG	2	1
1QS1	SPINA+INT.+PF GI005001-R CONN. PROT.	SPINA+INT.+PF GI005001-R CONN. PROT.	LALLI	3500030060	=QG	2	1
2BT1	SONDA A INFILZAGGIO	SONDA A INFILZAGGIO	SACET	2800003047	=QG	3	1
2YV1	6700030023	ELETTROVALVOLA	CASTEL	6700030023	=QG	3	1
3BT1	SONDA NTC 6x50	SONDA NTC 6x50	SACET	2800030442	=QG	4	1
3S1	3600030543	TERMOSTATO 6LANAN001LT	PEGO	3600030543	=QG	4	1

### Materials list