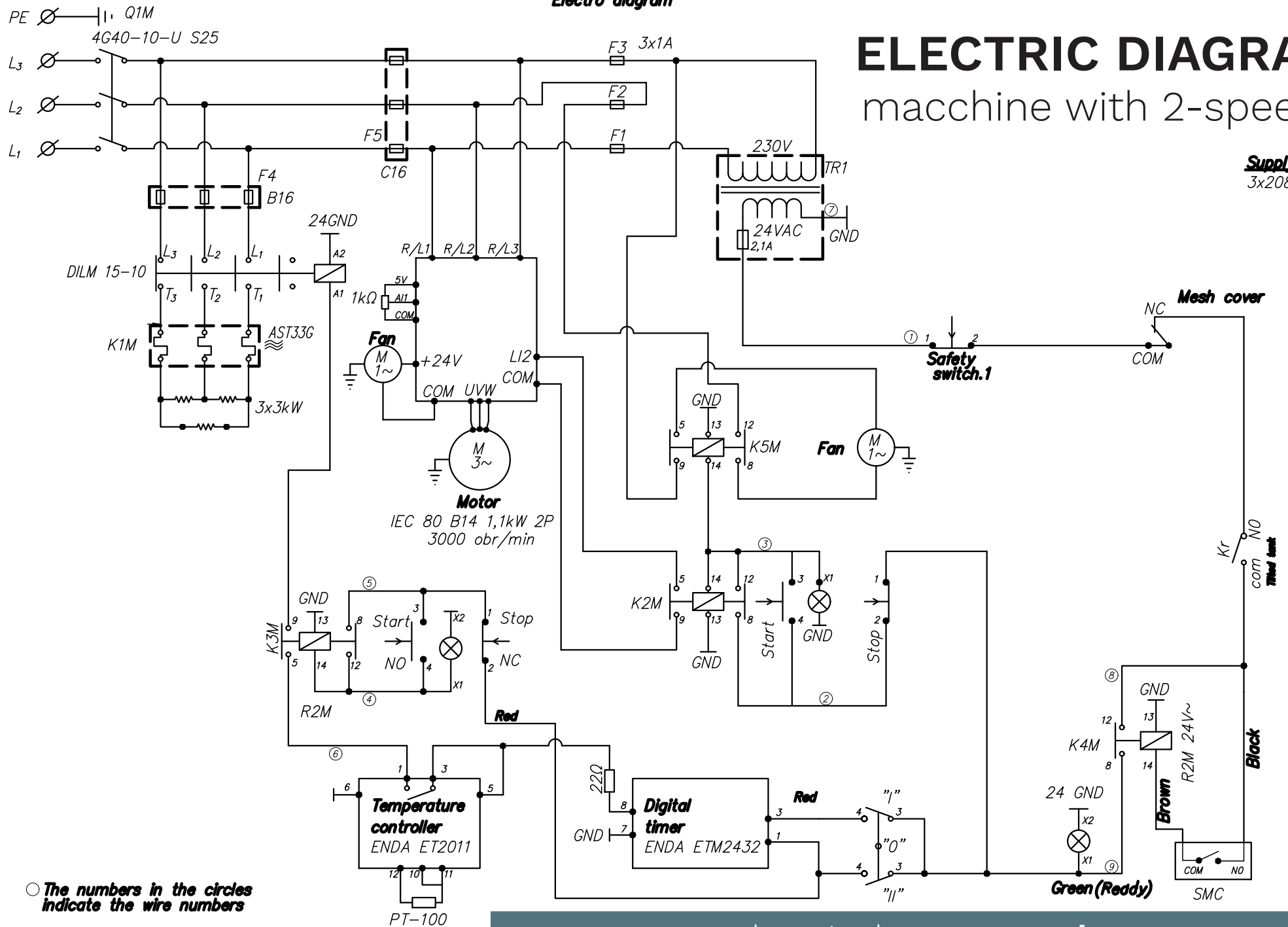


Electro diagram

# ELECTRIC DIAGRAM

machine with 2-speeds

Supply  
3x208V + PE



○ The numbers in the circles indicate the wire numbers