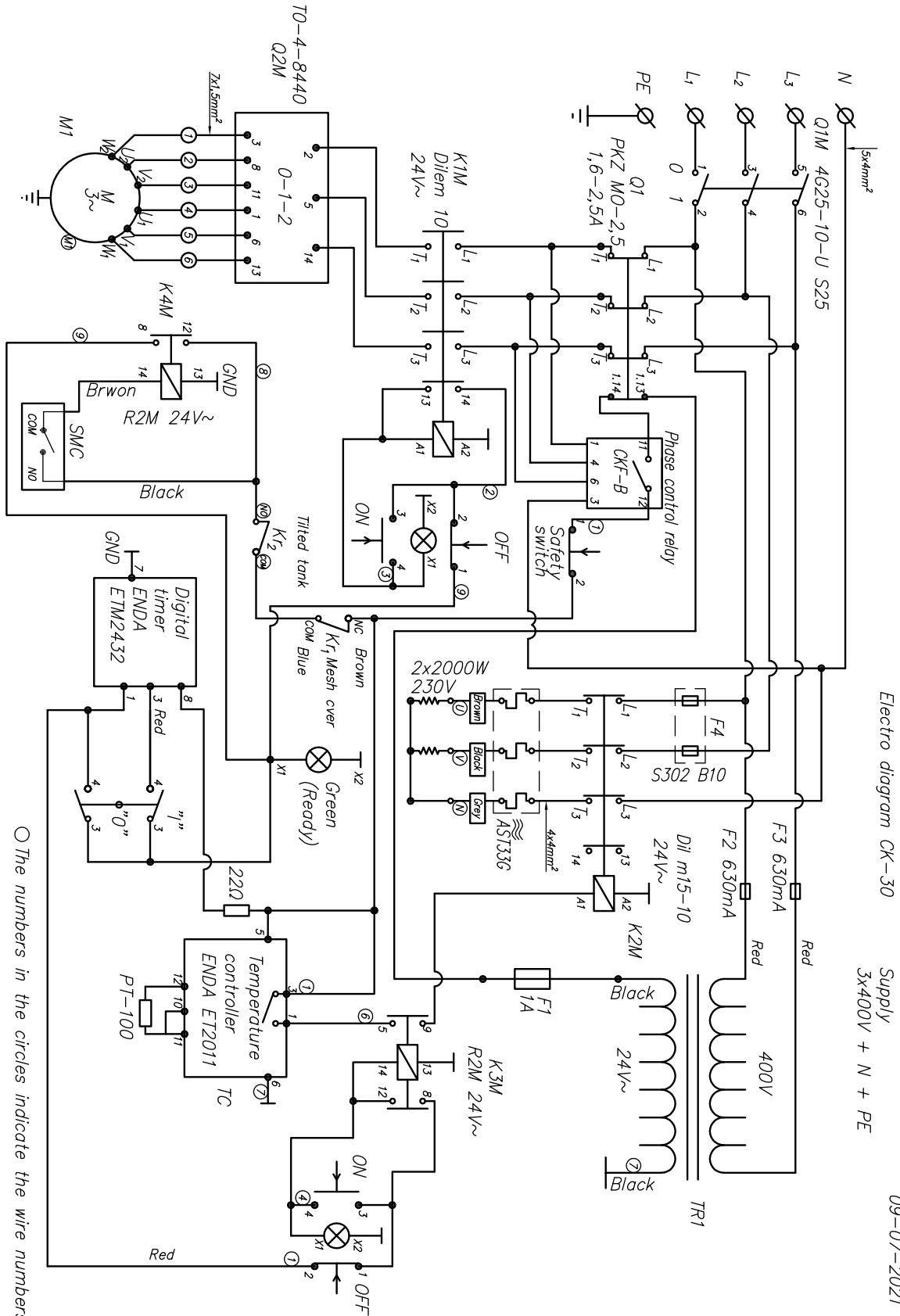


# ELECTRIC DIAGRAM

## macchine with 2-speeds



Electro diagram CK-30

Supply  
3x400V + N + PE

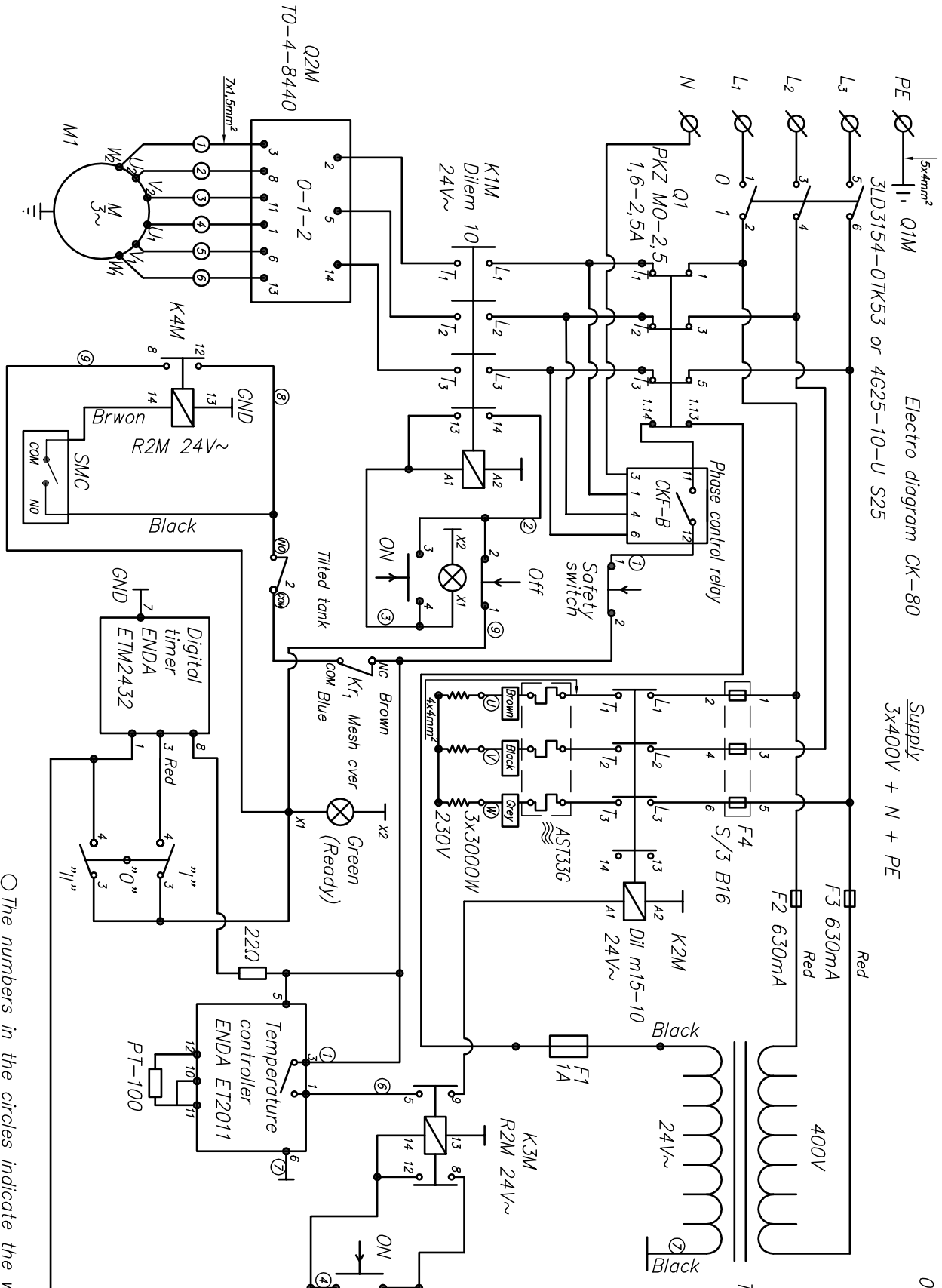
09-07-2021

○ The numbers in the circles indicate the wire numbers



# ELECTRIC DIAGRAM

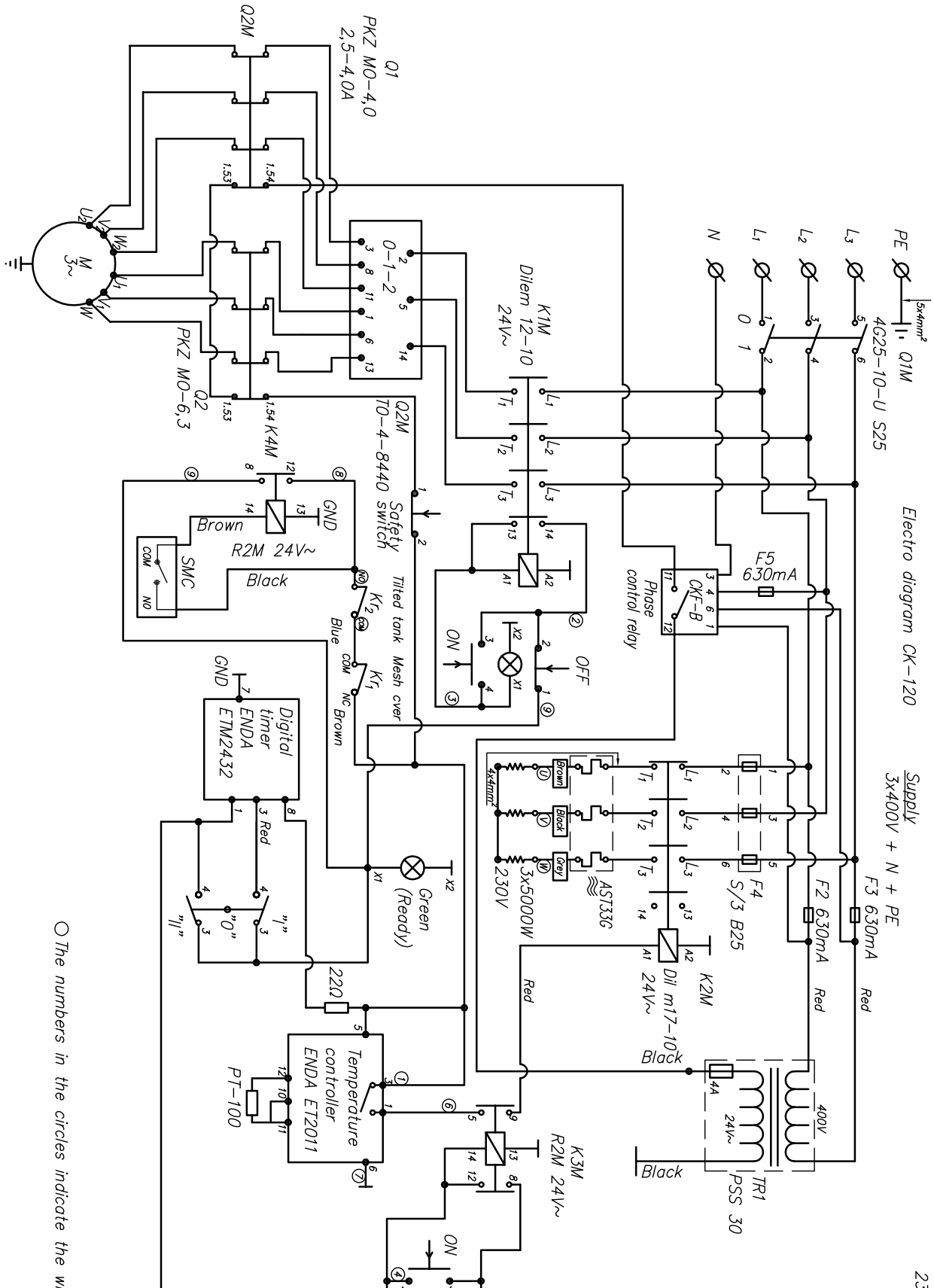
## macchine with 2-speeds



○ The numbers in the circles indicate the n

# ELECTRIC DIAGRAM

## macchine with 2-speeds



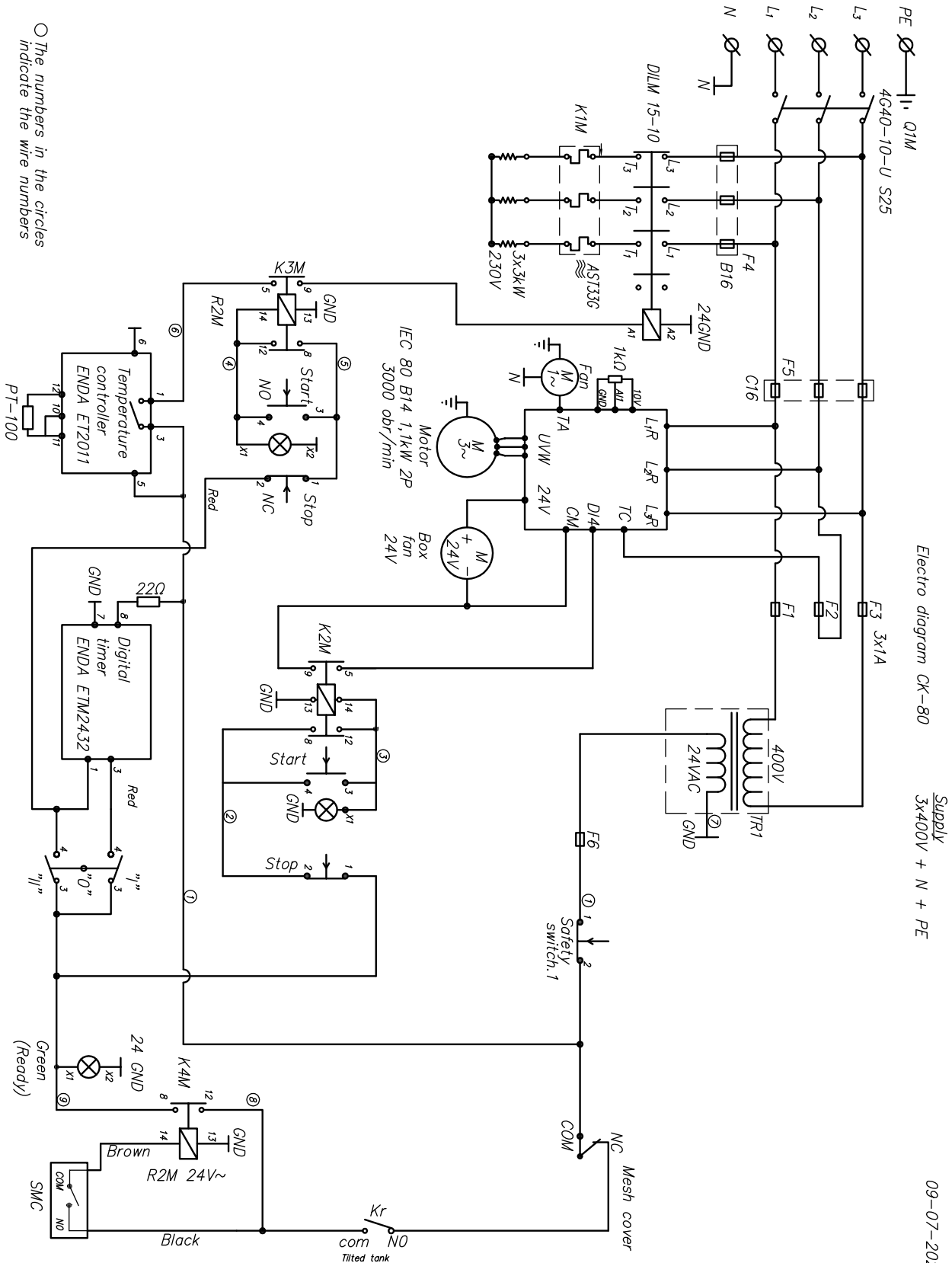
○ The numbers in the circles indicate the wire





# ELECTRIC DIAGRAM

## macchine with inverter



Electro diagram GK-80

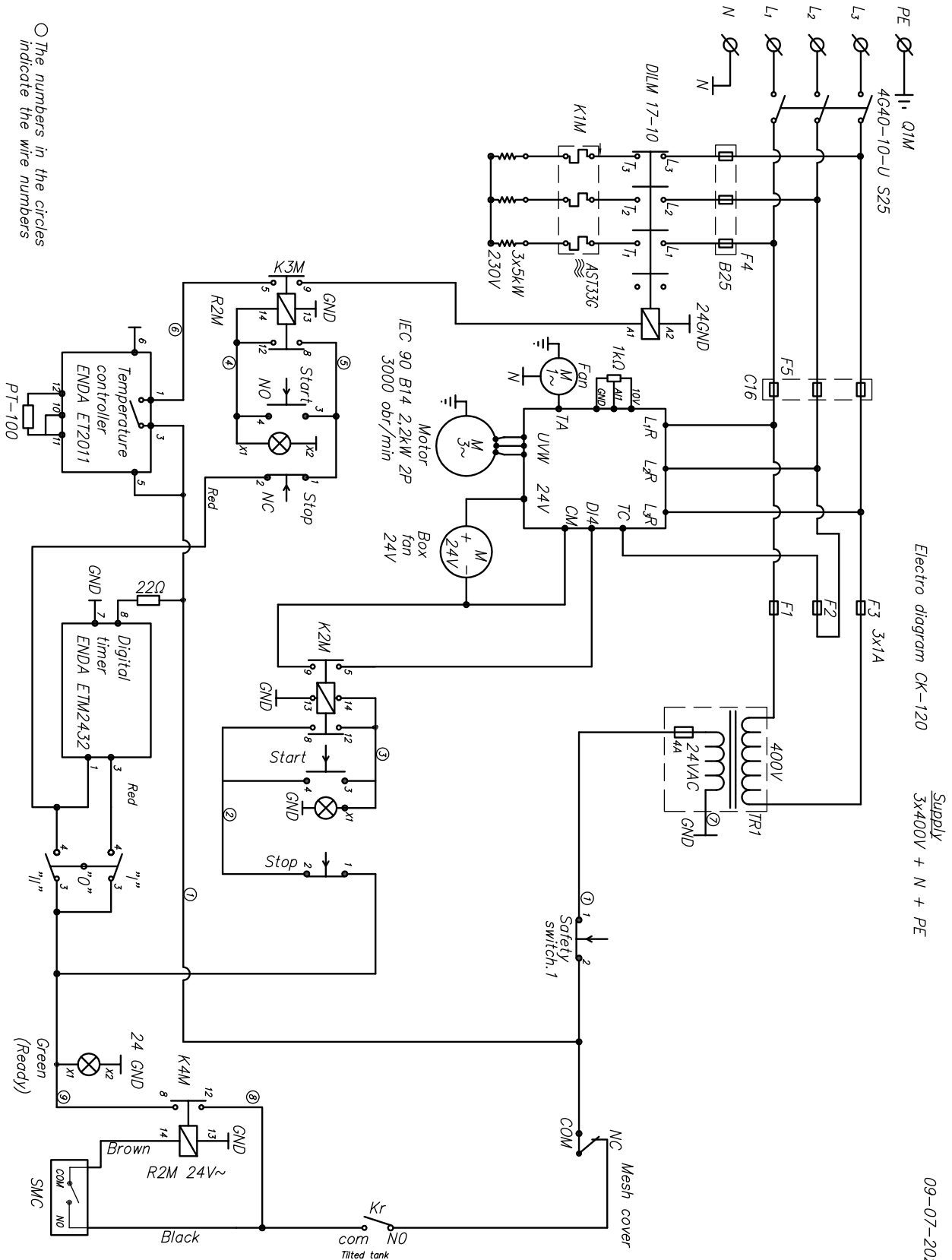
Supply  
3x400V + N + PE

09-07-2021

○ The numbers in the circles indicate the wire numbers

# ELECTRIC DIAGRAM

## macchine with inverter

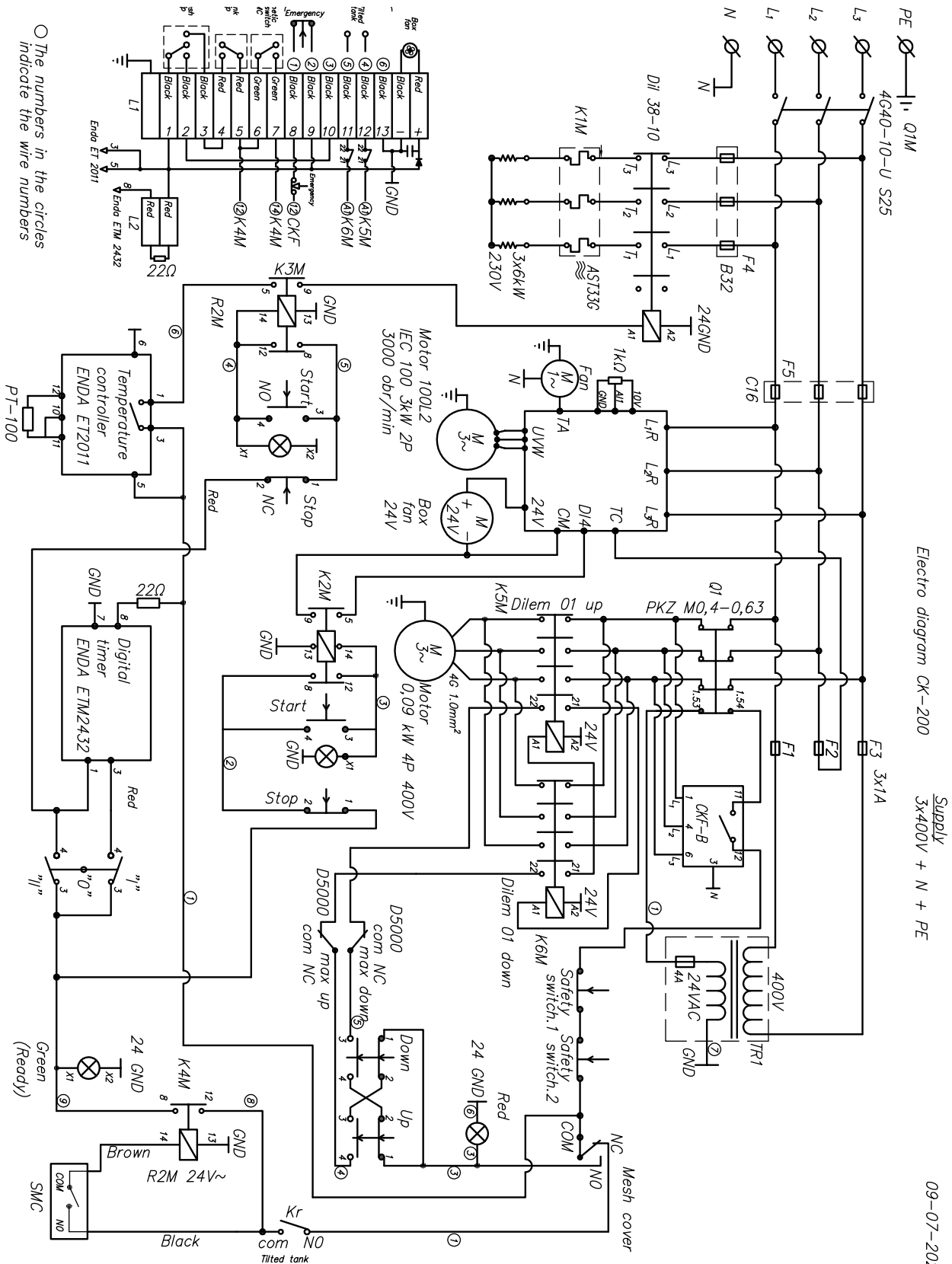


○ The numbers in the circles indicate the wire numbers



# ELECTRIC DIAGRAM

macchine with inverter



○ The numbers in the circles indicate the wire numbers

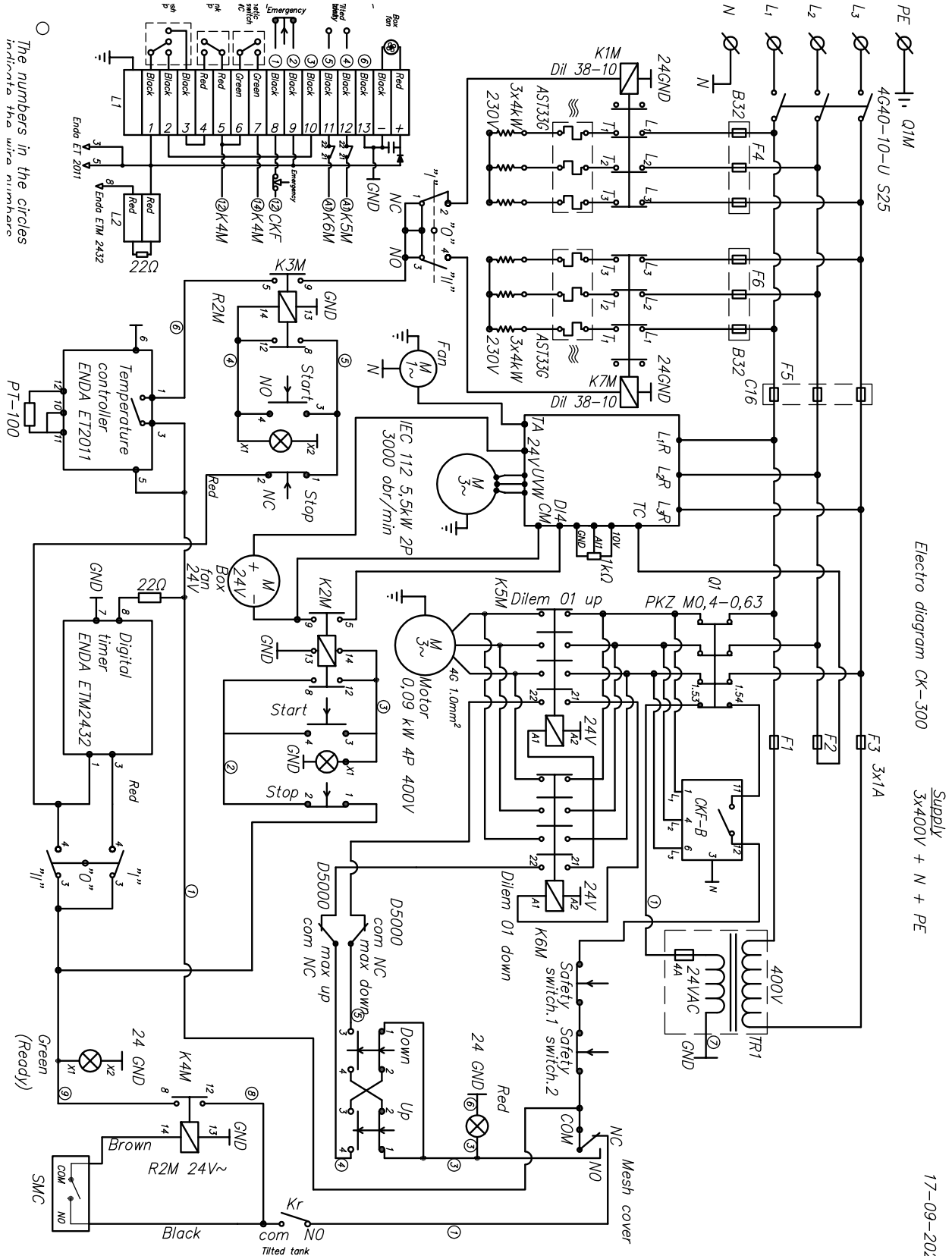
Electro diagram CK-200  
Supply 3x400V + N + PE

09-07-2021

ITALY MADE

# ELECTRIC DIAGRAM

## machine with inverter



The numbers in the circles indicate the wire numbers

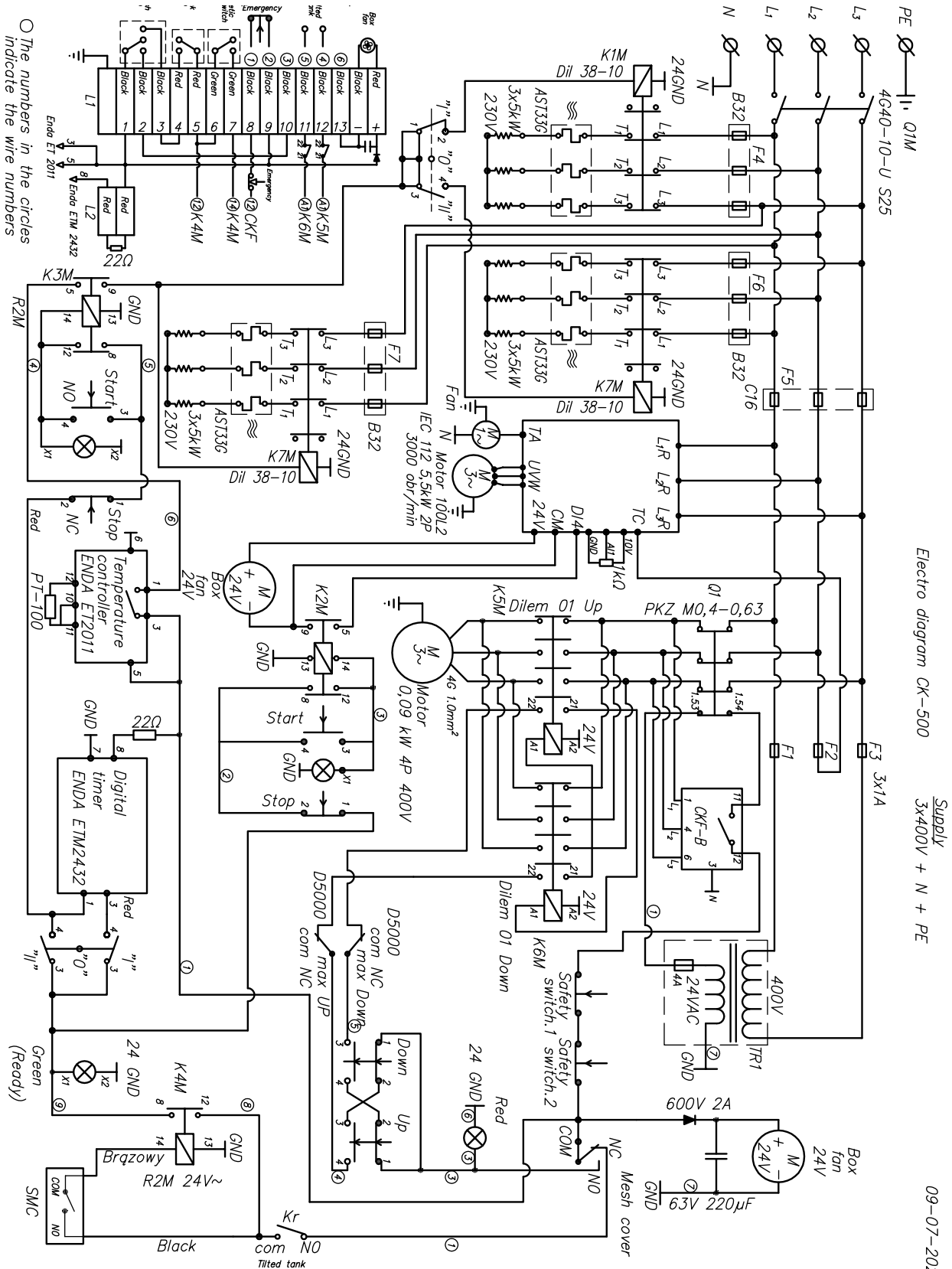
Electro diagram CK-300  
Supply 3x400V + N + PE

17-09-2021

MADE IN ITALY

# ELECTRIC DIAGRAM

macchine with inverter



○ The numbers in the circles indicate the wire numbers

Electro diagram CK-500  
Supply 3x400V + N + PE

09-07-2021