

Spare parts

MD
REV.0-0
ENG

5.1	Description
5.2	Spare parts
	Cell
	Front
	Cooking chamber unit
	Casing
	Gyrohood

5.1 Description

In replacing any components always use original replacements.

To order spare parts, identify the model and mention the serial number on the EC rating plate of the oven.

Cites the paragraph, position, reference and description of the part to be replaced as shown in this instruction book.

For electrical components, refer also to the descriptions contained in the "electrical information" section of this manual.

Inform the authorized retailer or our service office of the description and quantity desired.

Upon receipt of your communication we will supply you with all the information relative to your request and ask your authorization to ship.

In case of parts not contemplated in the spare parts section, contact our service office.

Model

Serial number

Year of manufacture

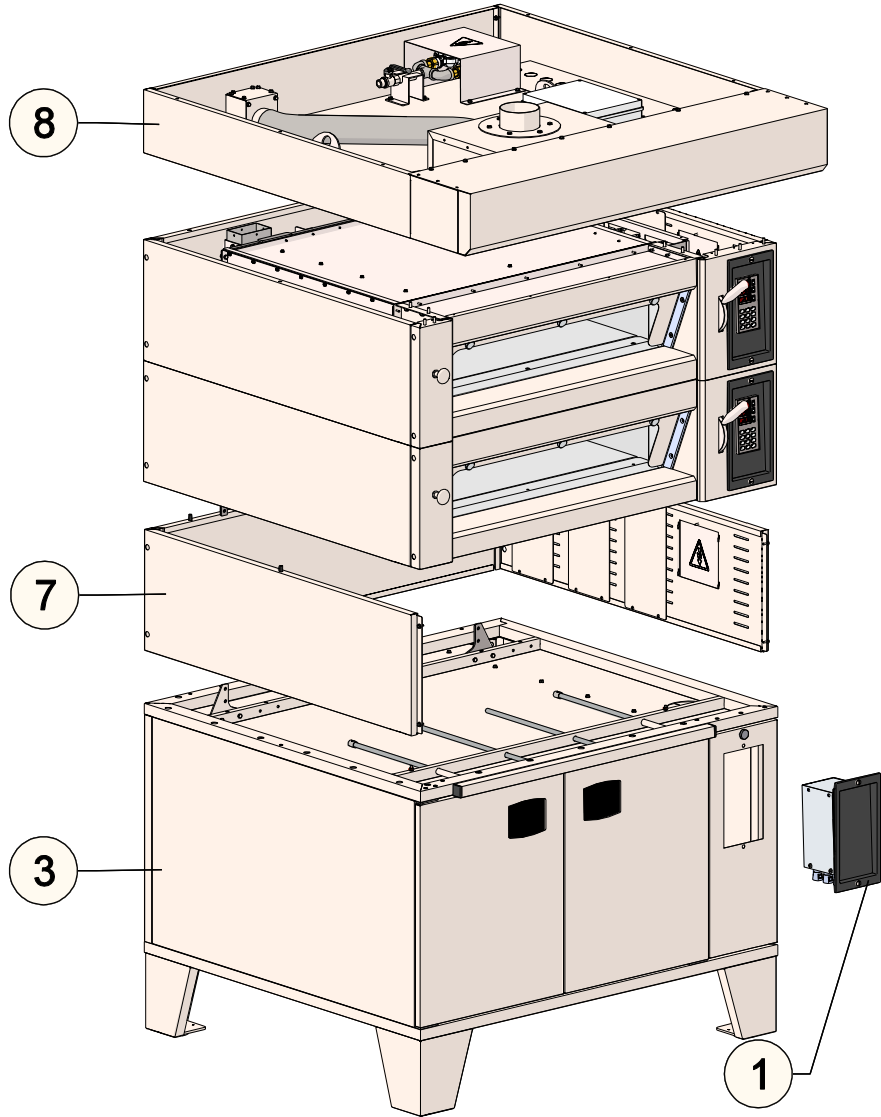
Part code number

Denomination

Quantity

5.2 Spare parts

FIG.0



- 1 Electric board (control section) - Cell
- 2 Electric board (control section)
- 3 Cell
- 4 Front

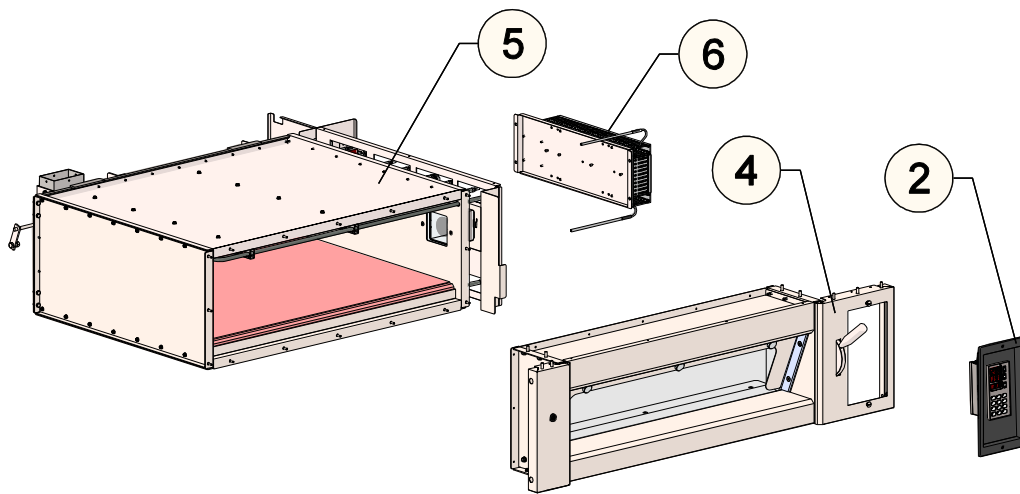
see annex F

see annex F

Pag. 6

Pag. 9



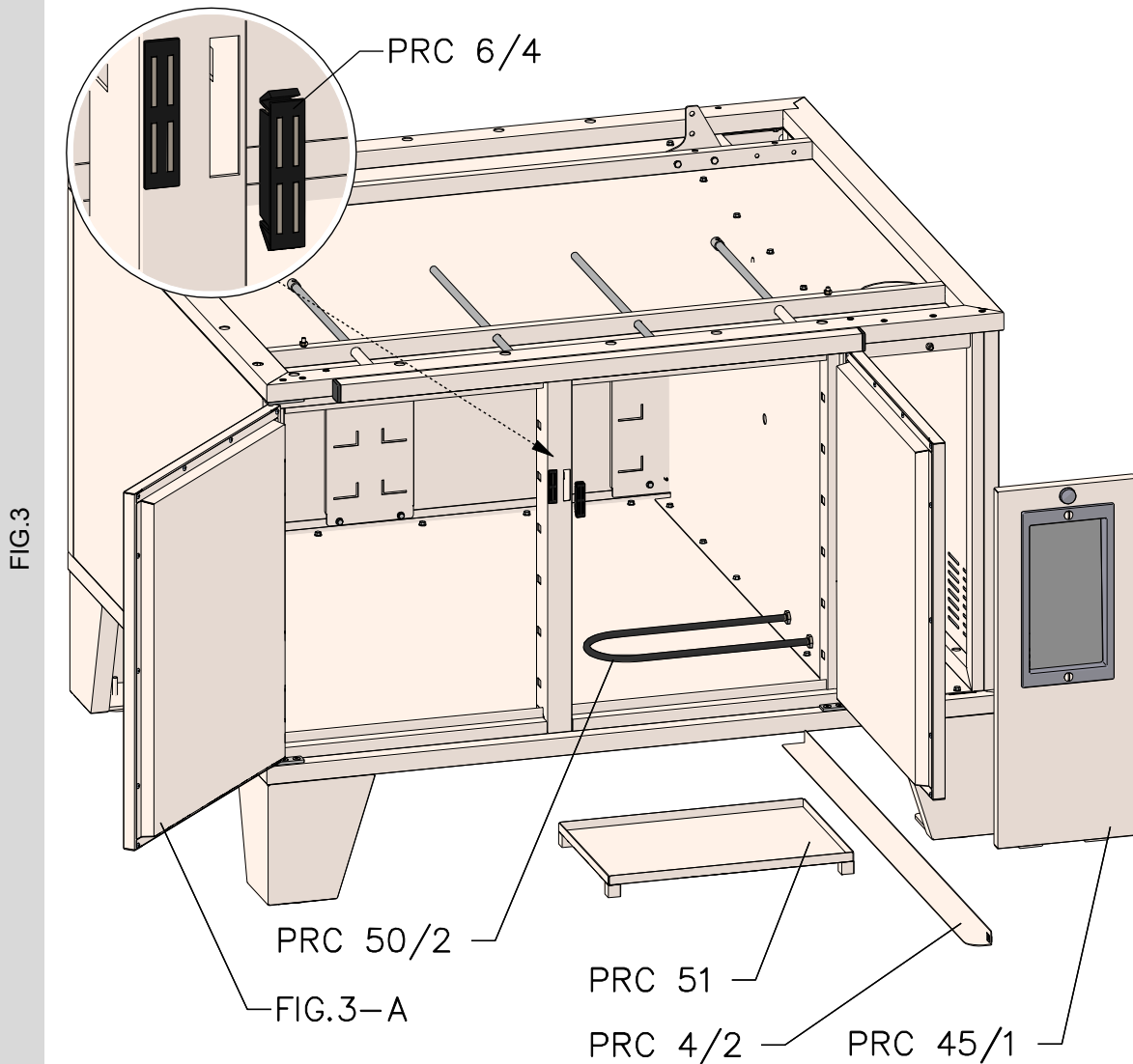


- 5** Electric cooking chamber
- 6** Electric board (power section)
- 7** Casing
- 8** Gyrohood

Pag. 12
see annex F
Pag. 15
Pag. 16



Cell



code

PRC 50/2	HEATING ELEMENT FOR PROOFER
PRC 51	BASIN FOR PROOFER STEAM GENERATOR
PRC 4/2	TRAY-HOLDER ANGLE
PRC 45/1	DOOR OF PROOFER STEAM GENERATOR COMPARTMENT
PRC 6/4	MAGNET LOCK FOR PROOFER DOOR

Ventilated Proofer

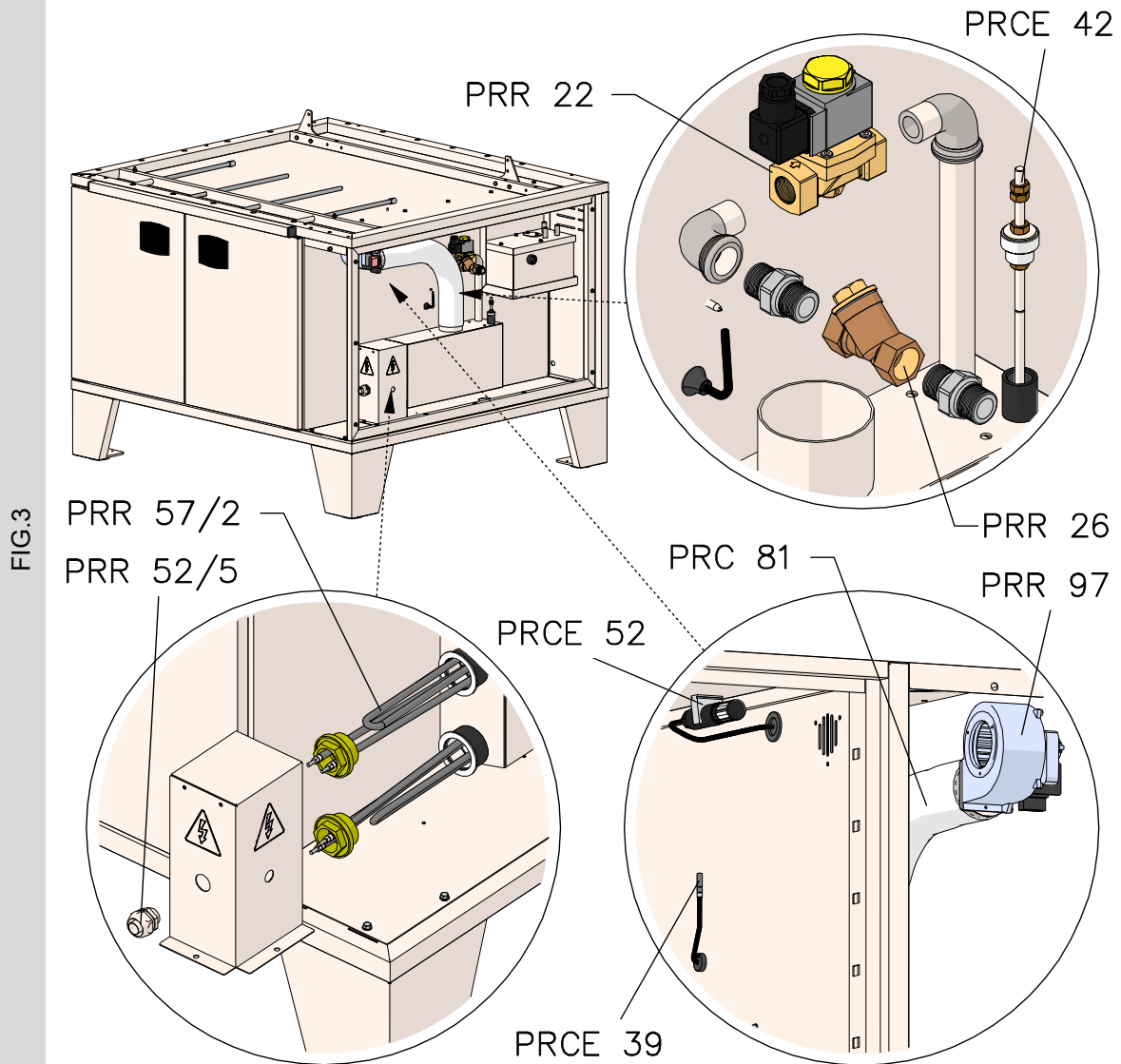


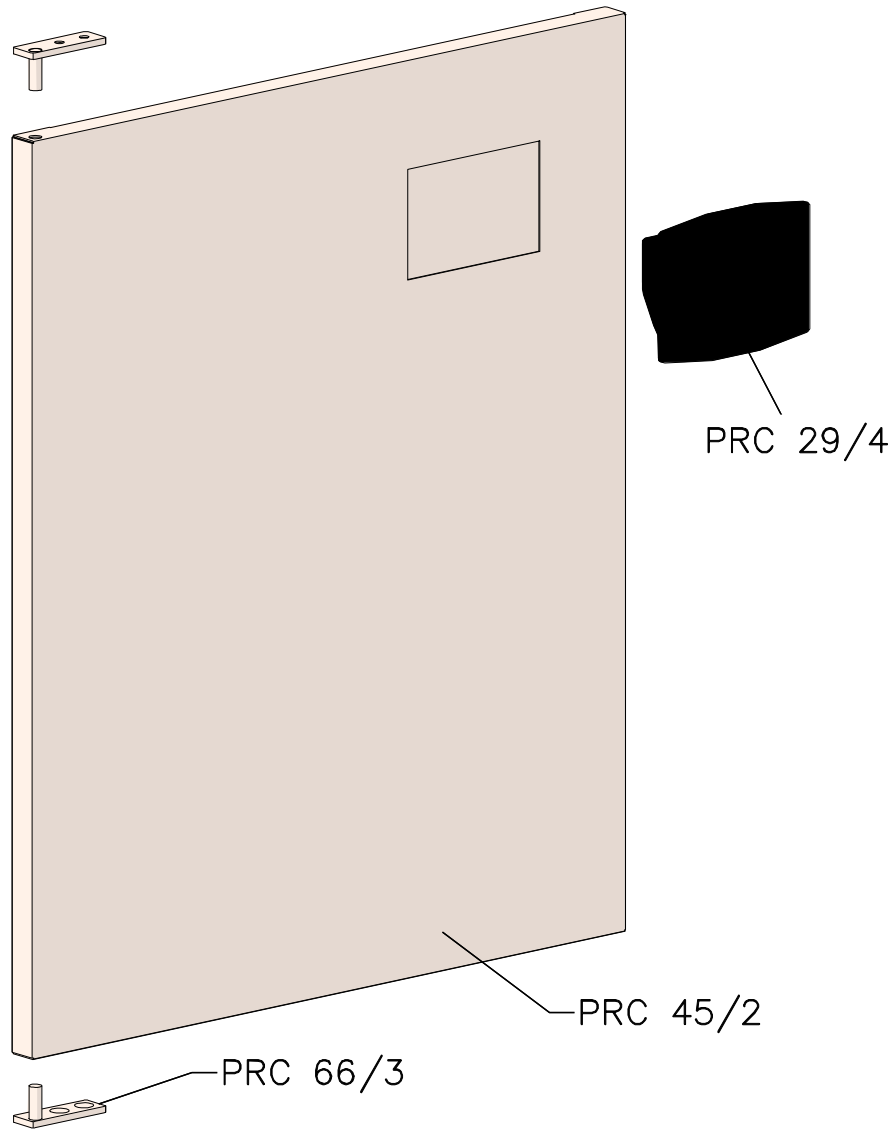
FIG.3

code	
PRCE 42	PROBE FOR LEVEL REGULATOR
PRR 22	WATER SOLENOID VALVE - COMPLETE
PRR 26	WATER SOLENOID VALVE FILTER
PRR 57/2	AUTOMATIC PROOFER HEATING ELEMENT
PRR 52/5	STRAIGHT SHEATH FASTENER
PRC 81	FLEXIBLE STAINLESS STEEL TUBE Ø70
PRR 97	FAN FOR AUTOMATIC PROOFER
PRCE 52	PROBE FOR HUMIDITY CONTROLLER
PRCE 39	THERMOSTAT PROBE

MADE IN ITALY

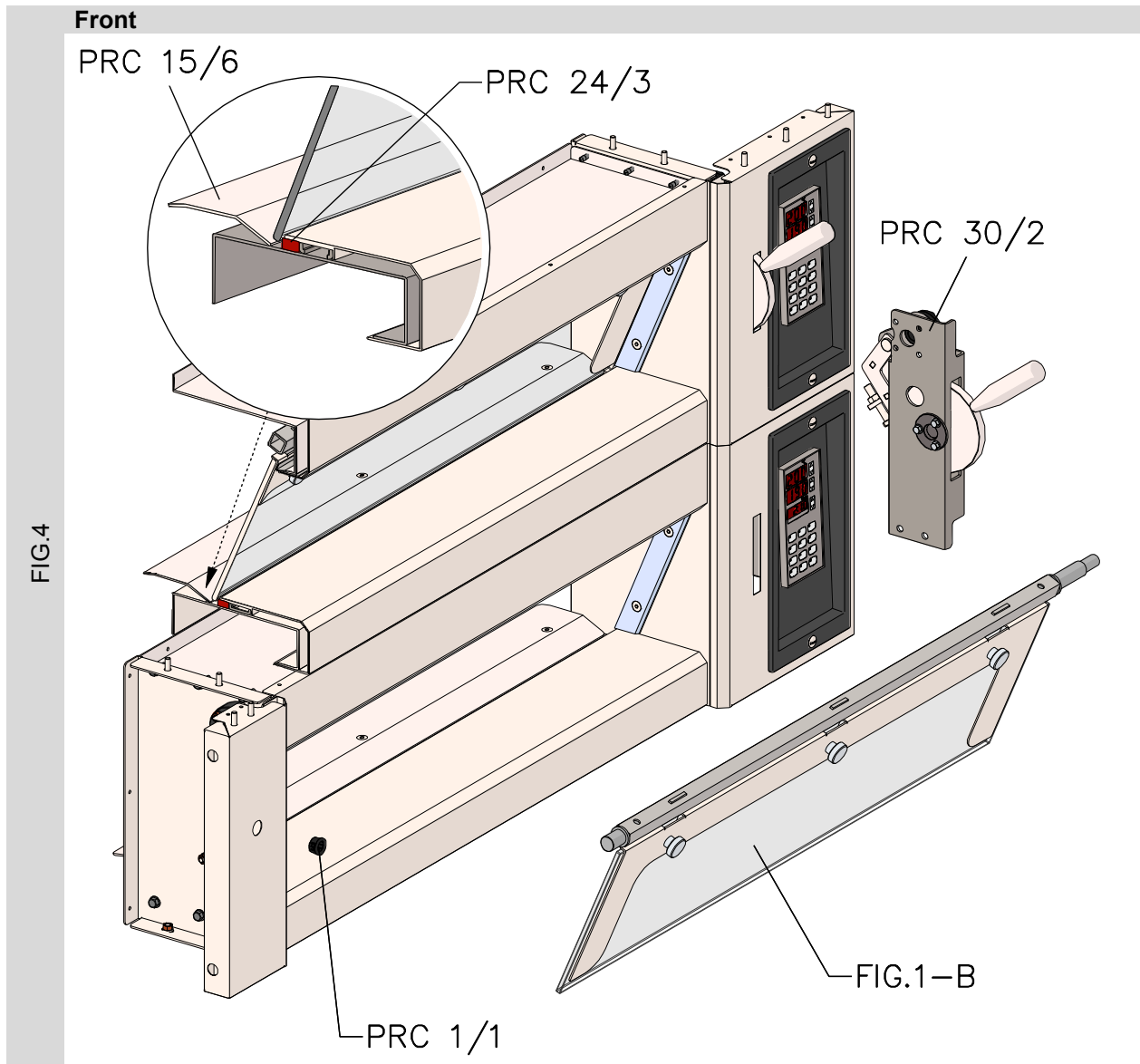
Door of Proofer Trays Compartment

FIG.3-A



code

PRC 66/3	HINGE FOR PROOFER DOOR
PRC 29/4	HANDLE FOR PROOFER DOOR
PRC 45/2	DOOR OF PROOFER TRAYS COMPARTMENT

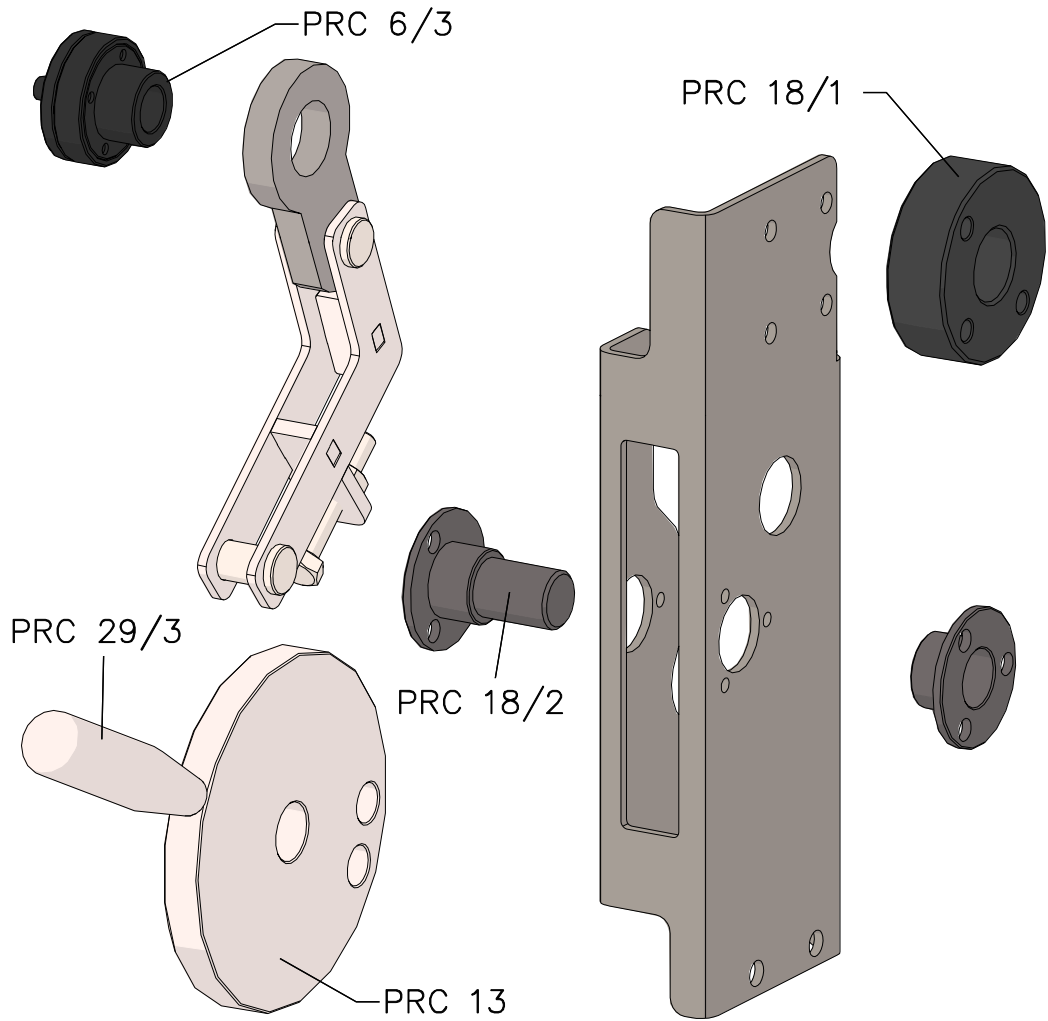


code

PRC 30/2	MOTION ASSEMBLY FOR DOOR GLASS - DECK OVEN
PRC 1/1	RING FOR SLIDING OF STEAM EXHAUST SHAFT
PRC 24/3	DOOR GLASS GASKET
PRR 15/6	PROFILE FOR BAKING DECK BLOCKING

HANDLE ASSEMBLY

PRC 30/2

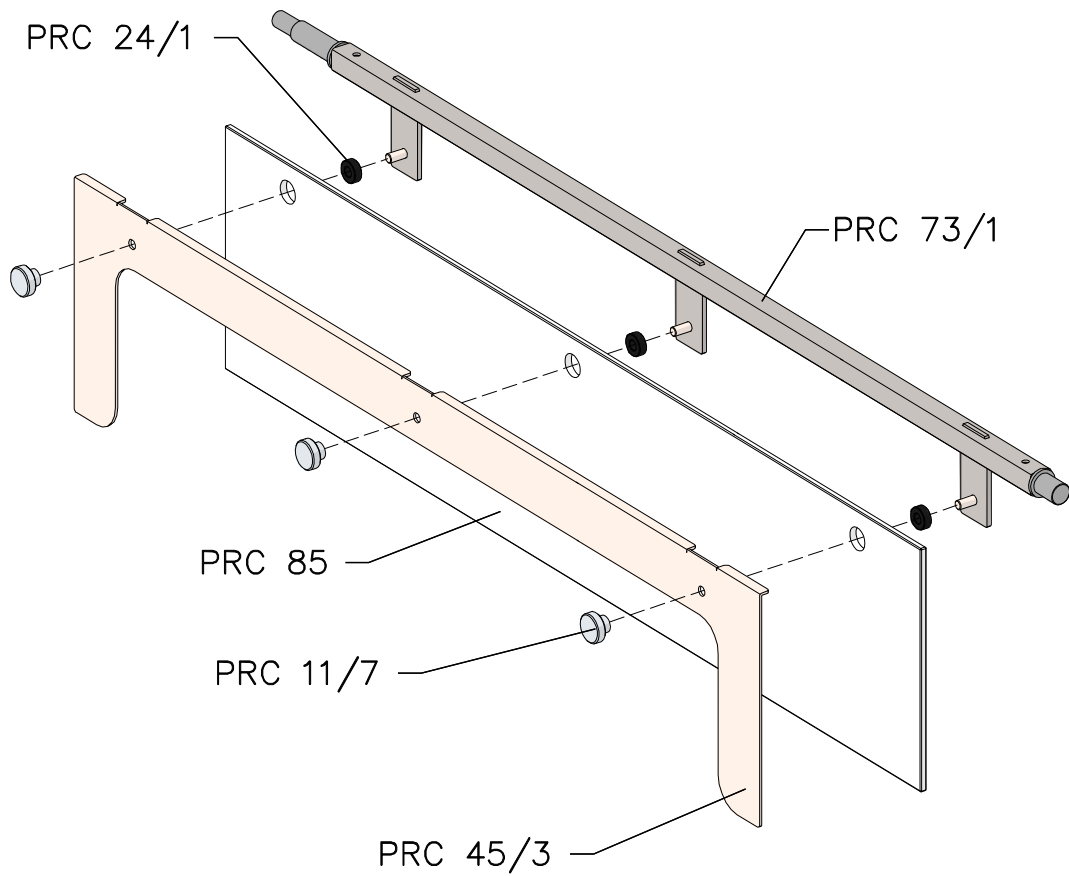


code

PRC 6/3	SELF-LOCKING COUPLING FOR DOOR GLASS MOTION
PRC 18/1	RING NUT FOR DOOR GLASS
PRC 13	SUPPORT DISK FOR DOOR GLASS HANDLE
PRC 18/2	RING NUT FOR DOOR GLASS MOTION
PRC 29/3	HANDLE FOR DOOR GLASS

MOTION ASSEMBLY FOR DOOR GLASS

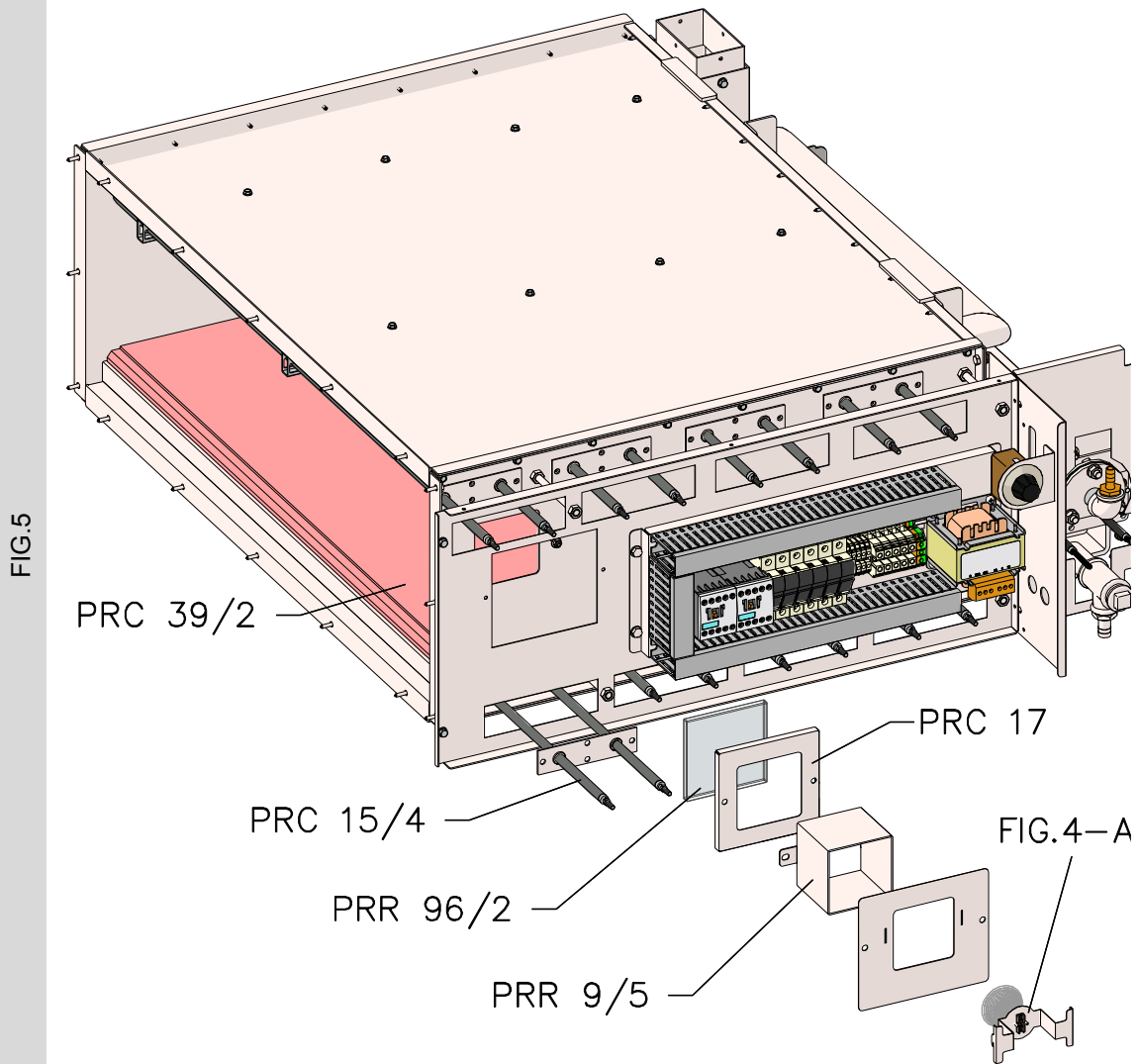
FIG.1-B



code

PRC 11/7	FASTENING NUT FOR DOOR GLASS
PRC 24/1	ROUND DOOR GLASS GASKET
PRC 73/1	SUPPORT PIPE FOR DOOR GLASS COMPLETE WITH BRACKETS AND ROTATION SHAFT
PRC 85	DOOR GLASS FOR DECK OVEN
PRC 45/3	DOOR GLASS PROTECTION - STAINLESS STEEL

Electric cooking chamber

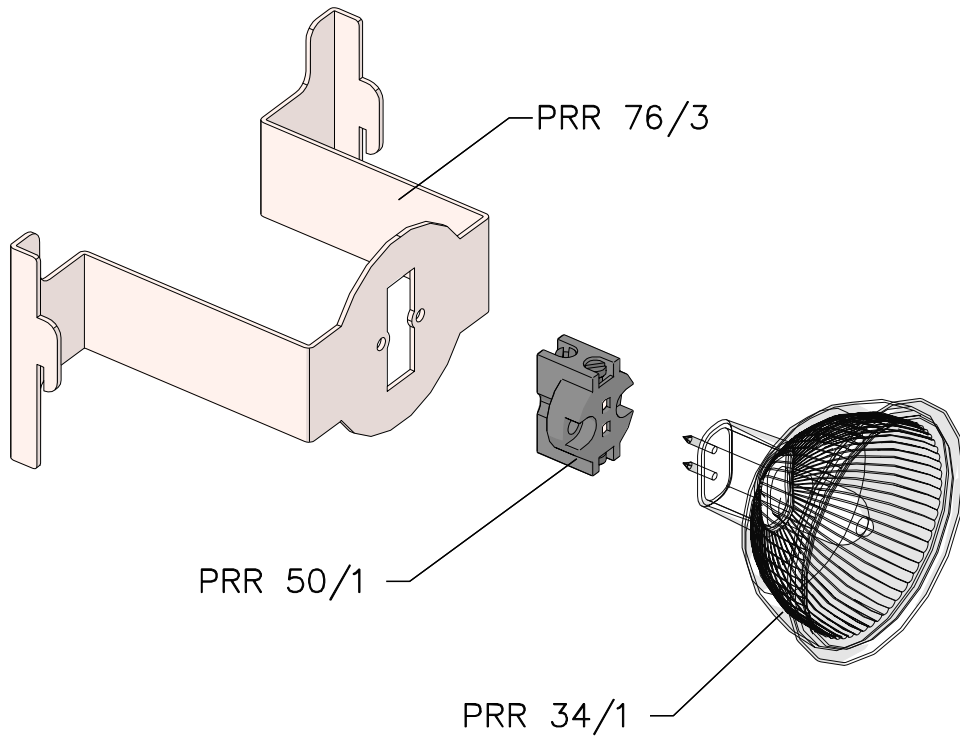


code

PRC 15/4	HEATING ELEMENT "NARROW" - DECK OVEN
PRC 39/2	BAKING TILE - FYDRO - FOR DECK OVEN
PRC 17	FLANGE FOR LAMP GLASS
PRR 96/2	LIGHT GLASS
PRR 9/5	ILLUMINATION UNIT INSULATING CONTAINMENT PANEL

LAMP HOLDER BAR

FIG 4 A

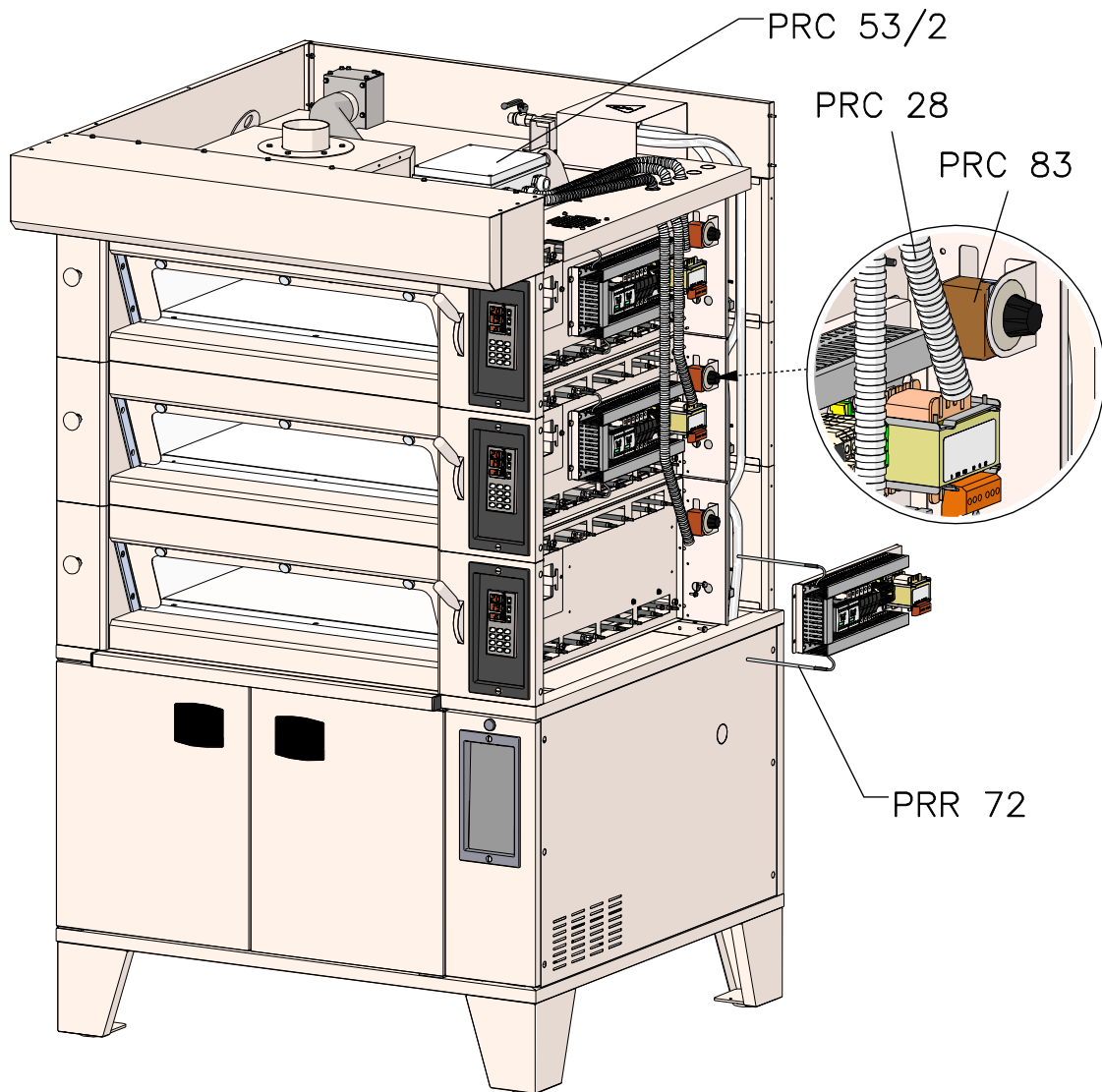


code

PRR 76/3	HALOGEN LAMP BRACKET
PRR 50/1	LAMP HOLDER FOR HALOGENOUS LAMP
PRR 34/1	OVEN ILLUMINATION HALOGENOUS LAMP

Electric cooking chamber- Electric board (power section)

FIG.6

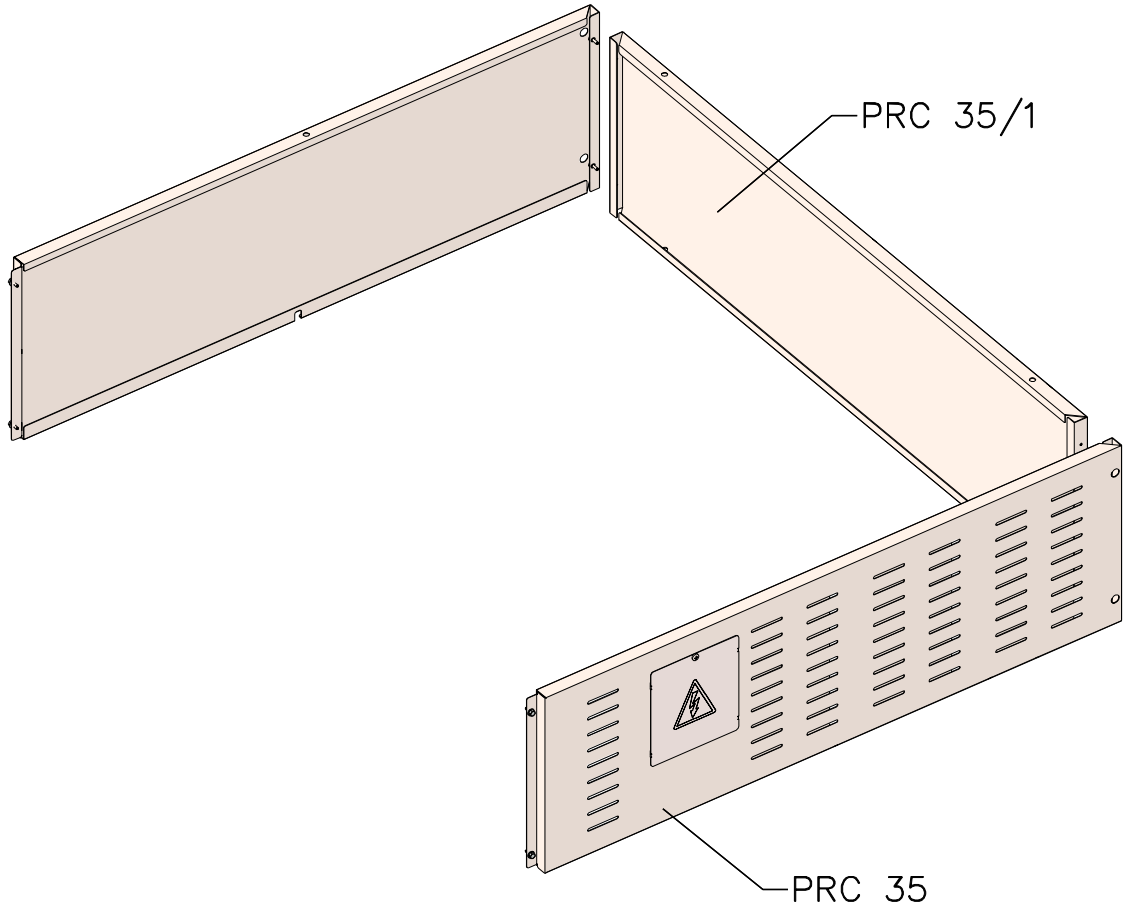


code

PRR 53/2	DERIVATION BOX FOR CABLES
PRR 28	SHEATH FA-21
PRR 72	PROBE FOR ELECTRONIC THERMOREGULATOR
PRC 48/6	Electric board (power section) - SEE ANNEX "F"
PRC 83	THERMOSTAT FOR STEAM GENERATOR

Casing

FIG.7



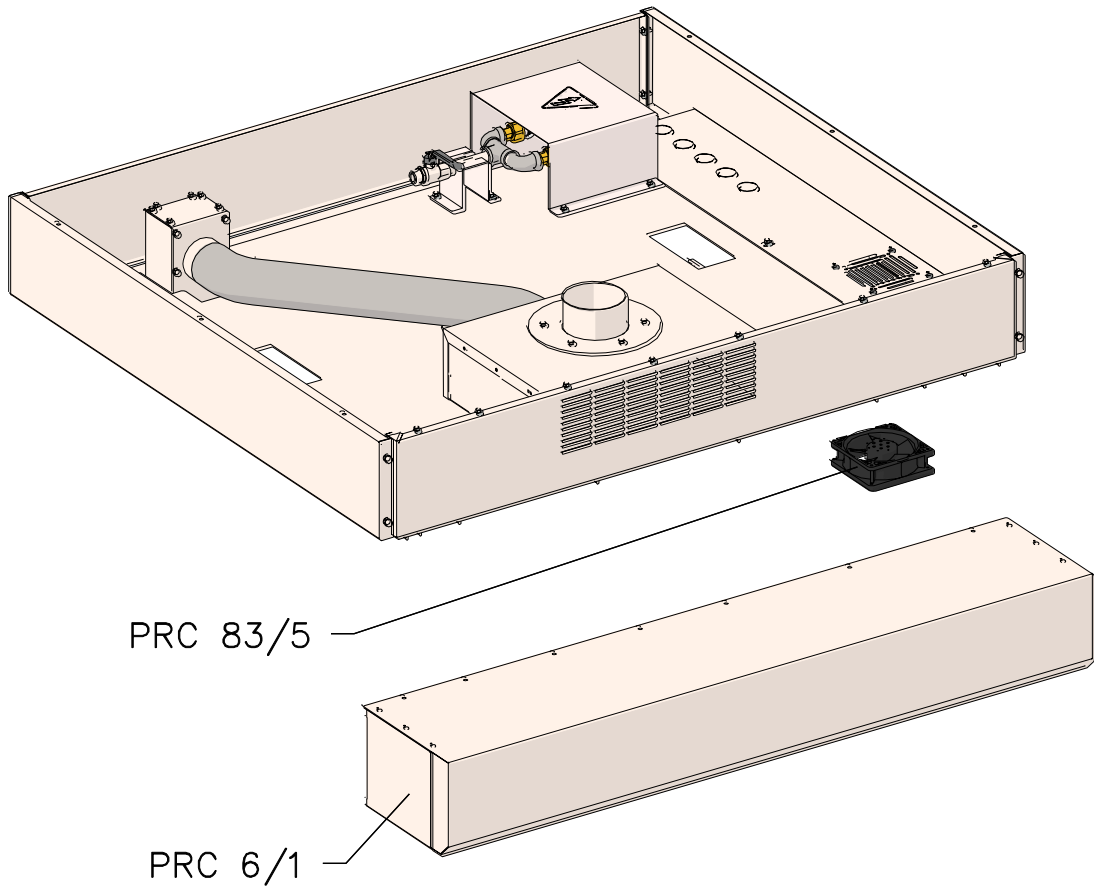
code

PRC 35/1
PRC 35

PANEL "REAR" - PAINTED STEEL
PANEL "LATERAL" - PAINTED STEEL

Gyrohood

FIG.8



code

PRC 6/1
PRC 83/5

HOOD
FAN FOR AIR CIRCULATION