

10 Attached documents

10.1 Spare parts

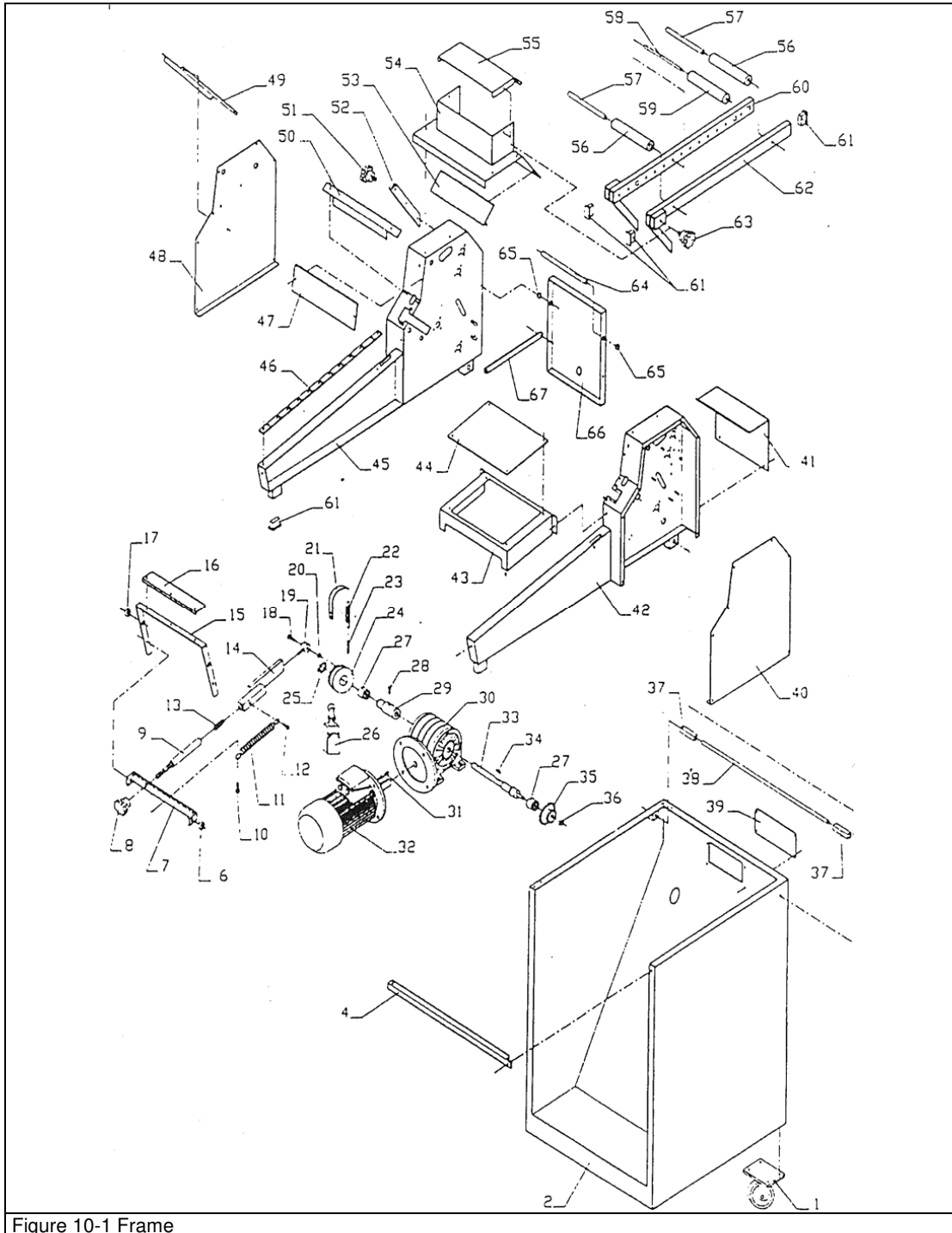


Figure 10-1 Frame

Table 14: List of components – Frame

Reference	Name	Reference	Name
1	Swivel wheel	35	Motor pinion
2	Base	36	Seeger ring
3	Electric panel support	37	Spacer
4	Joining support	38	Shoulder support pin
5	Electrical panel guard	39	Plate holder
6	Bush	40	Side cover
7	Knife adjustment bracket	41	Rear cover
8	Handwheel	42	Left panel
9	Knife adjustment shaft	43	Knife cover
10	Fixing screw	44	Knife cover
11	Spring	45	Right panel
12	Fixing screw	46	Ruler
13	Spring	47	Front guard
14	Rod	48	Side cover
15	Knife support	49	Pedestal guard
16	Knife	50	Joining bracket
17	Bush	51	Handwheel
18	Fixing screw	52	Fixing bracket
19	Articulated head	53	Bottom guard
20	Nut	54	Top cover
21	Brake	55	Cover
22	Spring	56	Roller
23	Fixing screw	57	Pin for roller
24	Wheel brake	58	Pin for roller
25	Seeger ring	59	Roller
26	Microswitch	60	Roller support
27	Roller bush	61	Stopper
28	Fixing screw	62	Roller support
29	Shaft	63	Handwheel
30	Gearbox	64	Shaft
31	Key	65	Bush
32	Motor	66	Side guide
33	Gearbox shaft	67	Side guard bracket
34	Key		

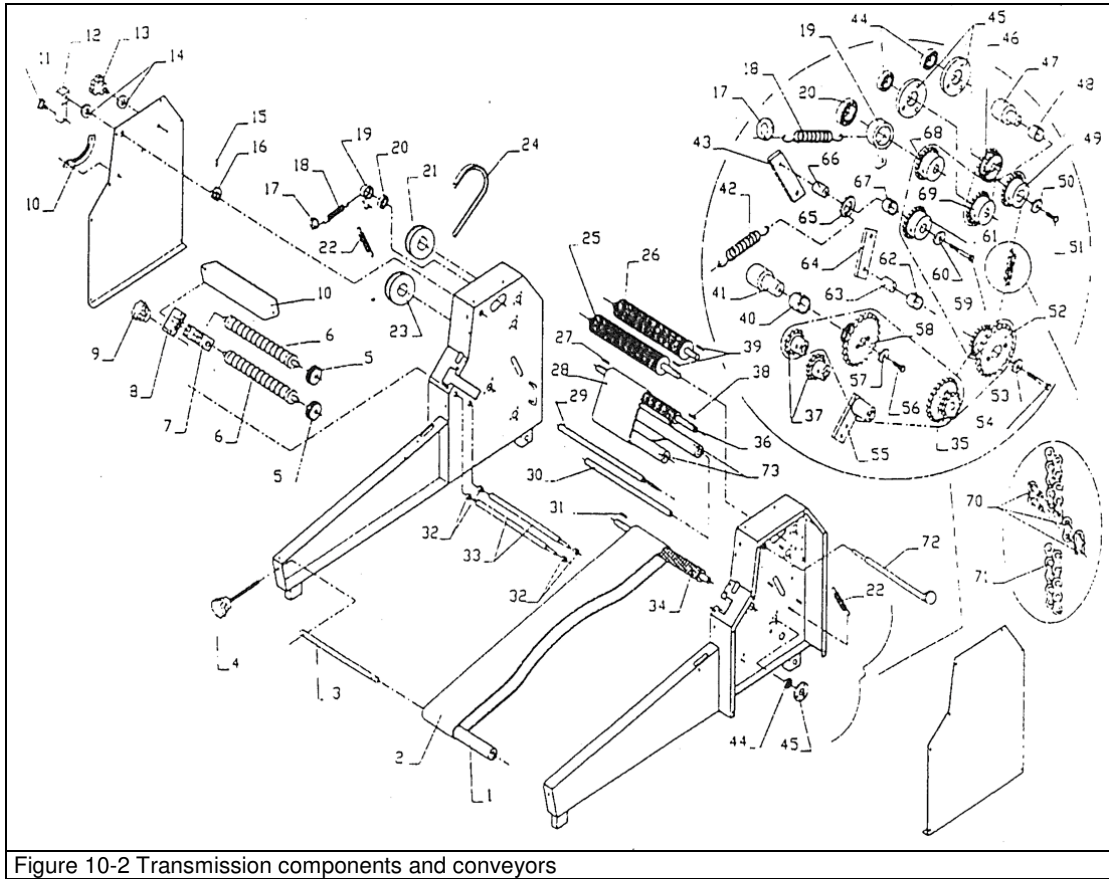


Figure 10-2 Transmission components and conveyors

Table 15: List of components - Transmission components and conveyors

Reference	Name	Reference	Name
1	Deflection roller	38	Key
2	Belt	39	Key
3	Roller shaft	40	DU bush
4	Handwheel	41	Chain deflection pin
5	Gear	42	Spring
6	Breadsticks roller	43	Chain tensioning disc
7	Breadsticks roller support	44	Bearing
8	Fixing disc	45	Flange
9	Handwheel	46	Double crown
10	Dough thickness divider	47	Chain deflection pin
11	Handwheel	48	DU bush
12	Thickness adjustment lever	49	Pinion
13	Handwheel	50	Washer
14	Ring	51	Fixing screw
15	Plug	52	Double pinion
16	Eccentric pin	53	Washer
17	Washer	54	Fixing screw
18	Spring	55	Chain tensioner
19	Bearing support	56	Fixing screw
20	Bearing	57	Washer
21	Pulley	58	Pinion with gear
22	Spring	59	Fixing screw
23	Pulley	60	Washer
24	Belt	61	Pinion
25	Dough thickness roller	62	DU bush
26	Dough thickness roller	63	Spacer
27	Key	64	Chain tensioning disc
28	Belt	65	Washer
29	Idler shaft	66	Spacer
30	Idler shaft	67	DU bush
31	Key	68	Pinion
32	DU bush	69	Pinion
33	Shaft	70	Chain joint
34	Pulling roller	71	Chain
35	Motor pinion	72	Eccentric shaft
36	Pulling roller	73	Idler roller
37	Pinion		

0