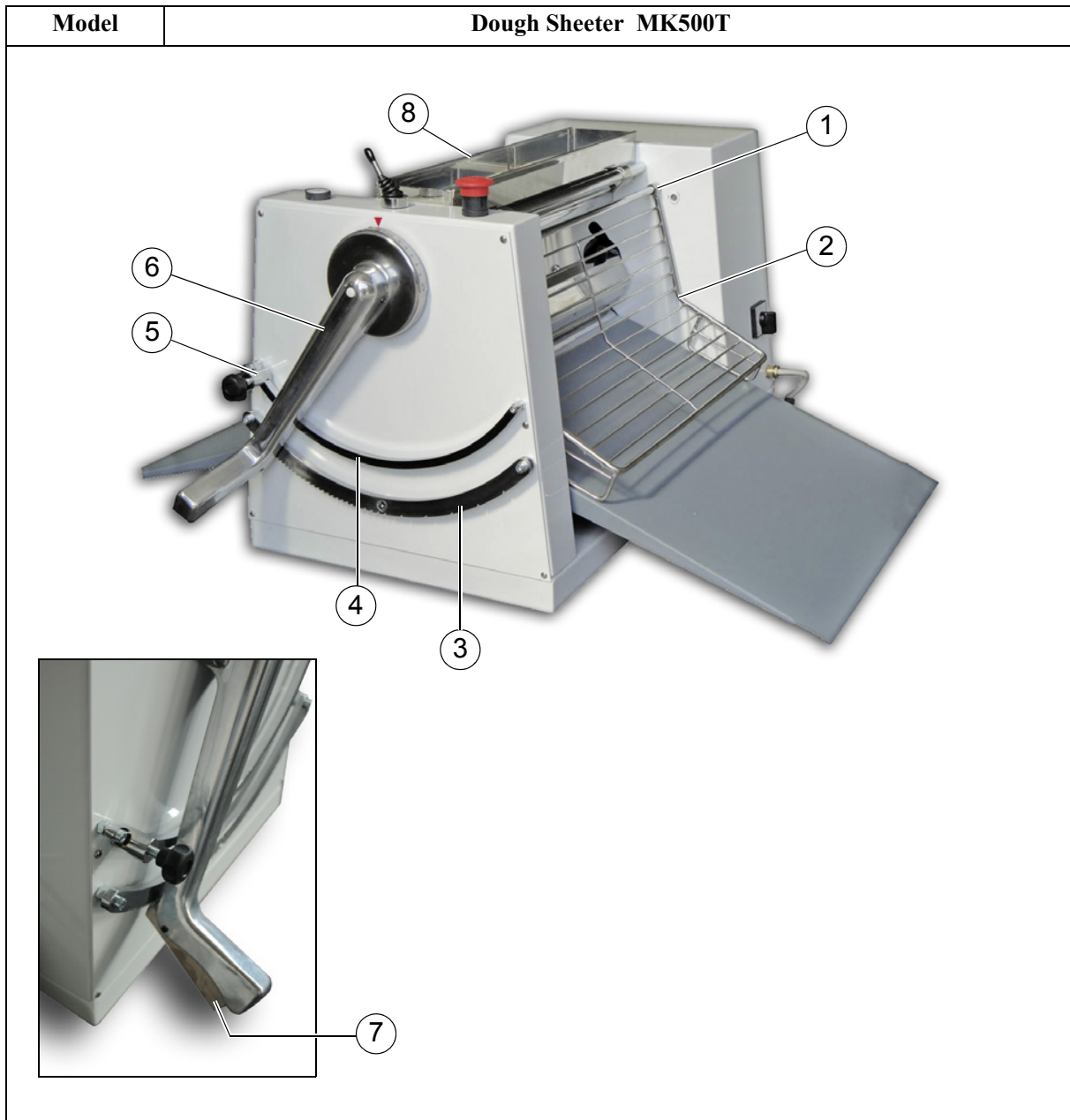
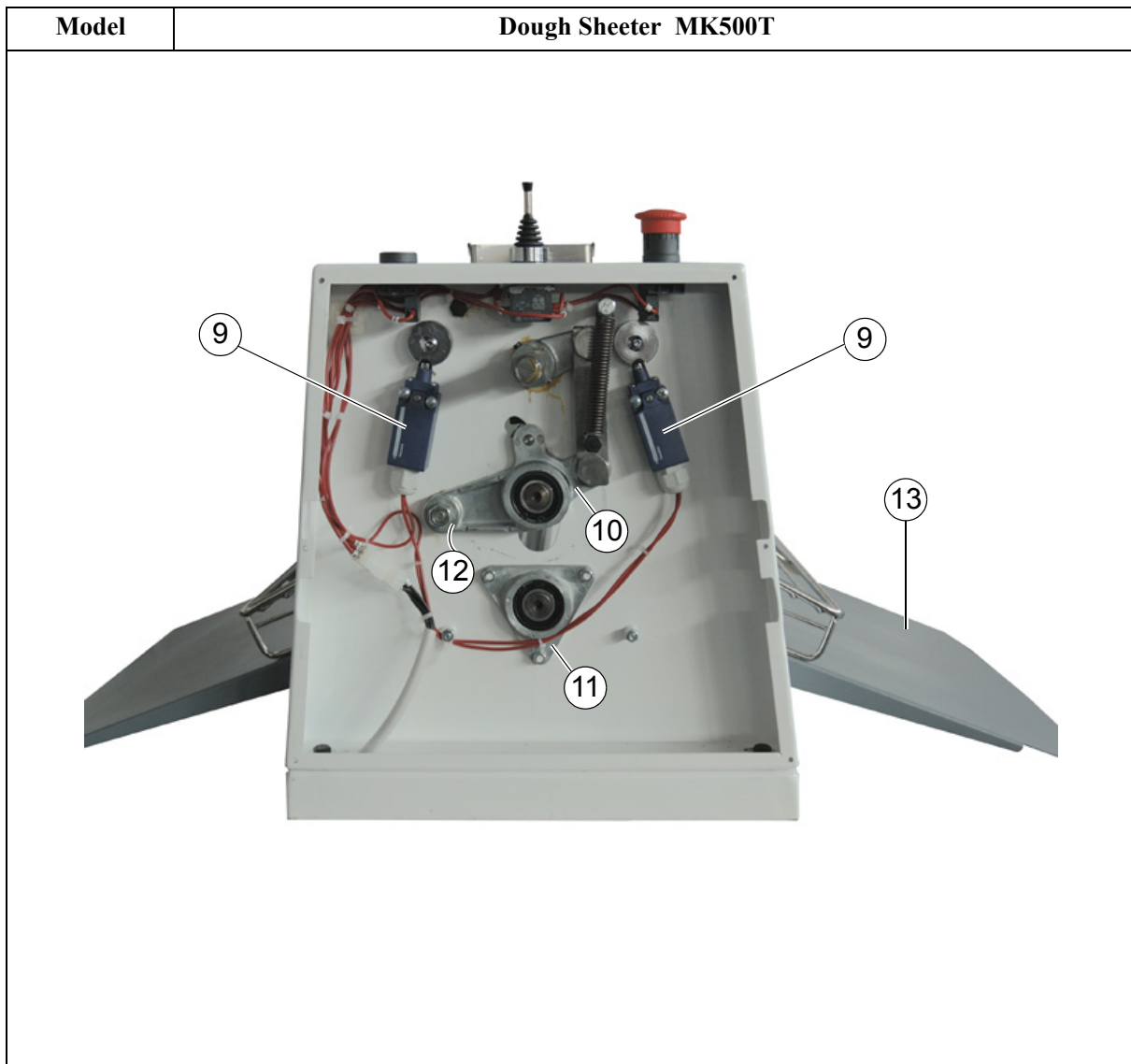


# SPARE PARTS



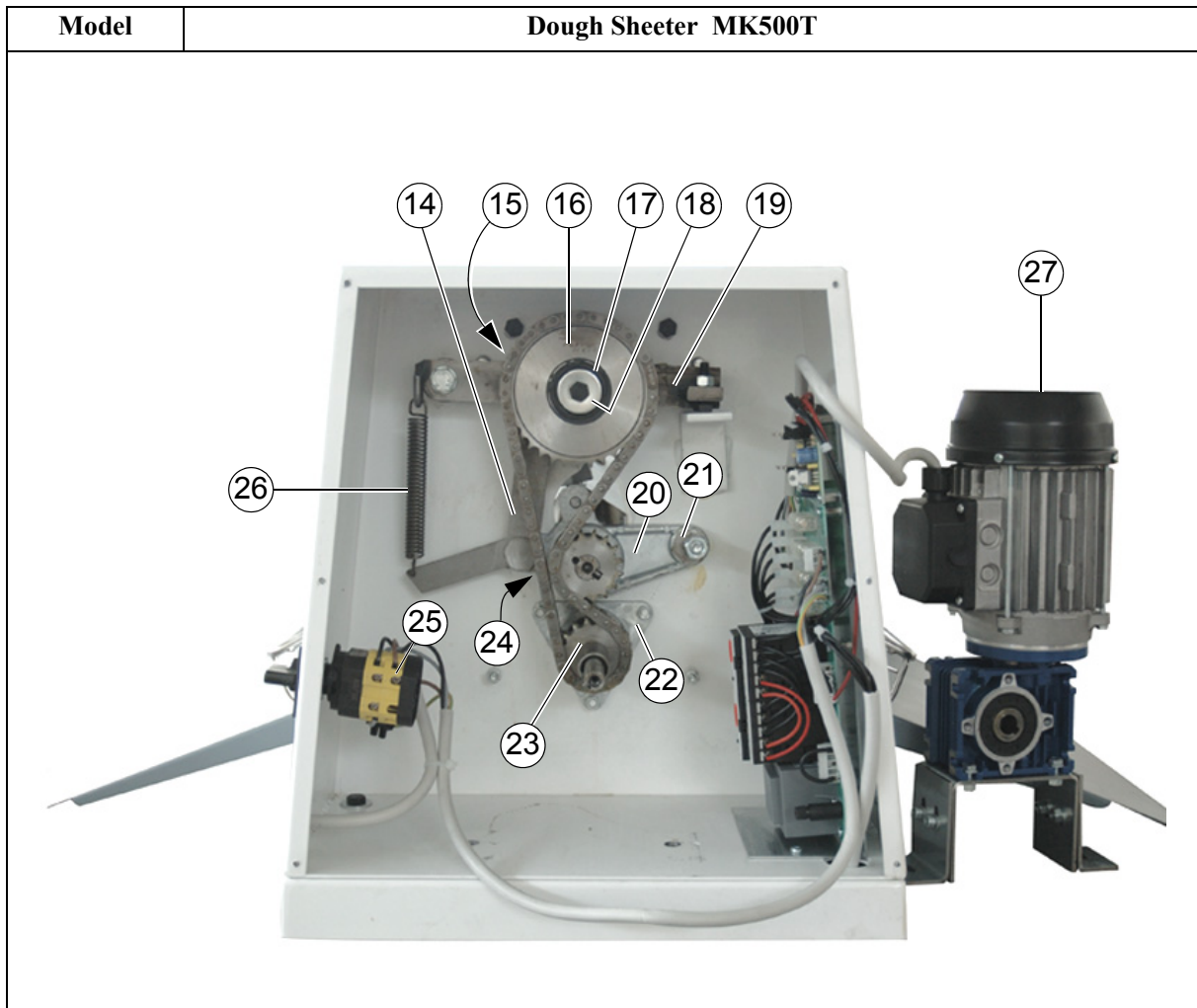
NO. REF.	PROTECTIVE GRILL ROD	CODE
1	PROTECTIVE GRILL ROD	
2	PROTECTIVE GRILL	
3	TOOTHED SECTOR	
4	LEVER END-OF-STROKE SECTOR	
5	LEVER STROKE STOP	
6	HANDLE	
7	LEVER FOR HANDLE	
8	FLOUR TRAY	

# SPARE PARTS



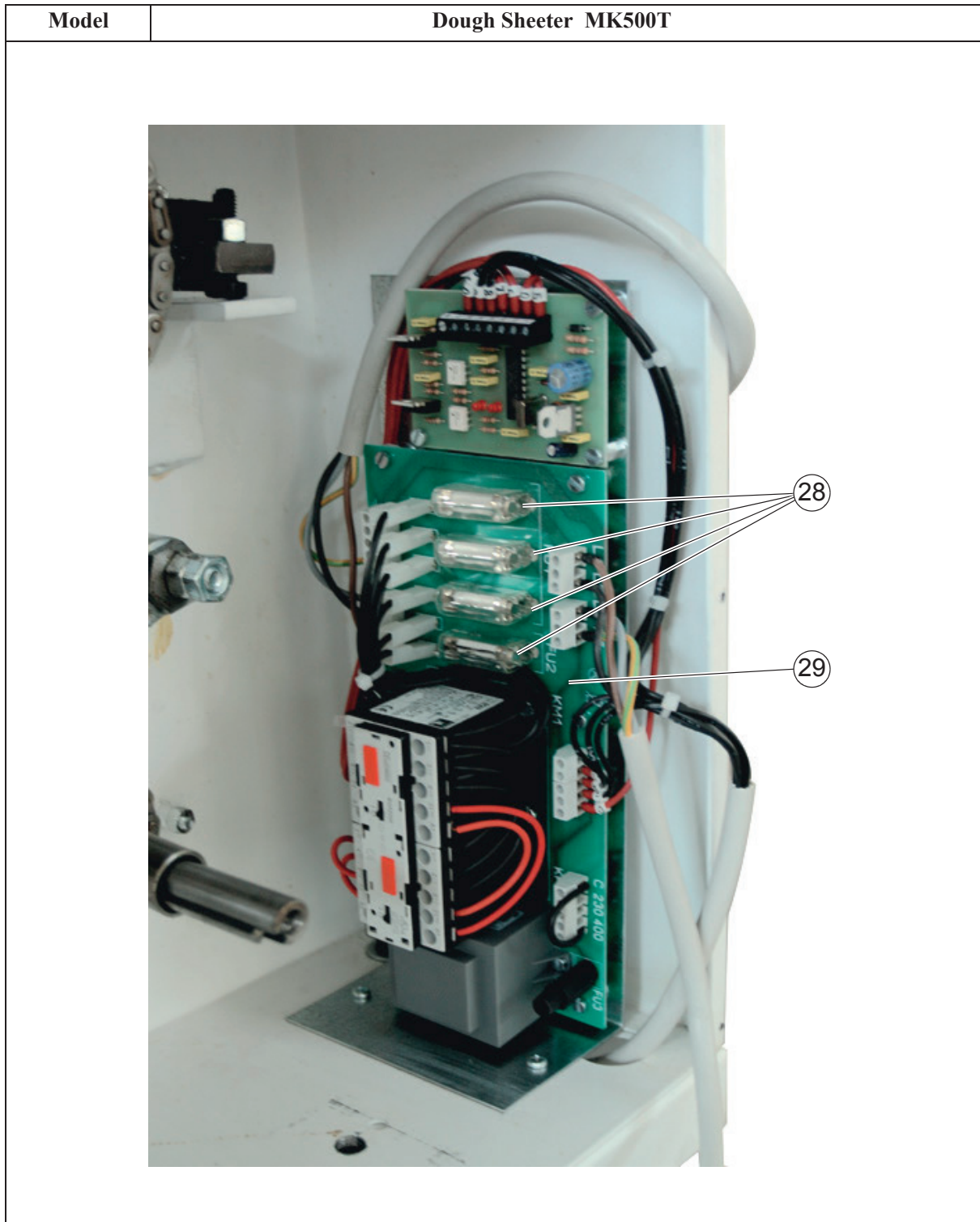
NO. REF.	DESCRIPTION	CODE
9	MICROSWITCH FOR GUARD CLOSURE	
10	RIGHT CONNECTING ROD	
11	FLANGE	
12	BUSHING	
13	FEED TABLE	

# SPARE PARTS



NO. REF.	DESCRIPTION	CODE
14	CONNECTING ROD SHIFT DEVICE	
15	LIFTING SHAFT	
16	CHAIN STRETCHER CROWN	
17	CIRCLIP	
18	BEARING 6005 2RS	
19	TIE ROD FOR CHAIN	
20	LEFT CONNECTING ROD	
21	ECCENTRIC BUSHING	
22	FLANGE	
23	PINION Z=16 3/8"	
24	CHAIN 3/8 DOUBLE	
25	MAIN SWITCH	
26	SPRING	
27	MOTOR+REDUCTION UNIT	

# SPARE PARTS



NO. REF.	DESCRIPTION	CODE
28	FUSES	
29	ELECTRIC BOARD	