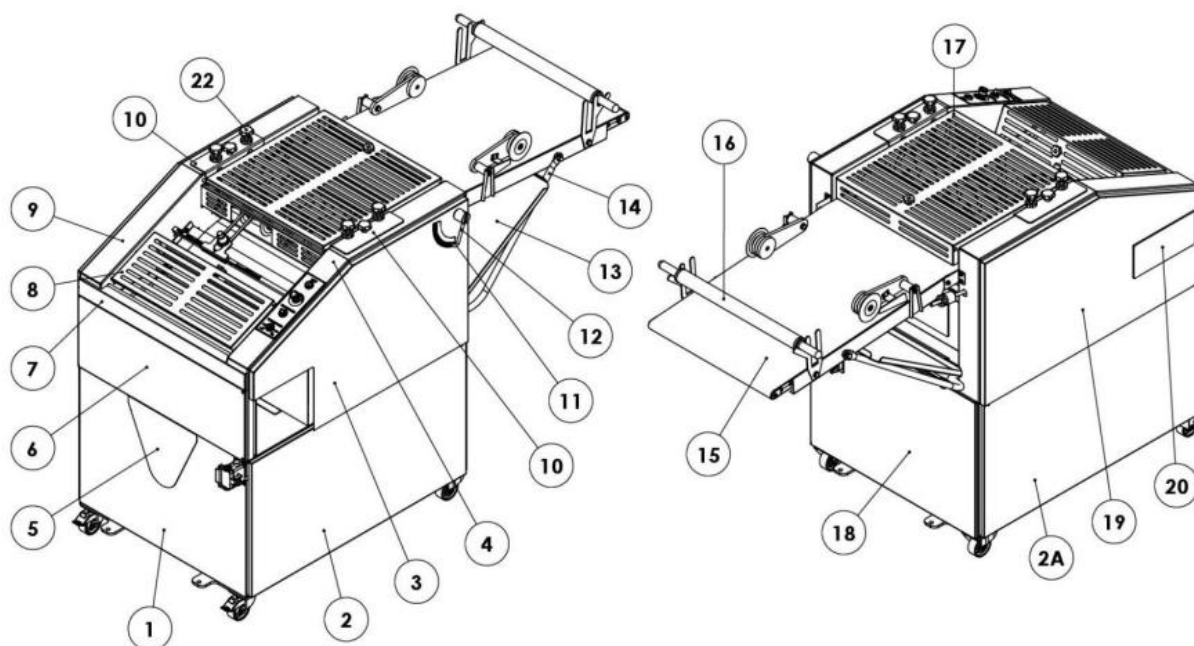


SPARE PARTS

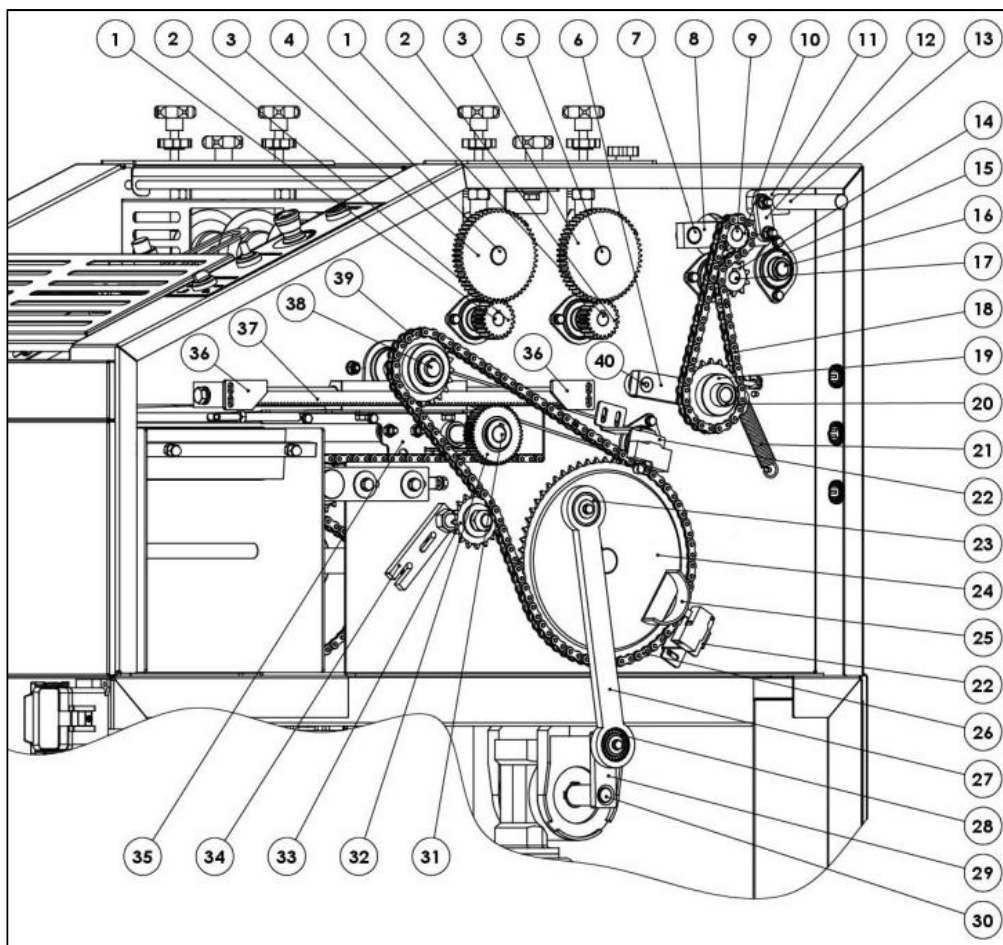
10.0 SPARE PARTS



| N° | CODE | DESCRIPTION |
|----|-------------|---|
| 1 | ZLBG501080 | BASE |
| 2 | ZLPG201183 | LOWER COVER OF THE BASE (LF-SIDE) |
| 2A | ZLPG201183 | LOWER COVER OF THE BASE (RG-SIDE) |
| 3 | ZLPG201185 | LEFT TOP PANEL |
| 4 | ZLG201180N | LEFT SIDE |
| 5 | ZLCG001998 | REAR COVER OF THE BASE |
| 6 | ZLPG501182 | LOWER REAR PANEL |
| 7 | ZLPG501181 | LOWER COVERING PANEL (if the output table is fitted, this component is not present) |
| 8 | ZLPG501996 | REAR GRID |
| 9 | ZLFG201179N | RIGHT SIDE |
| 10 | ZLLG001152I | CUTTER PRESSOR |
| 11 | ZLSF001112 | HANDLE SECTOR |
| 12 | ZFQF001115 | HANDLE |
| 13 | ZLAG005999 | WASTE TRAY OF ENTRY FLOOR |
| 14 | ZLAG501000 | LEG |
| 15 | VEDI PAG 33 | ENTRY FLOOR |
| 16 | ZTAS601101 | ROLLING PIN |
| 17 | ZLPG501997 | FRONT GRID |
| 18 | ZLPG501176 | ELECTRICAL SYSTEM COVER |
| 19 | ZLPG201184 | RIGHT TOP PANEL |
| 20 | ZGCP2334 | POLYCARBONATE COVER OF RIGHT PANEL |

SPARE PARTS

10.1 LEFT-HAND SPARE PARTS



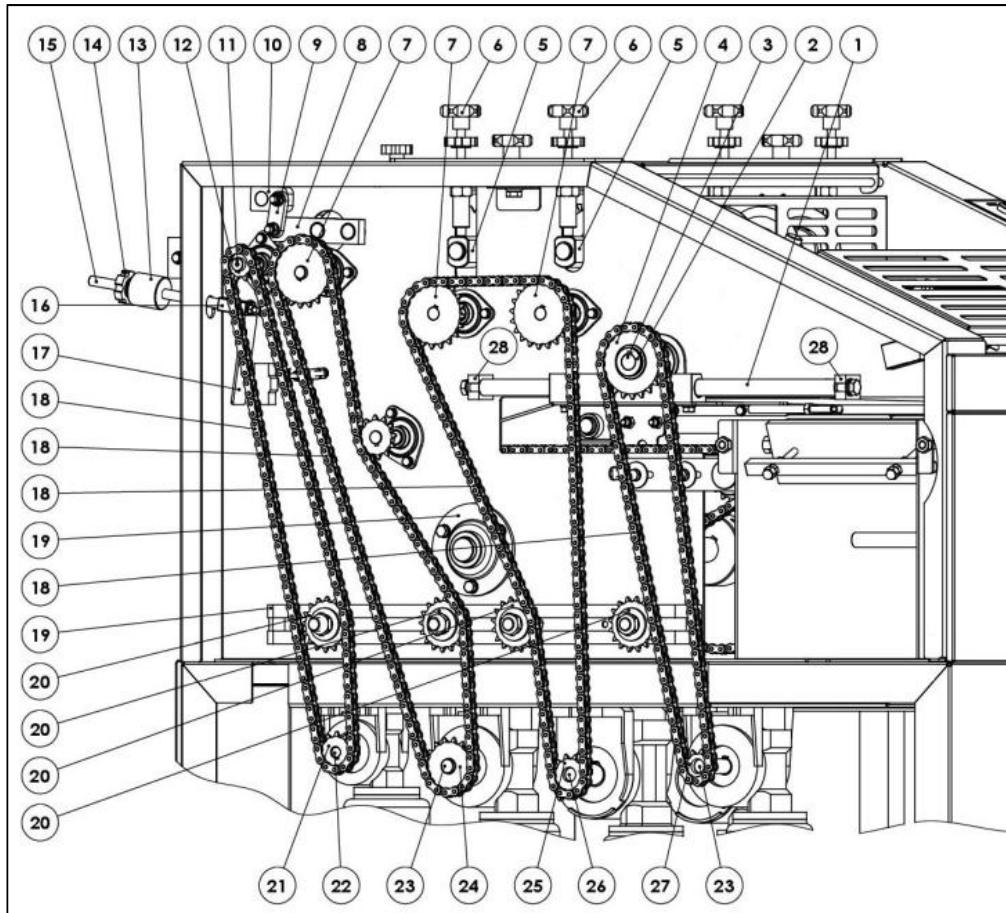
| N° | CODE | DESCRIPTION |
|----|--------------------------------|--|
| 1 | ZTCG501146 | RUBBERIZED COUNTERMOULD ROLLER |
| 2 | ZTPG005173 | TOOTHED WHEEL |
| 3 | ZTRG501111 | CUTTER MOTOR GEAR |
| 4 | ZTAG501057 | DISC CUTTER SHAFT |
| 5 | DEPENDING ON THE PURCHASED ONE | CUTTER |
| 6 | ZFPG001072 | CALIBRATORS IDLER PULLEY SUPPORT |
| 7 | ZTPG01081 | CONNECTING ROD PIN |
| 8 | ZFBG001070 | UPPER CALIBRATOR CYLINDER CONNECTING ROD |
| 9 | ZTCG501065 | UPPER CALIBRATOR CYLINDER |
| 10 | ZTPG002161 | ELECTRICAL SYSTEM COVER |
| 11 | ZFPF001050 | UPPER FRAME CONNECTING ROD |
| 12 | ZLBG001021 | UPPER CALIBRATOR CYLINDER CONNECTING ROD |
| 13 | ZTBG501007 | COUPLING BAR |
| 14 | ZTPG002161 | DRIVING PINION |
| 15 | ZSBPFL01100 | SUPPORT SBPFL203 |

SPARE PARTS

| | | |
|----|-------------|---|
| 16 | ZTCG501140 | ENTRY FLOOR ROLLER |
| 17 | ZTCG501011 | LOWER CALIBRATOR CYLINDER |
| 18 | ZGC5605 | CALIBRATORS CYLINDERS CHAIN |
| 19 | ZTPG002162 | IDLER PULLEY PINION |
| 20 | ZTBS001085 | MOTOR BRACKET BUSHING |
| 21 | ZTMS002114 | MOTOR SPRING |
| 22 | ZLSG001044 | MICRO SUPPORT |
| 23 | ZCR500093 | BEARING |
| 24 | ZTPG002501 | PINION OF TROLLEY HANDLE CONNECTING ROD |
| 25 | ZLAG001052 | CAM FOR MICRO TROLLEY |
| 26 | ZGC51240 | TROLLEY CHAIN |
| 27 | ZTAG001119 | TROLLEY CONNECTING ROD |
| 28 | ZCR500094 | ORIENTABLE BALL BEARING |
| 29 | ZFPG01056 | HANDLE PLATE FOR TROLLEY MOTION |
| 30 | ZTAG001126 | SHAFT OF TROLLEY HANDLE CONNECTING ROD |
| 31 | ZTCG001144 | RUBBER ROLLER FOR TROLLEY CYLINDER |
| 32 | ZTRG005045 | TOOTHED WHEEL |
| 33 | ZTPA002199 | CHAIN TENSIONER PINION |
| 34 | ZLGF001106 | IDLER PULLEY FOR CHAIN |
| 35 | ZTVCARRELLO | TROLLEY |
| 36 | ZFAG001138 | RACK PLATE |
| 37 | ZFAG0011CR | RACK |
| 38 | ZTCG501142 | RUBBER ROLLER SLIDE |
| 39 | ZGC51240 | TROLLEY CHAIN |
| 40 | ZPTG50A437 | PINION OF IDLER PULLEY |

SPARE PARTS

10.2 RIGHT-HAND SPARE PARTS



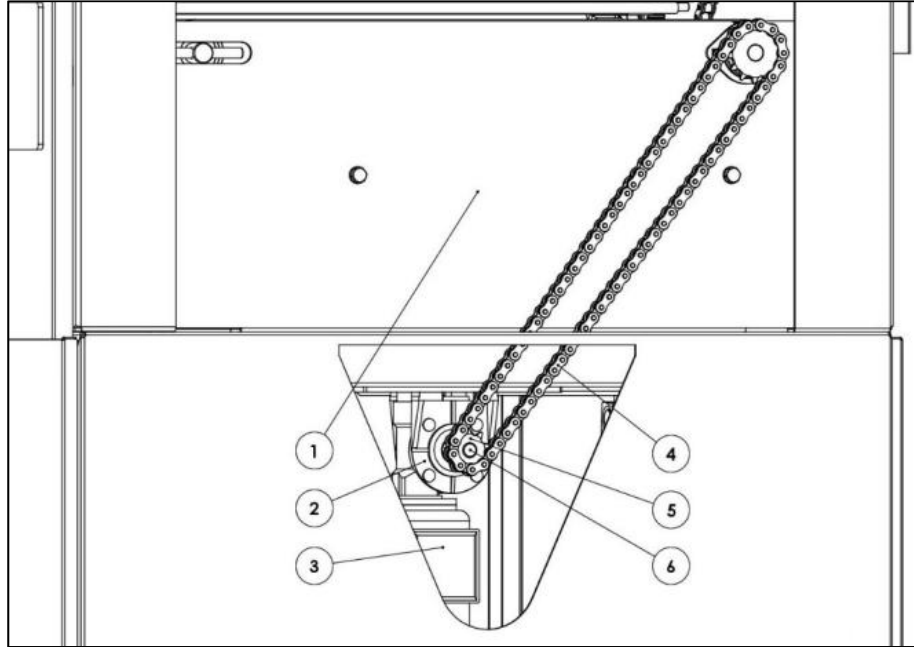
| N° | CODE | DESCRIPTION |
|----|--|--|
| 1 | ZTBG001063 | TROLLEY SLIDING BARS |
| 2 | ZTRS001020 | NUT |
| 3 | ZTCG501142 | RAMP RUBBERIZED ROLLER |
| 4 | ZTPG002000 (GC200 50Hz e 60 Hz) ZTPS002094A (GC400 50Hz e 60Hz) | PINION |
| 5 | ZGBS50000 | BUSHING FOR MOLDS |
| 6 | ZTCG201XXX | CUTTERS PRESSOR |
| 7 | ZTPG005167 | PINION |
| 8 | ZFBG001070 | UPPER CALIBRATOR CYLINDER CONNECTING ROD |
| 9 | ZLBG001021 | UPPER CALIBRATOR CYLINDER CONNECTING ROD |
| 10 | ZFPF001050 | UPPER FRAME CONNECTING ROD |
| 11 | ZTCG501140 | ENTRY TABLE ROLLER |
| 12 | ZTPG002165 | PINION |
| 13 | ZTCG201039 | COUNTERWEIGHT FEELER |
| 14 | ZTCG201XX0 | COUNTERWEIGHT PROBE LOCK RING |
| 15 | ZTBG001066 | FEELER BAR |

SPARE PARTS

| | | |
|-----------|--|--|
| 16 | ZFQG001041 | PANEL FOR FEELER MICRO LEVER |
| 17 | ZLAG001043 | LINE FOR FEELER |
| 18 | ZGC51353 | INPUT FLOOR CHAIN |
| 19 | ZSBPF01102 | TROLLEY BEARING |
| 20 | ZTPA002199 | CHAIN TENSIONER PINION |
| 21 | ZTPG005166 (GC200 50 Hz) ZTPG002165-B (GC200 60 Hz) ZTPG005166 (GC400 50 Hz) ZTPG002165-B (GC400 60 Hz) | PINION |
| 22 | ZG30001 | GEARBOX SHAFT |
| 23 | ZTAG001000 | SHAFT FOR SLIDE REDUCER AND CALIBRATOR |
| 24 | ZTPG005167-A (GC200 50 Hz) ZTPG002169-A (GC200 60 Hz) ZGCP8001 (GC400 50 Hz) ZTPG005167-A (GC400 60 Hz) | PINION |
| 25 | ZTPG005168 (GC200 50 Hz) ZTPG002165-A (GC200 60 Hz) ZGCP8002 (GC400 50 Hz) ZTPG001125-B (GC400 60 Hz) | PINION |
| 26 | ZTAG001069 | SHAFT FOR CUTTER GEARBOX |
| 27 | ZTPG002165-A (GC200 50 Hz) ZGCP8000 (GC200 60 Hz) ZTPG002165-A (GC400 50 Hz) ZGCP8000 (GC400 60 Hz) | PINION |
| 28 | ZLRG001015 | BAR SUPPORT |

SPARE PARTS

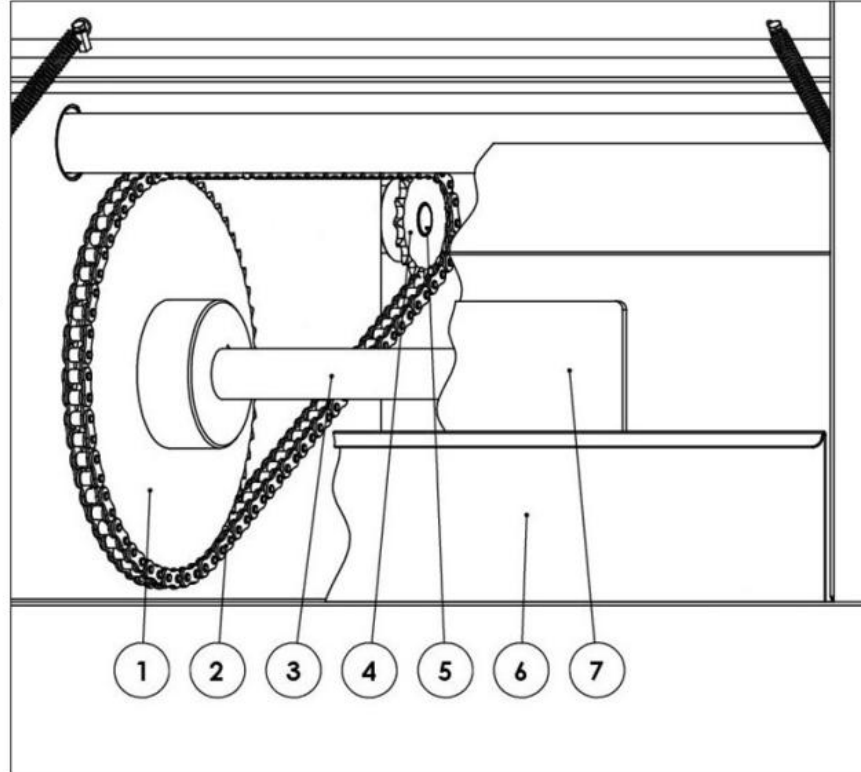
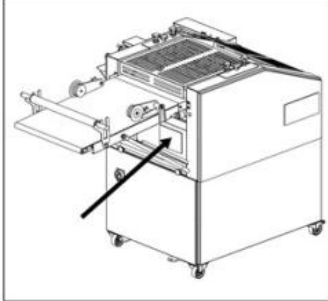
10.3 REAR SPARE PARTS



| N° | CODE | DESCRIPTION |
|----|-----------------|---------------------------|
| 1 | LOOK AT PAGE 38 | DIRECTIONAL |
| 2 | ZGC500104 | GEARBOX |
| 3 | ZGC500097 | MOTOR |
| 4 | ZGC21090 | CHAIN |
| 5 | ZTPG002165-B | PINION |
| 6 | ZG30001 | DIRECTIONAL GEARBOX SHAFT |

SPARE PARTS

10.4 INTERNAL SPARE PARTS

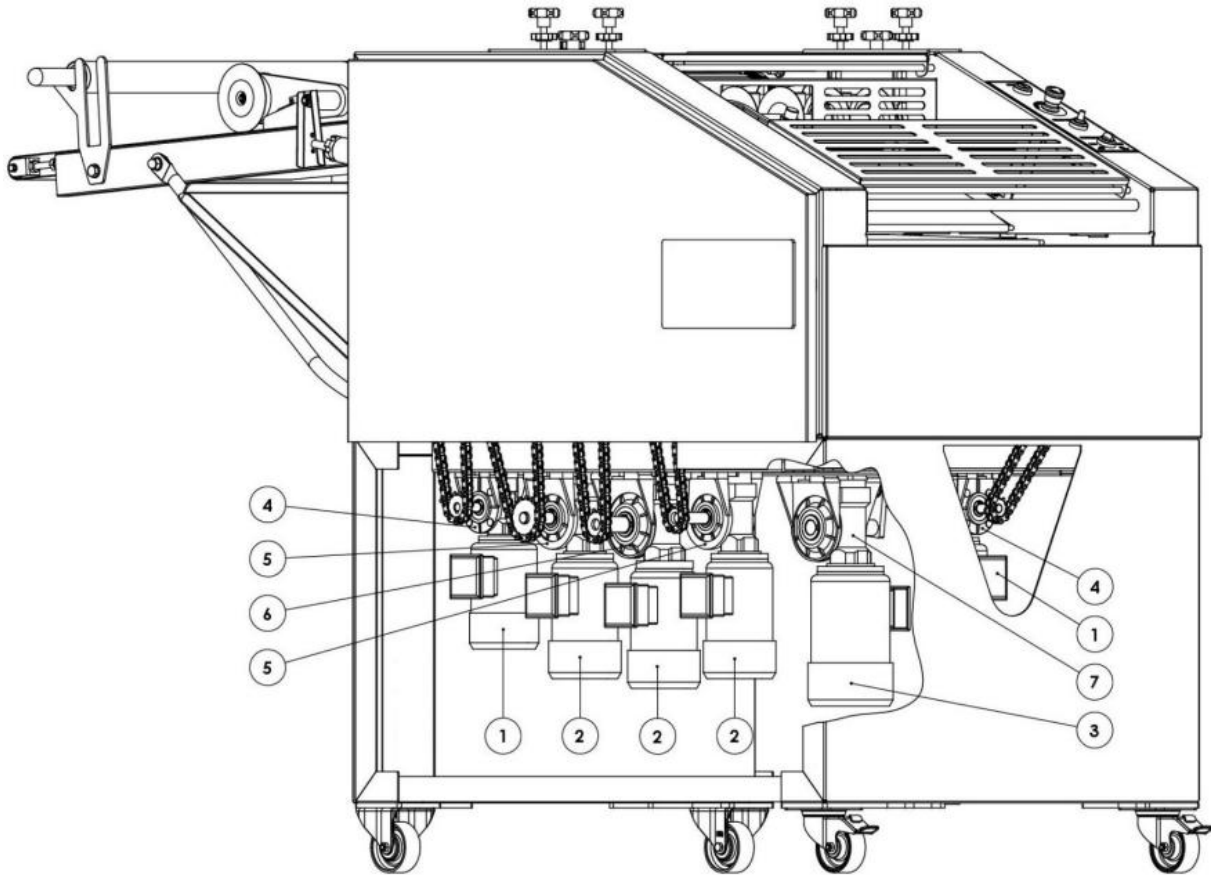


| N° | CODE | DESCRIPTION |
|----|--------------|--------------------------|
| 1 | ZTPG002500 | PINION |
| 2 | ZGC51203 | CHAIN |
| 3 | ZTBG501009 | GEARS BAR |
| 4 | ZTPG005167-B | PINION |
| 5 | ZLTG001030A | CHAIN DRAFT IDLER PULLEY |
| 6 | ZLPG501111 | WASTE COLLECTION BOX |
| 7 | ZGCP2333 | POLYCARBONATE COVER |

On the opposite side spare parts numbered **1,2,4,5** are the same.

SPARE PARTS

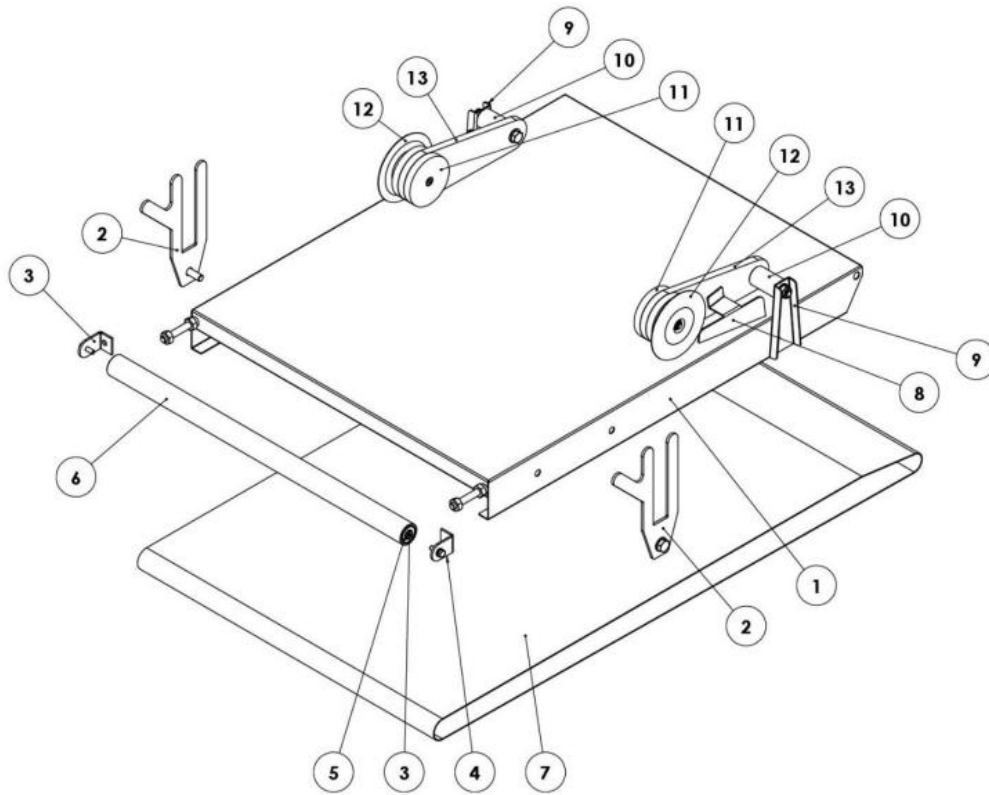
10.5 MOTORS AND GEARBOXES SPARE PARTS



| N° | CODE | DESCRIPTION |
|----|-----------|---------------------------|
| 1 | ZGC500097 | ENTRY/DIRECTIONAL MOTOR |
| 2 | ZGC500100 | RAMP/CUTTER MOTOR |
| 3 | ZGC500103 | TROLLEY MOTOR |
| 4 | ZGC500104 | ENTRY/DIRECTIONAL GEARBOX |
| 5 | ZGC500107 | RAMP/CALIBRATOR GEARBOX |
| 6 | ZGC500109 | CUTTER GEARBOX |
| 7 | ZGC500108 | TROLLEY GEARBOX |

SPARE PARTS

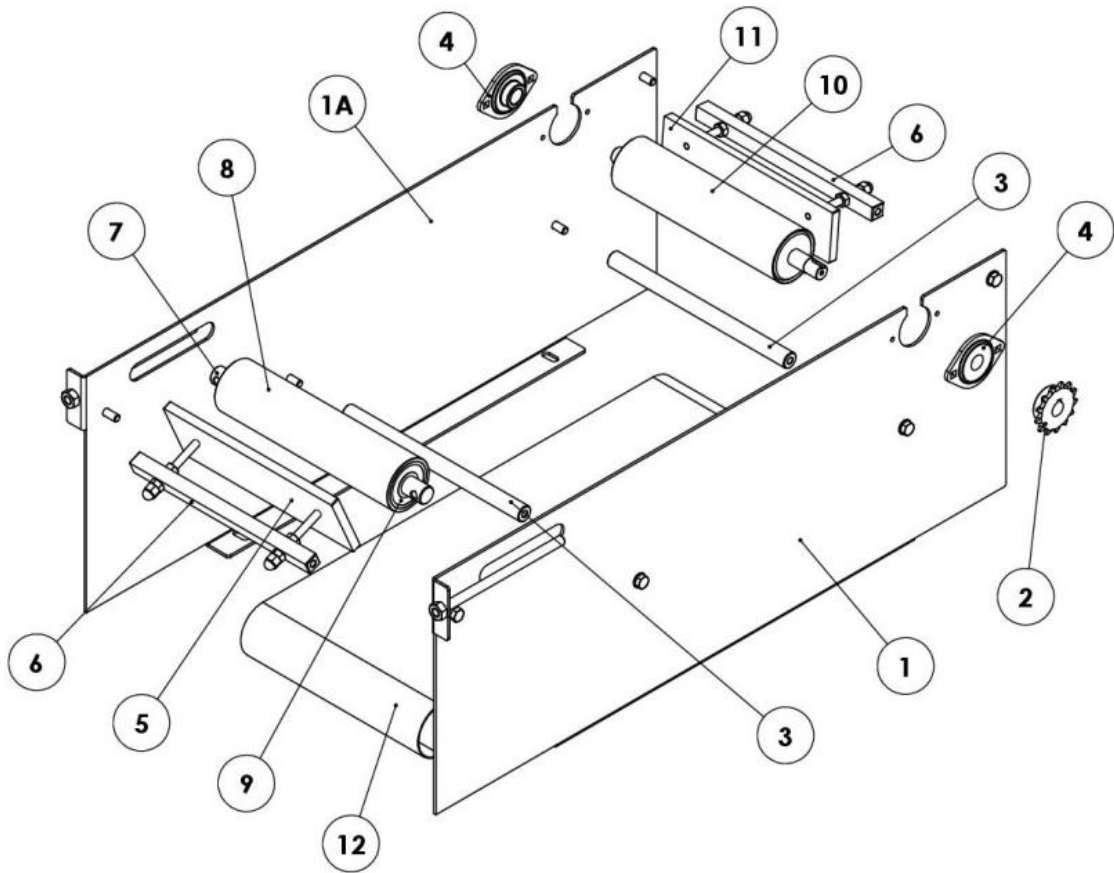
10.6 ENTRY TABLE SPARE PARTS



| N° | CODE | DESCRIPTION |
|----|-------------|------------------------------|
| 1 | ZLPG501042 | INPUT TABLE |
| 2 | ZLSS001002 | ROLLING PINS SUPPORT |
| 3 | ZTDG501008 | ROLLER INNER PART |
| 4 | ZSTLA01000 | TIE ROD SUPPORT |
| 5 | ZTCS602131 | BEARING |
| 6 | ZTRG501078 | IDLER ROLLER |
| 7 | TTS602155 | CONVEYOR BELT |
| 8 | ZGC200010 | CONVEYOR |
| 9 | ZLSG001116 | DOUGH TRIMMING DISK SUPPORTS |
| 10 | ZTAG001SRP | SPACER |
| 11 | ZTAG001RFTS | WEIGHT FOR TRIMMING DISC |
| 12 | ZMAT004 | DOUGH CUTTING DISC |
| 13 | ZTAG001RFT | COUNTERWEIGHT PLATE |

SPARE PARTS

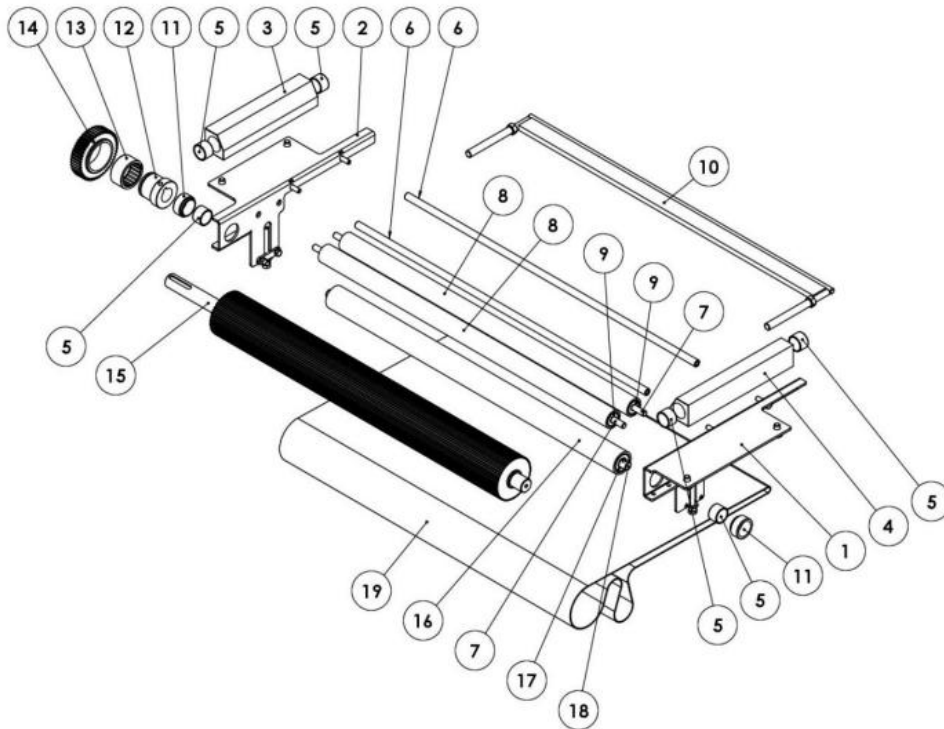
10.7 DIRECTIONAL SPARE PARTS



| N° | CODE | DESCRIPTION |
|----|-------------|-----------------------------------|
| 1 | ZLFG501156 | SIDE (LF PART) |
| 1A | ZLFG501156 | SIDE (RH PART) |
| 2 | ZTPG002169 | PINION |
| 3 | ZTTG001061 | TIE ROD |
| 4 | ZSBPFL01100 | SUPPORT |
| 5 | ZLAG001109 | RIGHT SIDE TRIANGLES STRAIGHTENER |
| 6 | ZFTG001064 | TIE ROD |
| 7 | ZTTG001067 | IDLER ROLLER TIE ROD |
| 8 | ZTRG201101 | IDLER ROLLER |
| 9 | ZCR500092 | BEARING |
| 10 | ZTCG001148 | DRIVE ROLLER |
| 11 | ZLAG001106 | LEFT SIDE TRIANGLES STRAIGHTENER |
| 12 | ZGC5NP901 | CONVEYOR BELT |

SPARE PARTS

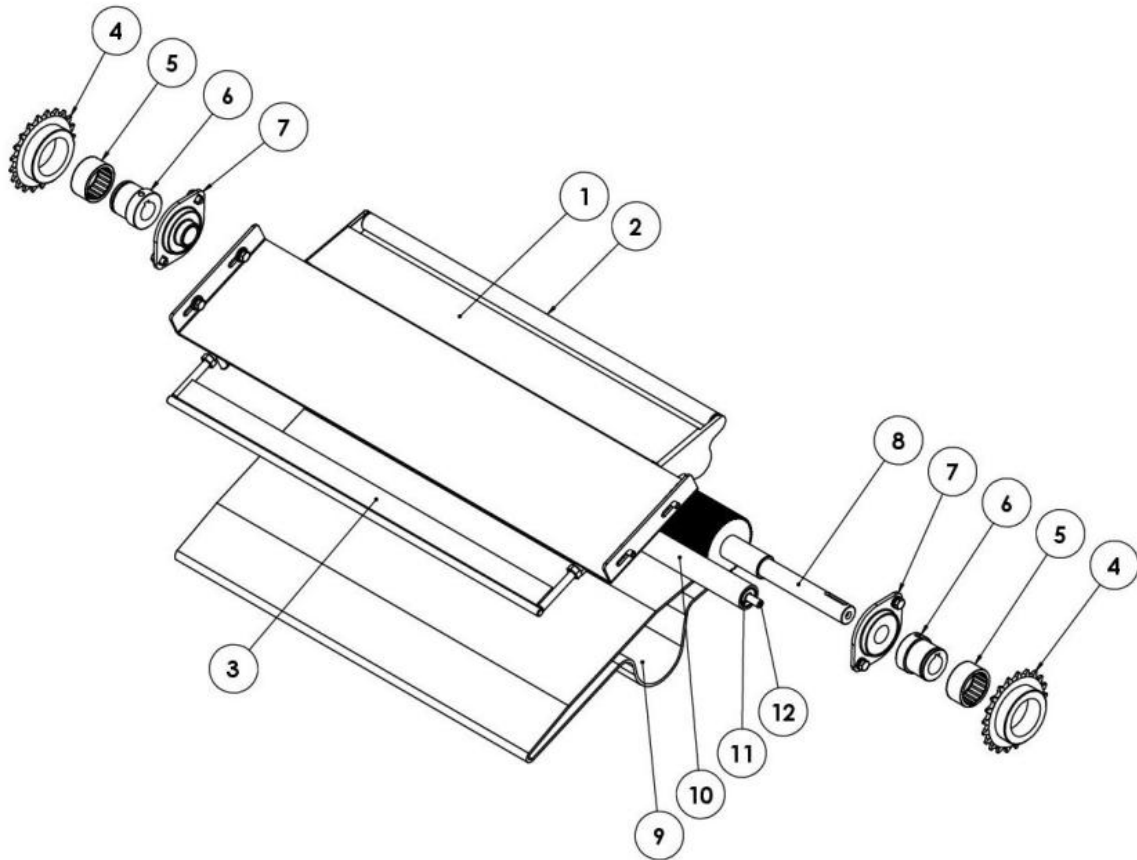
10.8 TROLLEY SPARE PARTS



| N° | CODE | DESCRIPTION |
|----|-------------|-------------------|
| 1 | ZFAG001133 | RH SIDE MEMBER |
| 2 | ZFAG001134 | LF SIDE MEMBER |
| 3 | ZFGG001149 | LEFT HAND GUIDE |
| 4 | ZFGG001150 | RIGHT HAND GUIDE |
| 5 | ZTBF005001 | BUSHING |
| 6 | ZTTG501059 | TIE ROD |
| 7 | ZTPG201018A | IDLER ROLLERS PIN |
| 8 | ZTRG501004 | IDLER ROLLER |
| 9 | ZCR500091 | BEARING |
| 10 | ZLAG501048A | FLAP |
| 11 | ZTBF001042A | BUSHING |
| 12 | ZTRS001020 | NUT FOR BUSHING |
| 13 | ZTPS002096 | COGWHEEL |
| 14 | ZTRG005045 | TOOTHED WHEEL |
| 15 | ZTCG001144 | RUBBERIZED ROLLER |
| 16 | ZTRG501079 | IDLER ROLLER |
| 17 | ZTCS602131 | BEARING |
| 18 | ZTTG501068 | TIE ROD |
| 19 | ZGC5NP902 | CONVEYOR BELT |

SPARE PARTS

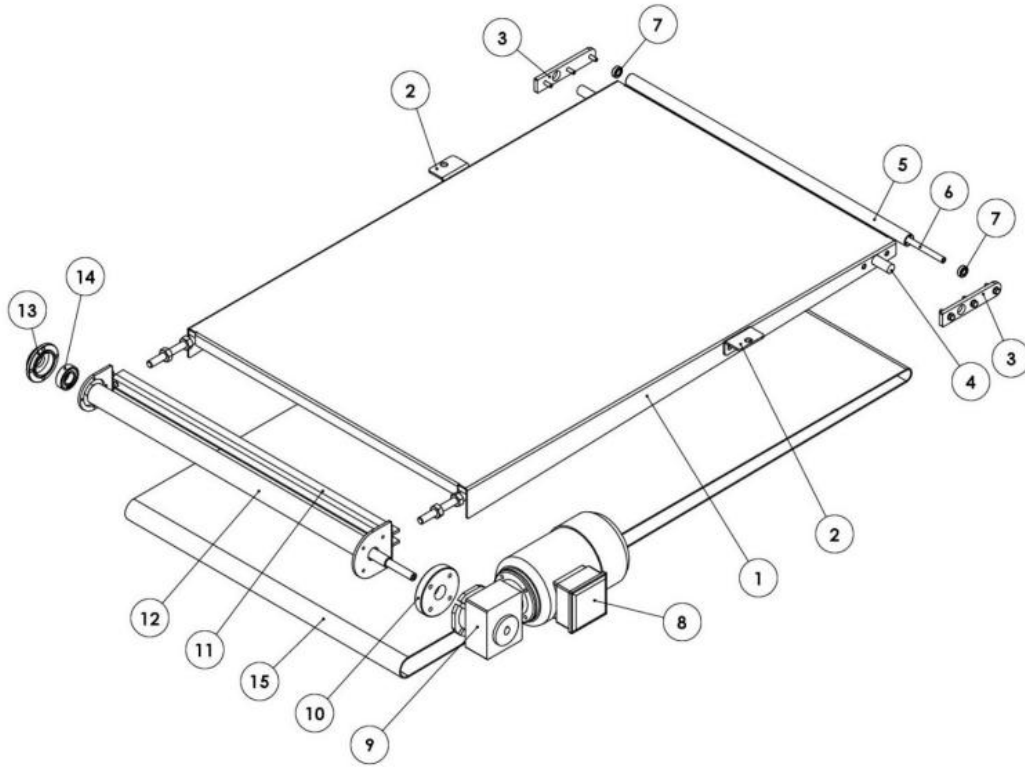
10.9 RAMP SPARE PARTS



| N° | CODE | DESCRIPTION |
|----|-------------|-------------------|
| 1 | ZLAG201124A | RAMP TABLE |
| 2 | ZTRG501003 | IDLER ROLLER |
| 3 | ZLAG501048 | FLAP |
| 4 | ZTPG002000 | PINION |
| 5 | ZTPS002096 | COGWHEEL |
| 6 | ZTRS0010200 | COGWHEEL NUT |
| 7 | ZSBPFL01101 | SUPPORT |
| 8 | ZTCG501142 | RUBBERIZED ROLLER |
| 9 | ZGC5NP904 | CONVEYOR BELT |
| 10 | ZTRG201004B | IDLER ROLLER |
| 11 | ZCR500091 | BEARING |
| 12 | ZTPG201018 | IDLER ROLLER PIN |

SPARE PARTS

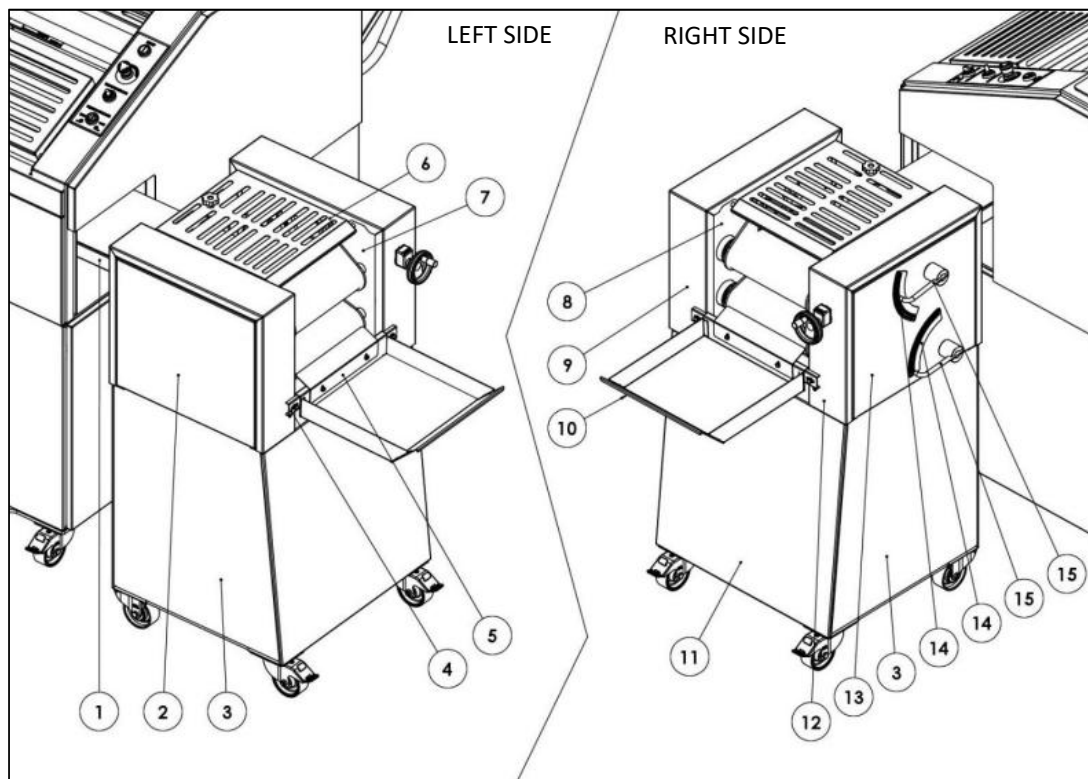
10.10 EXIT TABLE SPARE PARTS



| N° | CODE | DESCRIPTION |
|----|-------------|----------------------|
| 1 | ZPLG501995 | TABLE |
| 2 | ZPLG001788I | SUPPORT ANGLE |
| 3 | ZLPG501995A | IDLER ROLLER SUPPORT |
| 4 | ZTIG501999 | SUPPORT TABLE ROD |
| 5 | ZTPG5011BP | IDLER ROLLER |
| 6 | ZTPG5010BP | ROUND IDLER ROLLER |
| 7 | ZCR500090 | BEARING |
| 8 | ZGC500091 | MOTOR |
| 9 | ZGC500106 | GEARBOX |
| 10 | ZGC500096 | FLANGE |
| 11 | ZFSG001159 | SUPPORT BRACKET |
| 12 | ZTCG501058 | DRIVE ROLLER |
| 13 | ZTSS001060 | SUPPORT |
| 14 | ZTCS602132 | BEARING |
| 15 | ZGC5NP900 | CONVEYOR BELT |

SPARE PARTS

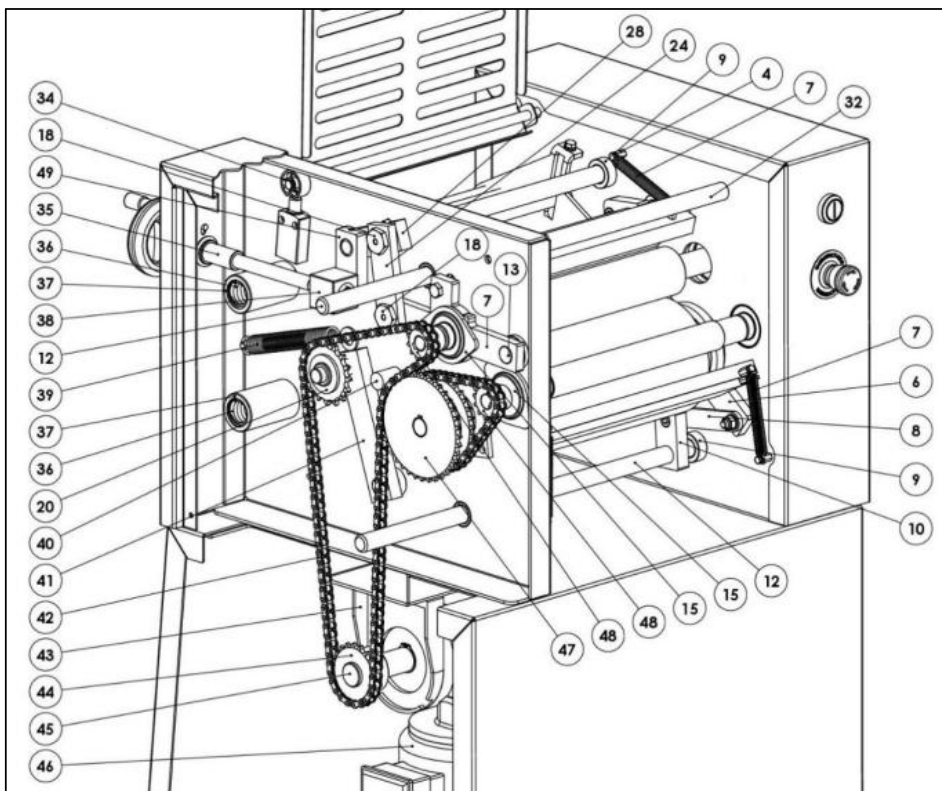
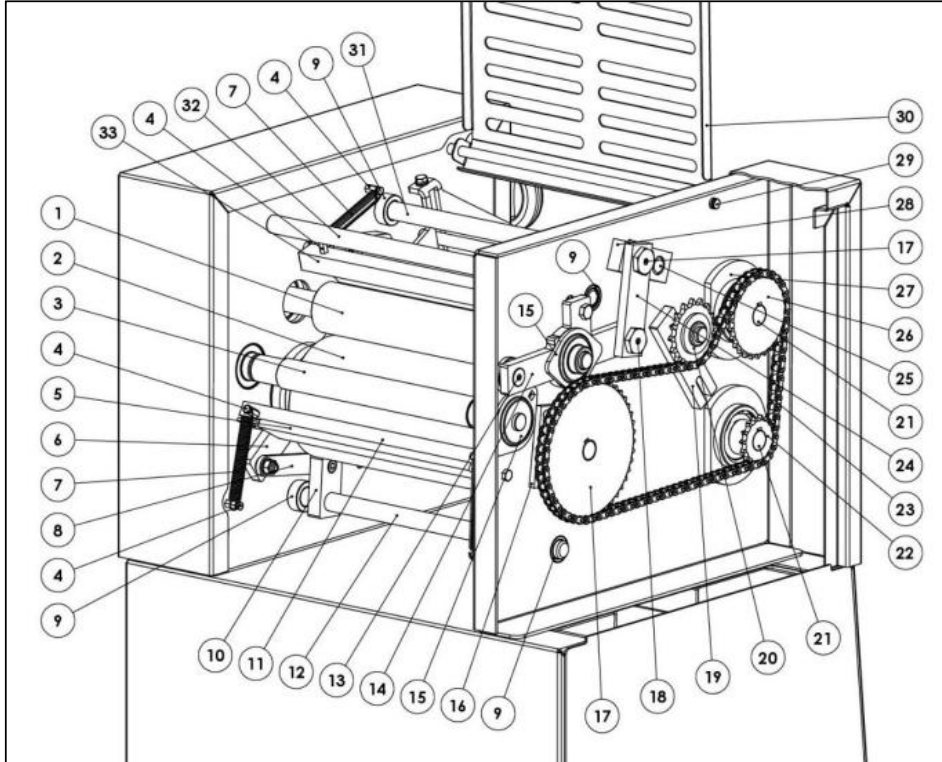
10.11 MOULDER SPARE PARTS



| N° | CODE | DESCRIPTION |
|----|--------------|---|
| 1 | ZLPA001031 | ENTRY TABLE |
| 2 | ZLCA001340 | RIGHT-HAND BUILT-IN PANEL |
| 3 | ZLPA001300 | BASE PANEL |
| 4 | ZFPT001006 | TRAY SUPPORT |
| 5 | ZLPA001888I | OUTPUT HOLE COVER |
| 6 | ZLLA01000 | PROTECTION GRID |
| 7 | ZLAA001033N | RIGHT SIDE |
| 8 | ZLAA001032N | LEFT SIDE |
| 9 | ZFPA005215SX | SUPPORT PROFILE OF INTERLOCKING FLANKS LF |
| 10 | ZT0209001I | PRODUCT COLLECTING TRAY |
| 11 | ZLBA001333 | BASE |
| 12 | ZFPA005212DX | SUPPORT PROFILE OF INTERLOCKING FLANKS RH |
| 13 | ZLCA01390 | LEFT-HAND BUILT-IN PANEL |
| 14 | ZLSF001112 | HANDLES SECTOR |
| 15 | ZFQF001115 | HANDLE SET |

SPARE PARTS

10.12 INTERNAL MOULDER SPARE PARTS



MADE IN ITALY

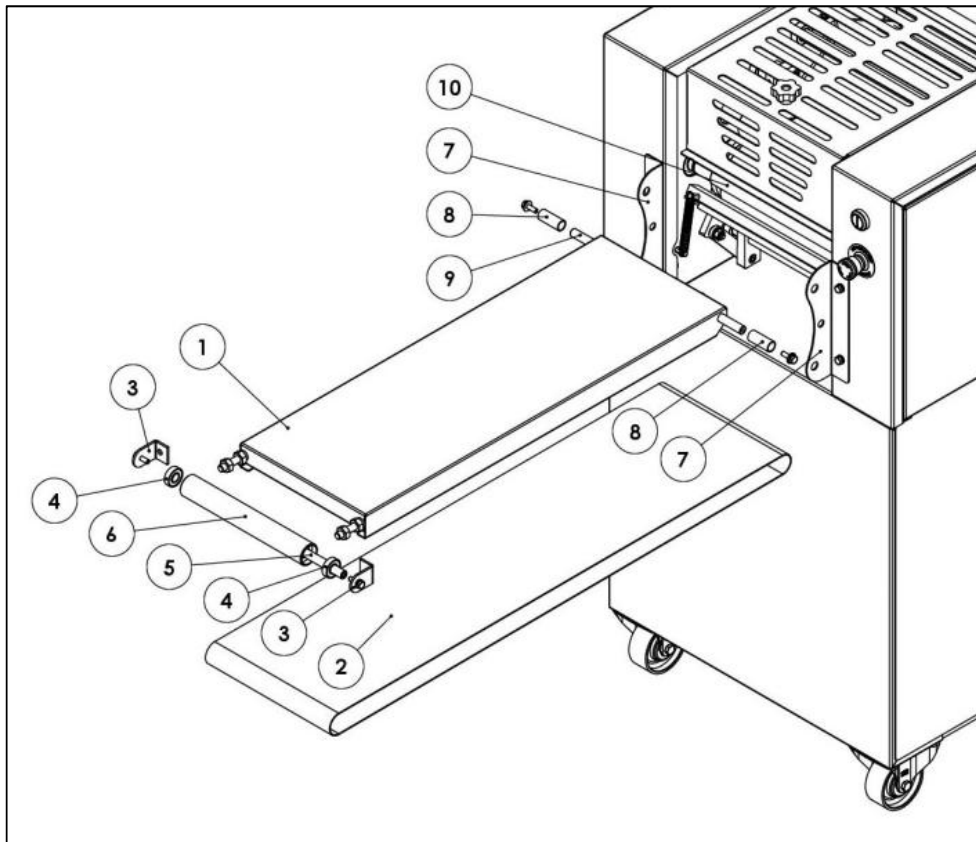
SPARE PARTS

| N° | CODE | DESCRIPTION |
|----|-------------|------------------------------|
| 1 | ZTCA001005 | UPPER CALIBRATOR CYLINDER |
| 2 | ZTCA001000 | LOWER CALIBRATOR CYLINDER |
| 3 | ZTCF501073 | INPUT BELT CYLINDER |
| 4 | ZTPF001041 | TIE ROD PIN |
| 5 | ZFRA001022 | LOWER SCRAPER |
| 6 | ZFRF001080 | LOWER FRAME LEVER |
| 7 | ZTMS002165 | DRIVE SPRING OF SCRAPERS |
| 8 | ZFBF001046F | LOWER FRAME CONNECTING ROD |
| 9 | ZTBF001042 | BUSHING |
| 10 | ZFPF001051 | LOWER FRAME CONNECTING ROD |
| 11 | ZLPRA001013 | LOWER SCRAPER SUPPORT |
| 12 | ZTRA001006 | ROD FOR FRAME |
| 13 | ZTPF001052 | PIN FOR CONNECTING ROD |
| 14 | ZLSF001084A | UPPER CYLINDER LEVER |
| 15 | ZSBPFL01100 | SUPPORT SBPFL203 |
| 16 | ZTSS001080 | LOWER CYLINDER SUPPORT |
| 17 | ZTAA001049 | PINION |
| 18 | ZTVF001048 | CONNECTING ROD SUPPORT SCREW |
| 19 | ZLGF001106 | IDLER PULLEY FOR CHAIN |
| 20 | ZTPA002199 | PINION |
| 21 | ZTPF001049N | FRAME BELT DRIVE PIN |
| 22 | ZTPA001040 | PINION |
| 23 | ZTCA001045 | CHAIN |
| 24 | ZFBA001003 | UPPER CYLINDER ROD |
| 25 | ZTTA001008 | ROUND FOR CYLINDER ROD |

| N° | CODE | DESCRIPTION |
|----|-------------|-------------------------------|
| 26 | ZTPA001039 | PINION |
| 27 | ZTSS001069 | DRIVE CYLINDER SUPPORT |
| 28 | ZFBF001045 | UPPER CYLINDER CONNECTING ROD |
| 29 | ZTDGA01000 | ROUND FOR GRID |
| 30 | ZLLA01000 | PROTECTION GRID |
| 31 | ZTTA001008 | ROUND FOR UPPER CYLINDER |
| 32 | ZTDA001010 | FLAMK SPACER |
| 33 | ZLRA001013P | UPPER INTEGRAL SCRAPER |
| 34 | ZFCS001040A | MICRO CAM |
| 35 | ZTBF001005 | STEERING BAR |
| 36 | ZTMS002110 | SPRING |
| 37 | ZTSS001073 | TAILSTOCK SUPPORT |
| 38 | ZTNF001011 | THREADED NUT |
| 39 | ZTMS002114B | SPRING |
| 40 | ZTCA5000 | ROUND IDLER PULLEY STOP |
| 41 | ZFPA001028 | CHAIN TENSIONER PLATE |
| 42 | ZTCA001046 | CYLINDER DRIVE CHAIN |
| 43 | ZGC500110 | GEARBOX |
| 44 | ZTPA001044 | PINION |
| 45 | ZTAA001024 | GEAR SHAFT |
| 46 | ZGC500111 | MOTOR |
| 47 | ZTPA001042 | PINION |
| 48 | ZTPA001043 | PINION |
| 49 | ZFBF001043 | STEERING WHEEL NUT |

SPARE PARTS

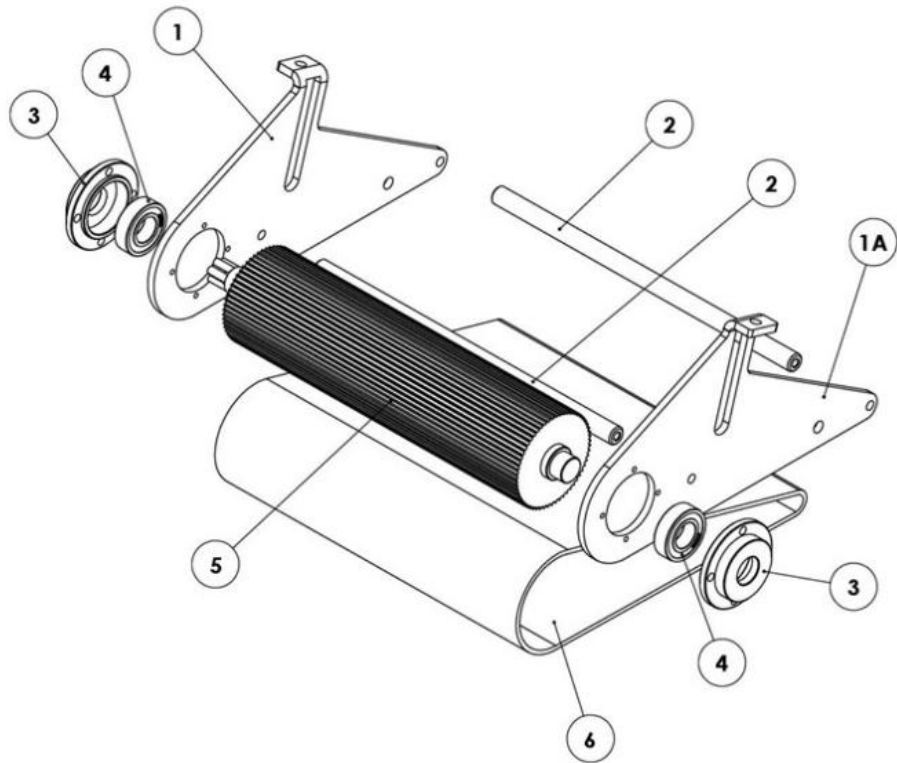
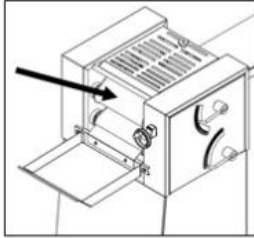
10.13 SPARE PARTS FOR MOULDER INPUT FLOOR



| N° | CODE | DESCRIPTION |
|----|------------|----------------------------|
| 1 | ZLPA001031 | ENTRY TABLE |
| 2 | ZNEA01332 | ENTRY BELT |
| 3 | ZSTLA01000 | CONV. BELT TIE ROD SUPPORT |
| 4 | ZTCS602131 | BEARING |
| 5 | ZTAA001017 | ROUND IDLER ROLLER |
| 6 | ZTRA001020 | IDLER ROLLER |
| 7 | ZLPA001000 | WRAPPING FLOORS SUPPORT |
| 8 | ZTSA001033 | SPACER |
| 9 | ZTTA001026 | SPACER |
| 10 | ZTCF501073 | INPUT CYLINDER CONV. BELT |

SPARE PARTS

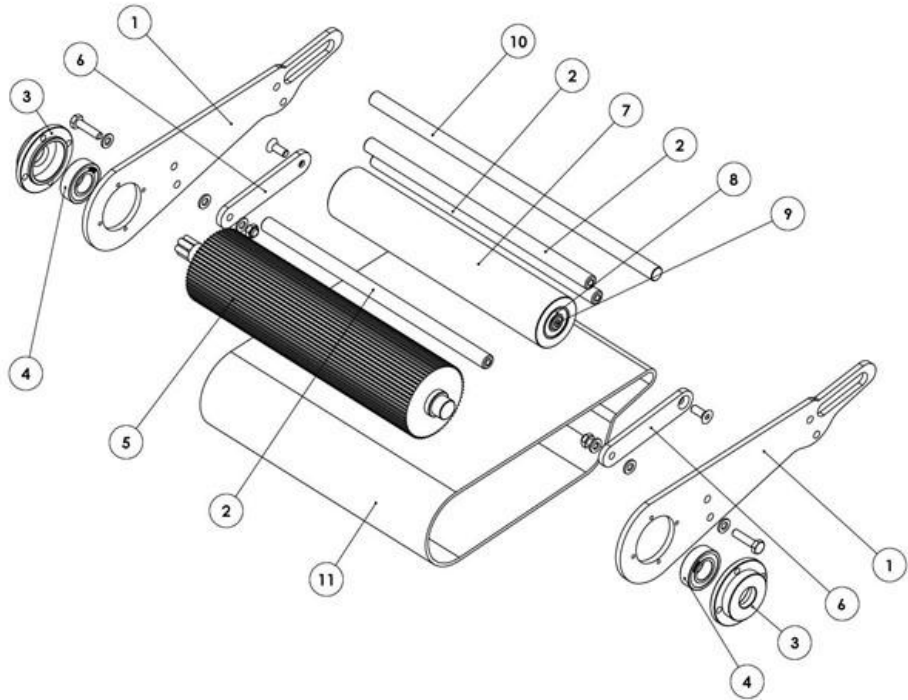
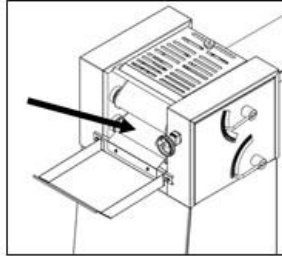
10.14 SPARE PARTS FOR UPPER MOULDER FRAME



| N° | CODICE | DESCRIZIONE |
|----|-------------|-------------------------------|
| 1 | ZLTF001082 | UPPER BELT FRAME SUPPORT (LF) |
| 1A | ZLTF001082 | UPPER BELT FRAME SUPPORT (RH) |
| 2 | ZTDA001015 | FRAMES SPACER |
| 3 | ZTSS001060 | SUPPORT |
| 4 | ZTCS602132 | BEARING |
| 5 | ZTCA001012N | DRIVE ROLLER |
| 6 | ZLTF502099 | UPPER FRAME BELT |

SPARE PARTS

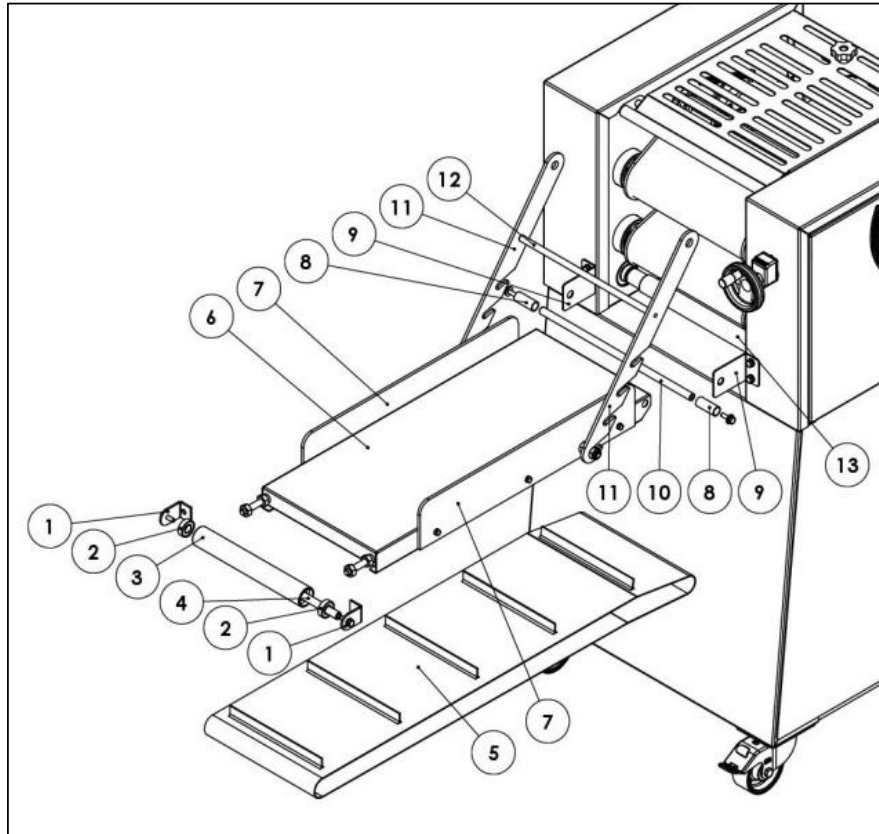
10.15 SPARE PARTS FOR LOWER MOULDER FRAME



| N° | CODE | DESCRIPTION |
|----|-------------|---------------------------------|
| 1 | ZLTF001081 | LOWER BELT FRAME SUPPORT |
| 2 | ZTDA001015 | FRAMES SPACER |
| 3 | ZTSS001060 | SUPPORT |
| 4 | ZTCS602132 | BEARING |
| 5 | ZTCA001012N | DRIVE ROLLER |
| 6 | ZFBF001046 | CONNECTING ROD OF COUNTERWEIGHT |
| 7 | ZTGA001003 | COUNTERWEIGHT ROLLER |
| 8 | ZTCS602131 | BEARING |
| 9 | ZTCA001009 | COUNTERWEIGHT SPACER |
| 10 | ZTTA001018 | LOWER FRAME ROD |
| 11 | ZLTF502098 | LOWER FRAME BELT |

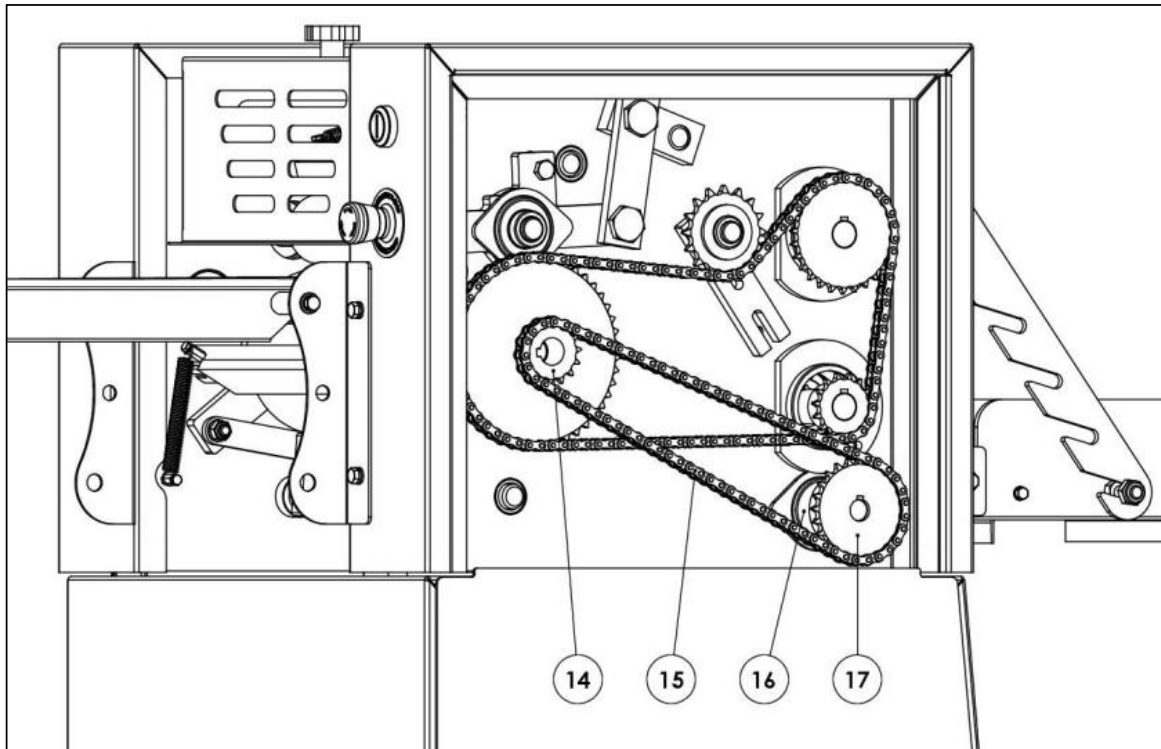
SPARE PARTS

10.16 OUTPUT FLOOR SPARE PARTS (OPTIONAL)



| N° | CODE | DESCRIPTION |
|----|-------------|---------------------------|
| 1 | ZSTLA01000 | CONV.BELT TIE ROD SUPPORT |
| 2 | ZTCS602131 | BEARING |
| 3 | ZTRA001020 | IDLER ROLLER |
| 4 | ZTAA001017 | ROUND IDLER ROLLER |
| 5 | ZLTF501101 | OUTPUT BELT |
| 6 | ZLPA0010032 | OUTPUT FLOOR |
| 7 | ZFPA01111 | OUTPUT FLOOR BULKHEAD |
| 8 | ZTSA001033 | SPACER |
| 9 | ZLPG001999 | TABLE SUPPORT |
| 10 | ZTTA001026 | SPACER |
| 11 | ZRLAV000 | SUPPORT BAR |
| 12 | ZRLAV001 | BAR SUPPORT |
| 13 | ZTCA001016 | OUTPUT SHAFT |

SPARE PARTS



| N° | CODE | DESCRIPTION |
|----|-------------|-------------|
| 14 | ZTCA004002 | PINION |
| 15 | ZTCA004003 | CHAIN |
| 16 | ZSBPFL01100 | SUPPORT |
| 17 | ZTCA004001 | PINION |