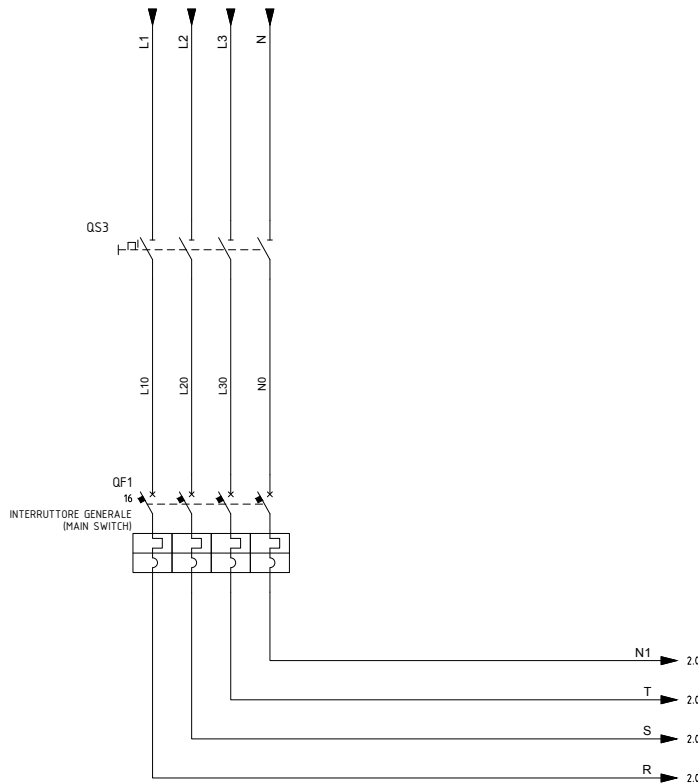


# ELECTRIC DIAGRAM

MR 1000 5 HP  
380 3PH +N / 60 Hz  
17.5 A 9.3 kW Icc 6kA



Power supply

# ELECTRIC DIAGRAM

MR 1000 5 HP  
380 3PH +N / 60 Hz  
17.5 A 9.3 kW Icc 6kA



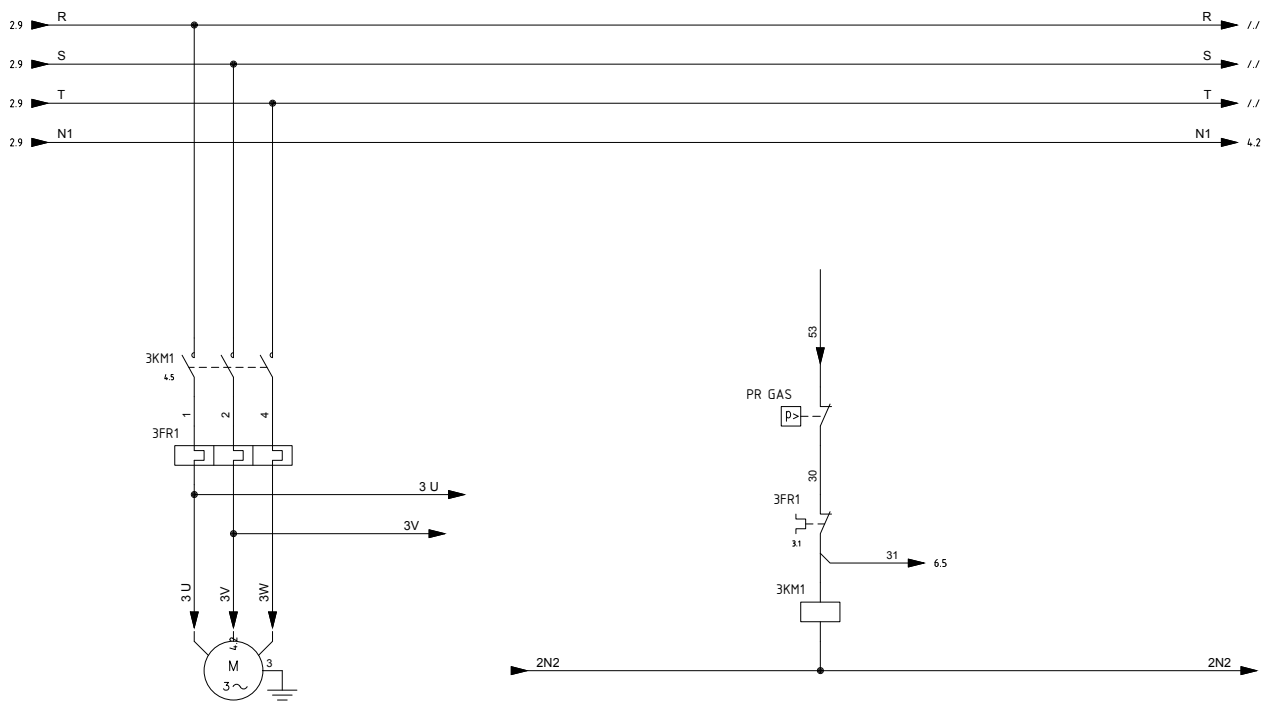
Single-phase supply

# ELECTRIC DIAGRAM

MR 1000 5 HP

380 3PH +N / 60 Hz

17.5 A 9.3 kW Icc 6kA

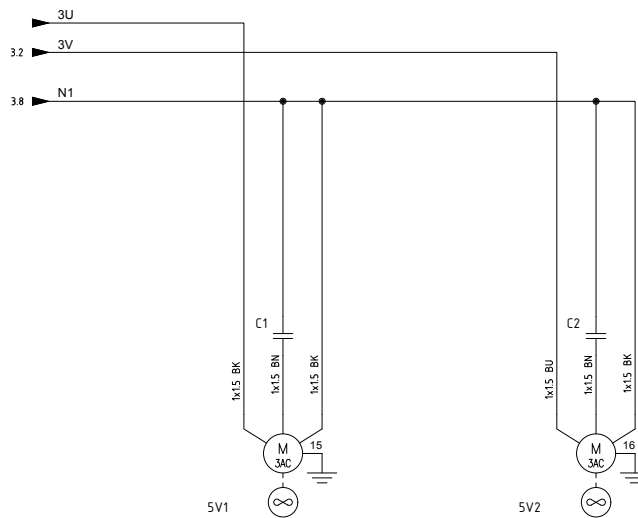


Compressor

MADE IN ITALY

# ELECTRIC DIAGRAM

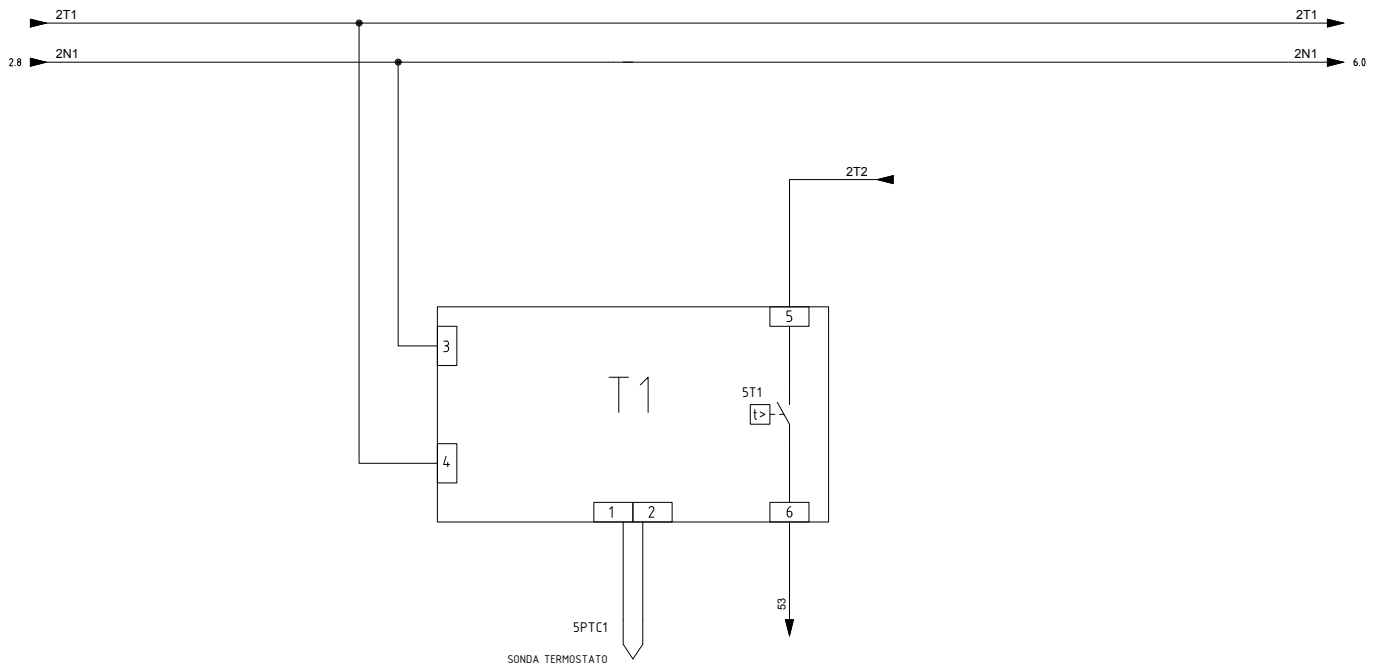
MR 1000 5 HP  
380 3PH +N / 60 Hz  
17.5 A 9.3 kW Icc 6kA



Fan

# ELECTRIC DIAGRAM

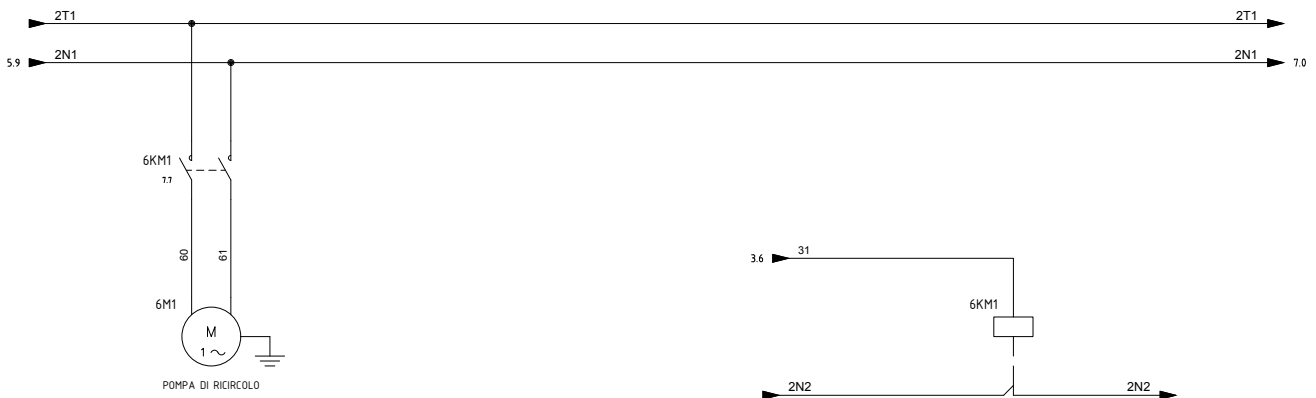
MR 1000 5 HP  
380 3PH +N / 60 Hz  
17.5 A 9.3 kW Icc 6kA



Termostato

# ELECTRIC DIAGRAM

MR 1000 5 HP  
380 3PH +N / 60 Hz  
17.5 A 9.3 kW Icc 6kA

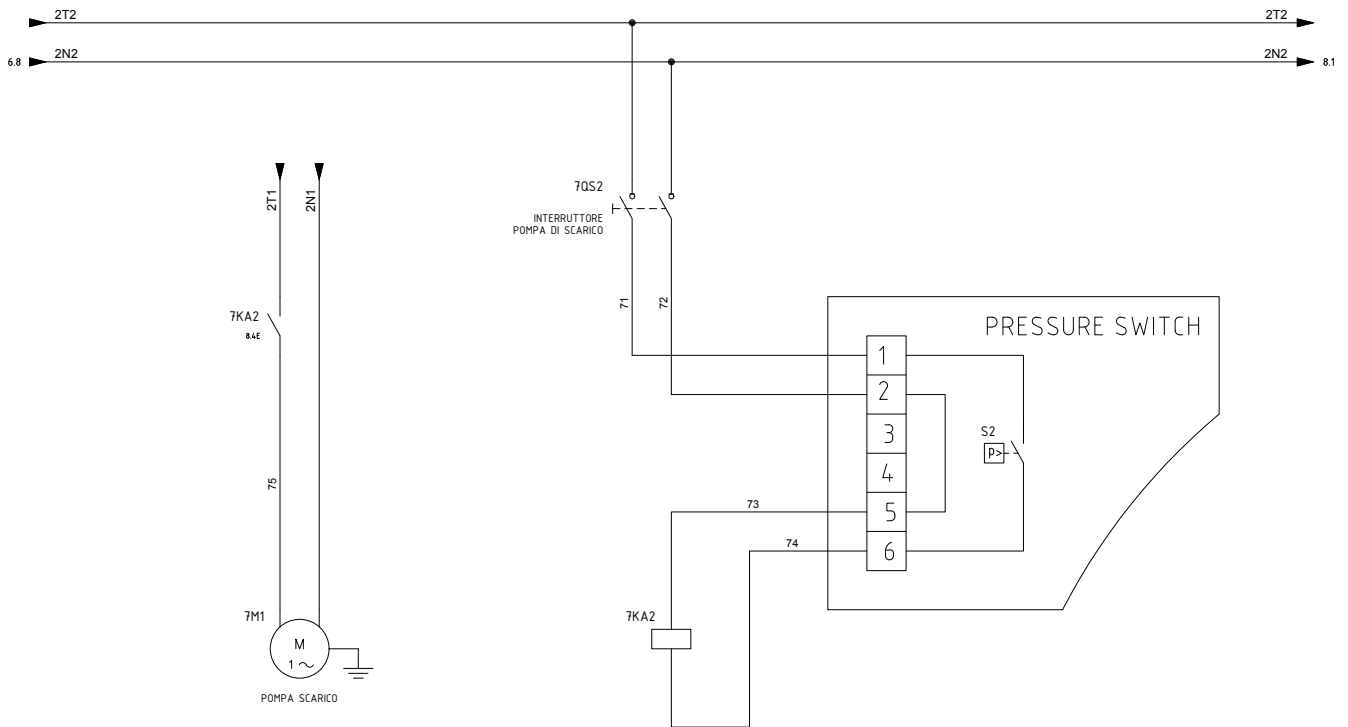


MADE IN ITALY

Ricirculation pumps

# ELECTRIC DIAGRAM

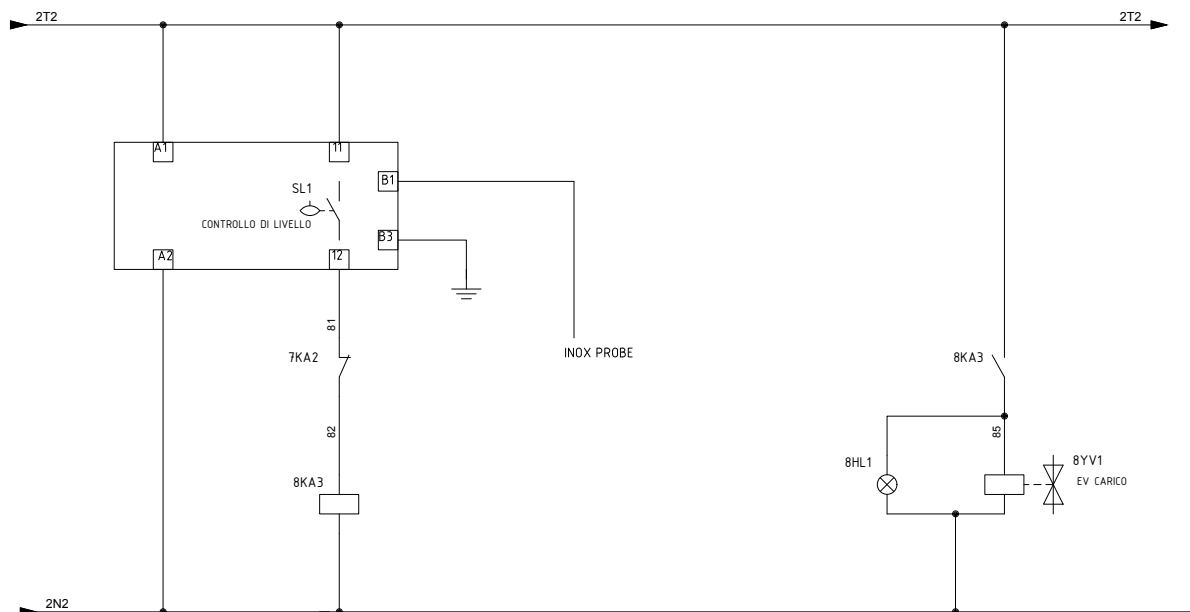
MR 1000 5 HP  
380 3PH +N / 60 Hz  
17.5 A 9.3 kW Icc 6kA



Drain pump

# ELECTRIC DIAGRAM

MR 1000 5 HP  
380 3PH +N / 60 Hz  
17.5 A 9.3 kW Icc 6kA



Water level switch



# ELECTRIC DIAGRAM

MR 1000 5 HP  
380 3PH +N / 60 Hz  
17.5 A 9.3 kW Icc 6kA

Nome/Item	Tipo/Type	Descrizione/Description	Costruttore/Marke	Quadro/Board	Fg/Sh	Q.ta/Q.ly
2 Q1	AV4417	RWB Rocker Switch	Rovi	=0G	3	1
3FR1	LRD21	RELE' TERMICO 12-18A	Schneider Electric	=0G	4	1
3KM1	LC1D12M7	CONTATTORE 12A 220VAC 50/	Schneider Electric	=0G	4	1
5PTC1	P1AA36P15NPS	SONDA PTC 6x30 1.5 m	SACET	=0G	6	1
5T1	3600030543	TERMOSTATO 6LANAN00LT	PEGO	=0G	6	1
5V1		Ventilatore trifase		=0G	5	1
5V2		Ventilatore trifase		=0G	5	1
6KM1	LC1D09M7	CONTATTORE 9A 220VAC 50/6	Schneider Electric	=0G	7	1
6M1	2414000046	POMPA AL-RED 135M-60HZ	Pedrollo	=0G	7	1
7KA2	601282300040	RELE' INDUSTRIALE	Finder	=0G	8	1
7M1	2414000046	POMPA AL-RED 135M-60HZ	Pedrollo	=0G	8	1
7QS2	AV4417	RWB Rocker Switch	Rovi	=0G	8	1
8HL1	3600030476	SPIA AMBRA 220 V	ARTELETA	=0G	9	1
8KA3	601282300040	RELE' INDUSTRIALE	Finder	=0G	9	1
8YV1	6700030023	ELETTROVALVOLA	CASTEL	=0G	9	1
C1		Condensatore		=0G	5	1
C2		Condensatore		=0G	5	1
FU1		Fusibile unipolare		=0G	3	1
PR GAS	017-h4758	PRESSOSTATO GAS H/L	RANCO	=0G	4	1
QF1	17555	Inf. Auf. C40N 3P+N 16A curva B	Schneider Electric	=0G	2	1
QS3		Sezionatore tetrapolare con dispositivo di blocco		=0G	2	1
S2	2414000047	EASYPRESS	Pedrollo	=0G	8	1
SL1	72018240000POA	CONTROLLO LIVELLO LIQUIDI 5...150KOHM 1CO	Finder	=0G	9	1
T1		Trasformatore di potenza a due avvolgimenti		=0G	3	1

Material list