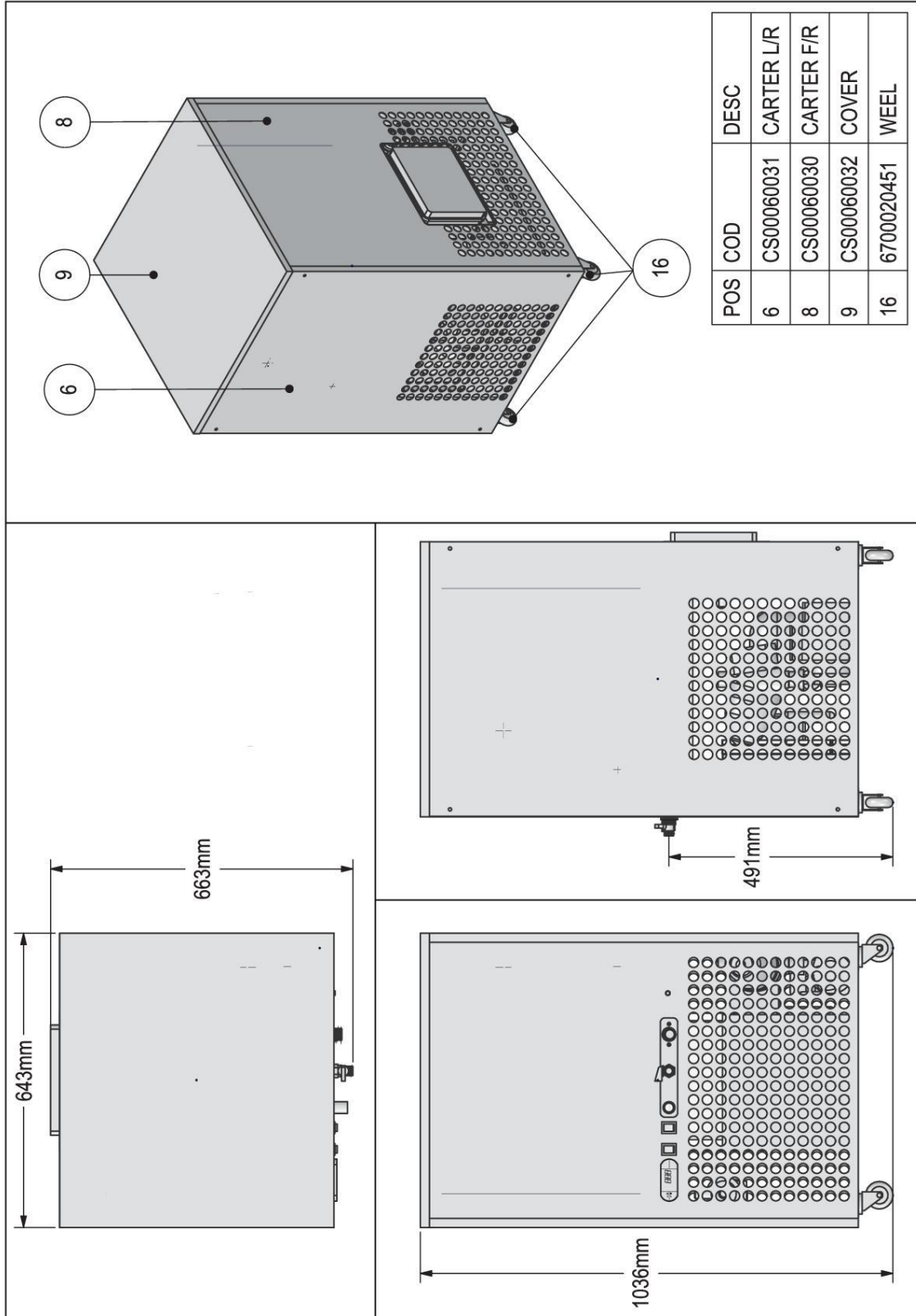
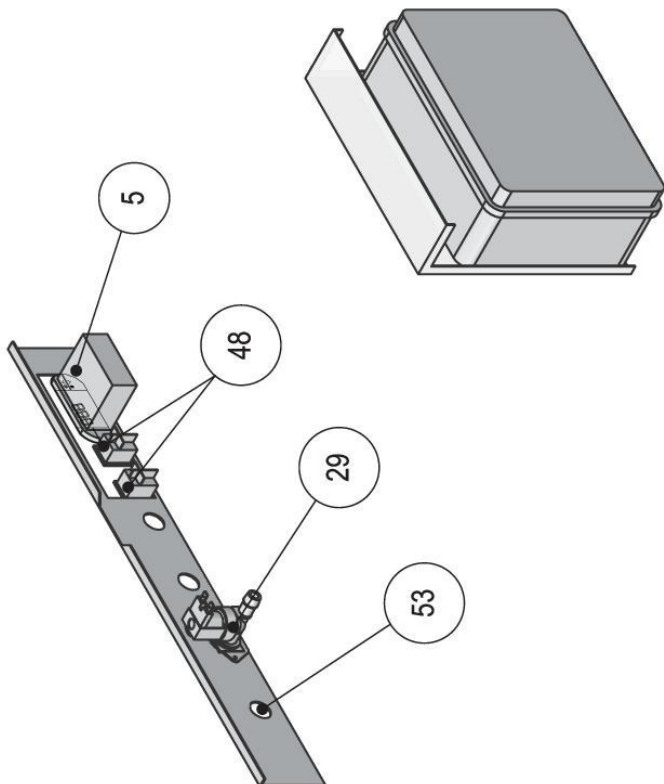


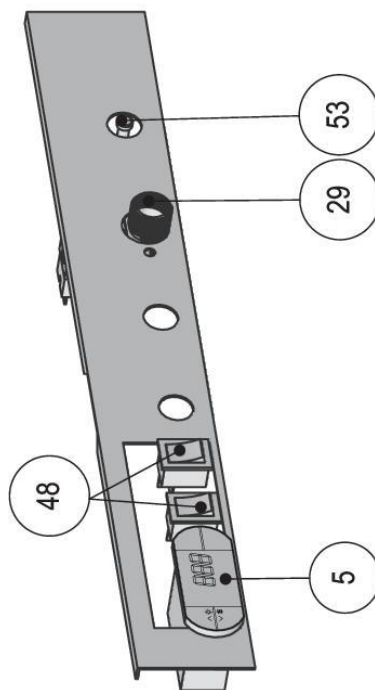
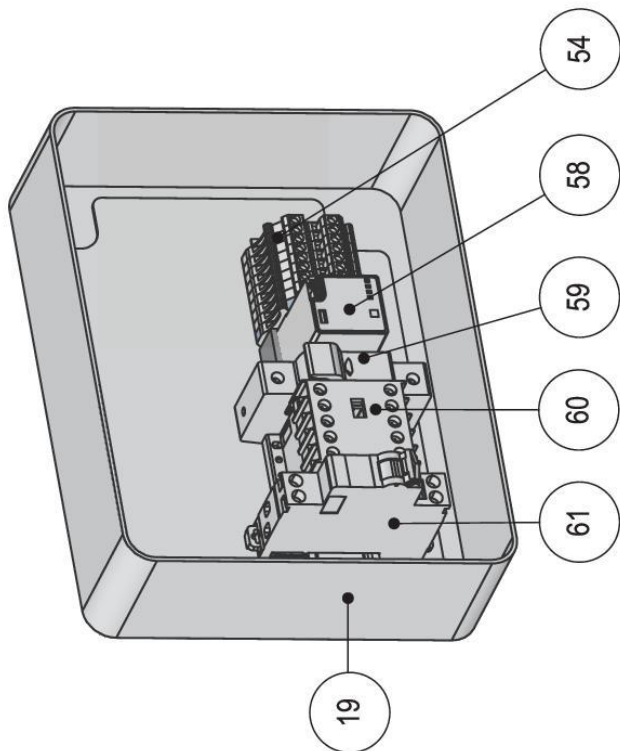
Here below you have a representation of the equipment with a basis description of the main units and on the installed components.

Water chiller



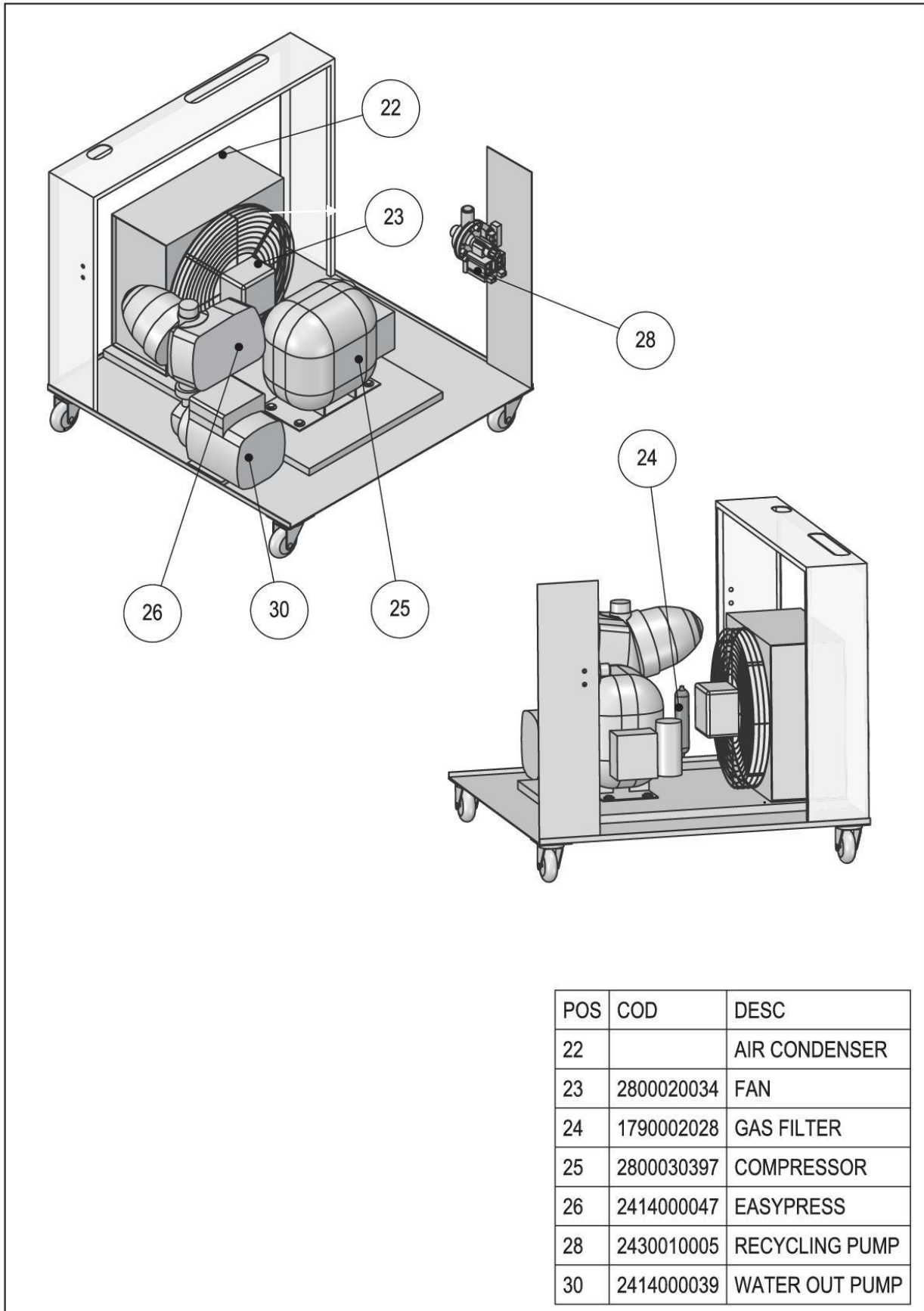


5	3600030543	THERMOSTAT
19	3600030116	PLASTIC BOX
29	2430010003	WATER IN SOLENOID
48	8400010002	SWITCH
53	3600030476	SIGNAL LIGHT
58	3600030440	RELE OCTAL
59	1140030005	FUSE BOX
60	3600030040	CONTACTOR
61	8400010002	SWITCH

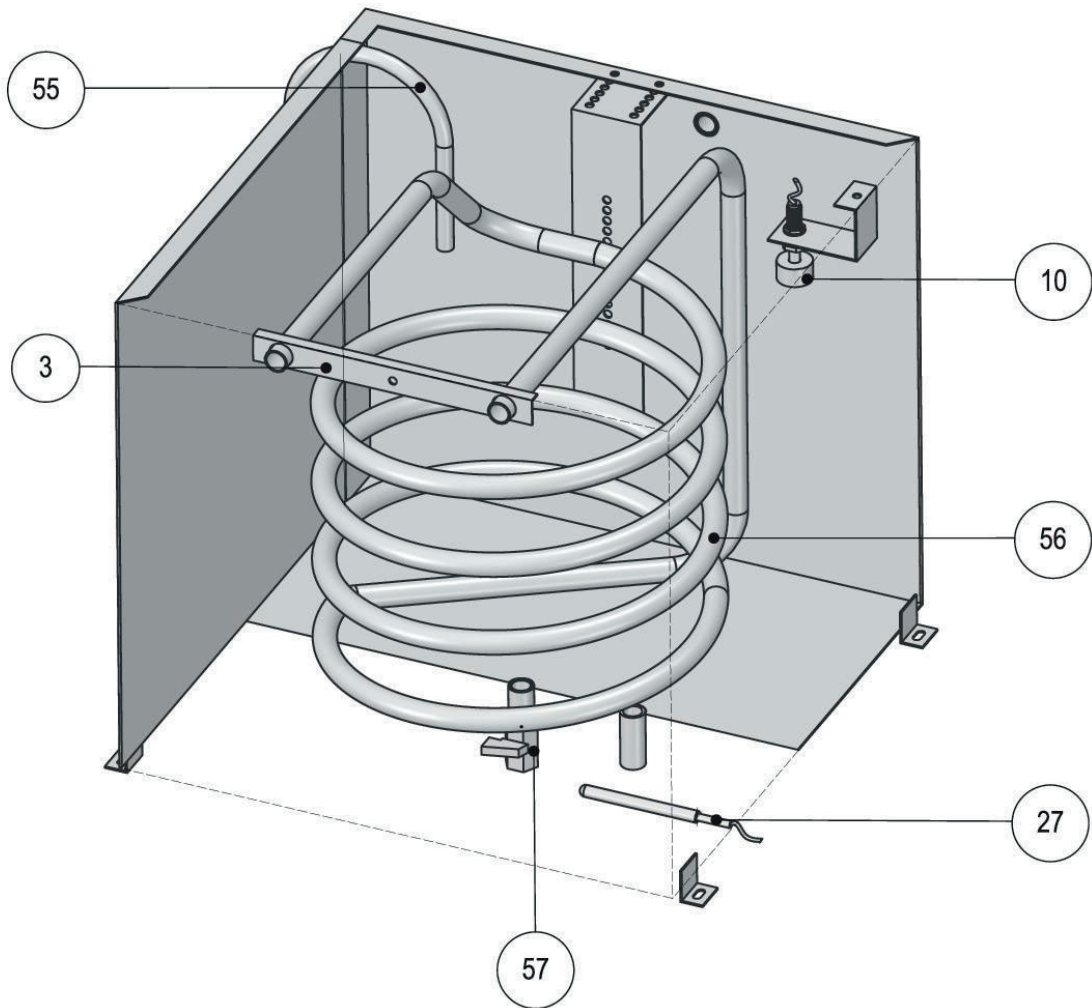


Refrigerating unit – Removed protections (Frontal inferior side)

Refrigerating system



Water chiller – Removed protections (upper side)



POS	COD	DESC
3	CS00090001	
10	1140010002	LEVEL SWITCH
27	2800030415	PTC PROBE
55	CS00020365	
56	CS00090050	EVAPORATOR
57	1560010134	TAP 1/2 F-F